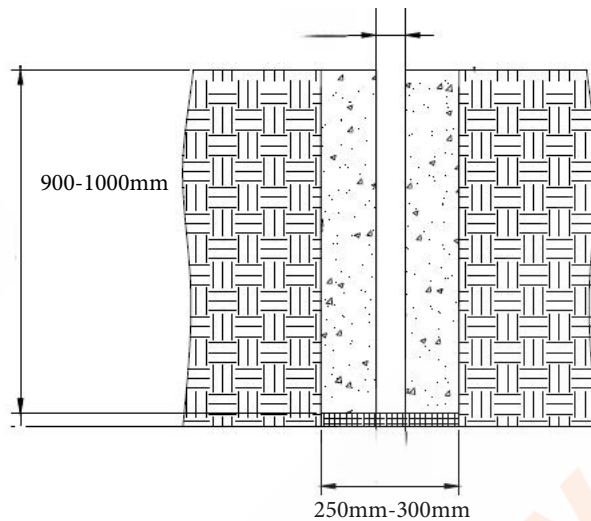


Pole Mount PM1 install guide.

Installing post.



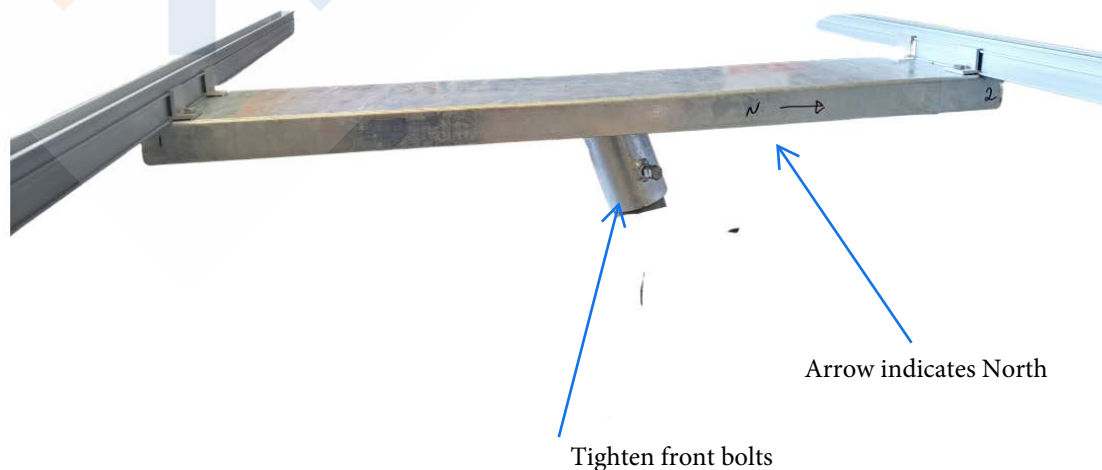
Post should be installed in a hole at a minimum of 900-1000mm x 250mm. If depth cannot be reached, hole should be widened to accommodate additional cement. Pole so have at least 1150mm above the surface with a recommendation of 1200mm. Orientation is not important but pole **should be bent end down**. A spirit level should be used to make sure pole is straight during installation.

***In medium to hard ground a 1-panel system should be around of 5-7 bags of rapid set.**

Once rapid set has dried to manufactures specification you can install the pole top and cross beam.

The array frame comes pre-assembled, simply install the frame with the lower end facing North. The frame will be marked with an N indicating the North Side. The sticker on the panel should be on the South side.

Once mounted the two front bolts can be tightened. Do not tighten the rear (South) bolt yet as this will be used later to mount the controller.



If Panel is not attached to frame.

If transport required the panel being separated from the frame, the rail will have been marked and lettered to indicate where the panel sits. The panel will have corresponding letters/marks to match up with the rail. The panel will always be installed with the sticker on the South side of the array.

**For attaching the panel to the rail please see the Universal Clamp guide on the next page.*

***If the rail is not attached to the support frame, additional assembly instructions are on the last page of this guide*

Wiring

Wiring is pretty straight forward. There is a positive and negative on the underside of the panel. These will join up to the MC4 cables from the controller.

The MC4 connectors coming from the panel will be a Male and a Female connector. The Male connector is + and the Female connector is -. These will click into their opposing MC4 connector coming from the controller.

**Controller should be installed and in the off position prior to connecting leads.*

You will have been provided with enough cable ties to secure the cables neatly underneath the panels. Cables should not be bent, stretched or be too tight. Attach them to either the aluminium or galvanised sections of the frame.



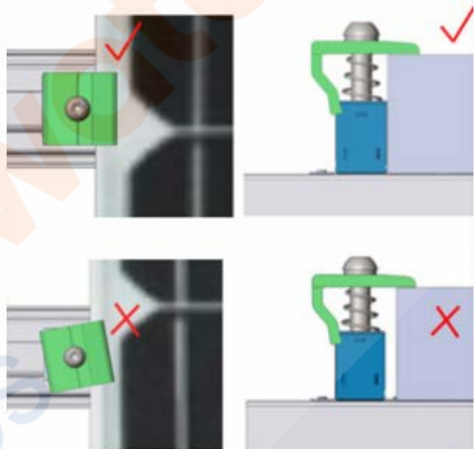
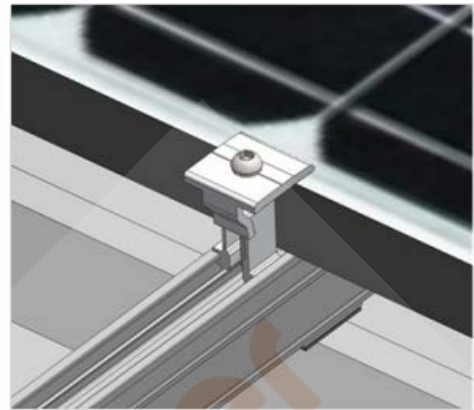
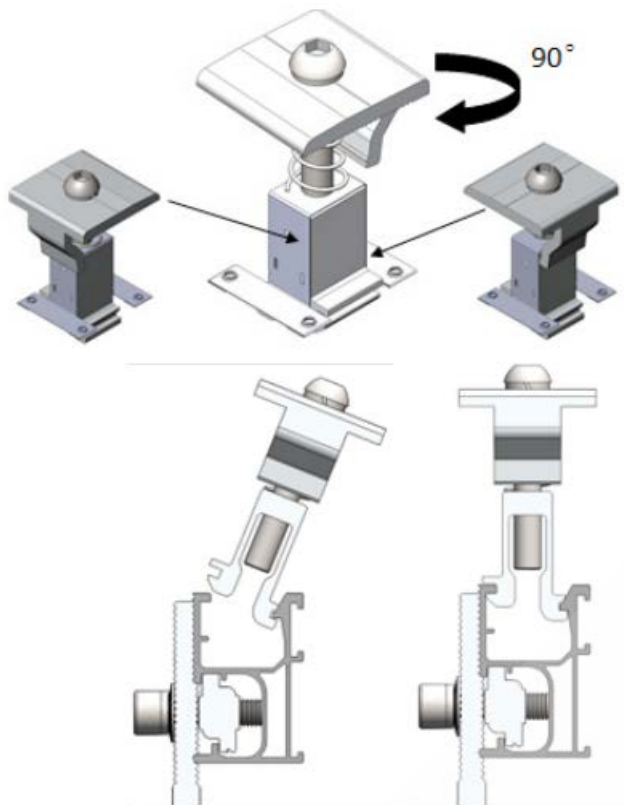
MC4 Connection to Controller

Cables ties loose cables to rail or frame



Front view assembled array.

Universal Clamp installation.



Click clamp in as shown in image.

Orientate top of clamp to suit end or middle clamping position.

**Image for illustration purposes only as rail and connecting clamp set up show a roof mount.*

Once panels are correctly in position tighten all clamps onto the panels. The recommended torque is 14-16NM for the end clamps and 16-18NM for middle clamps. If the clamp begins to twist your are likely over tightening.

Once all clamps are secure you can begin to wire up the array.

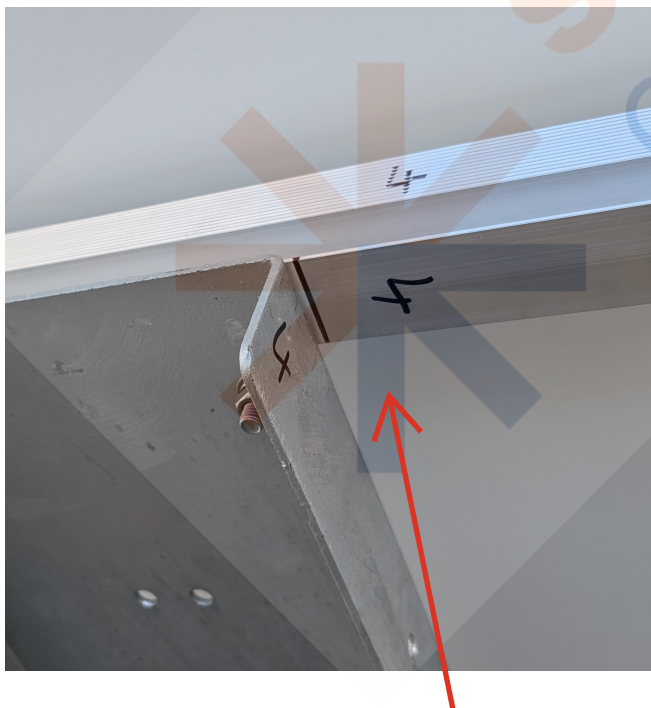
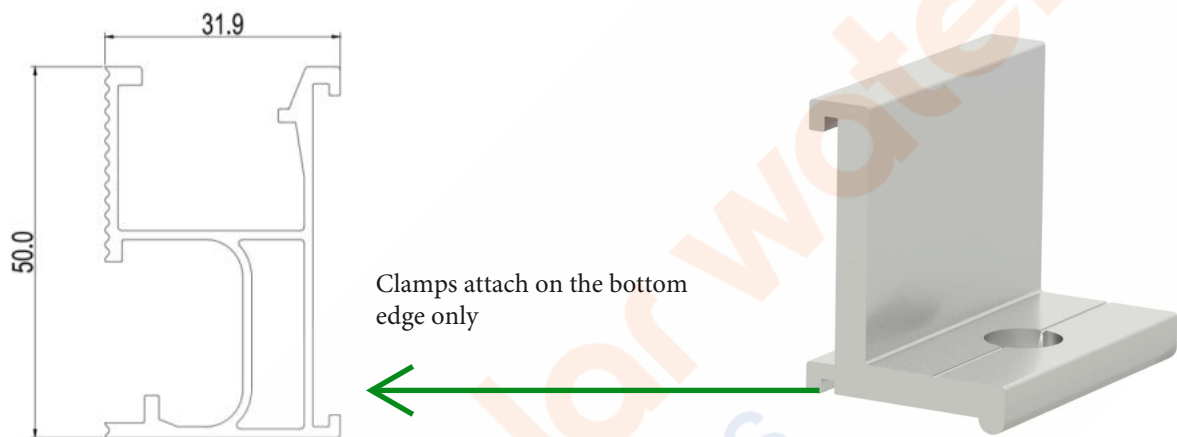
Additional instructions for array assembly.

Rail and support frame will be marked with numbers and a line will be marked on the rail edge to indicate where it matches up with the outer edge of the support frame.

Match up the numbers on rail with the numbers on the support frame and install the provided rail clamps as per the diagrams below. The rail is installed with the clamps towards the centre.

Attach rail to bracket with the cross connector clamps. Bottom teeth of the clamp will attach to the bottom fixing point on the rail. Once marks are lined up tighten clamps securely.

*please note top point of the clamp does not attach.



Numbered rail and frame with rail position marked



Clamps fixed in position

Once clamps are tightened and rail is in correct position, install the panel as per instructions on page 2.