

# ASSEMBLY INSTRUCTIONS

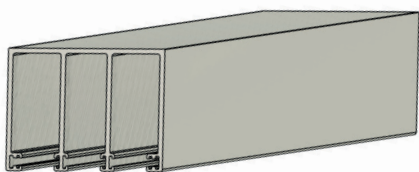
## FRAMELESS SLIDING DOORS

*Without full frame*



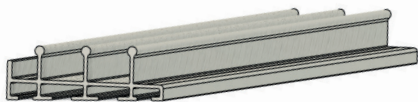
Tlf. (+45) 73 70 75 06

**1.**



**Important!**  
The bottom track must be supported across its entire surface.

Facing  
Inward 



**2.**


Screw the top and bottom tracks in place at the correct distance relative to the U-profile.

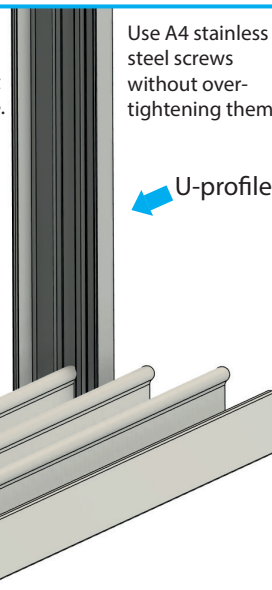
All screws must be installed 10 cm from the corner. Use 1 screw per door, both top and bottom.

Please note that the profiles have different lengths, as the bottom is angled. The outer profile is 2–4 mm longer.

The longest U-profile is installed in the outer track.  
The shortest U-profile is installed in the inner track.

Use A4 stainless steel screws without over-tightening them.

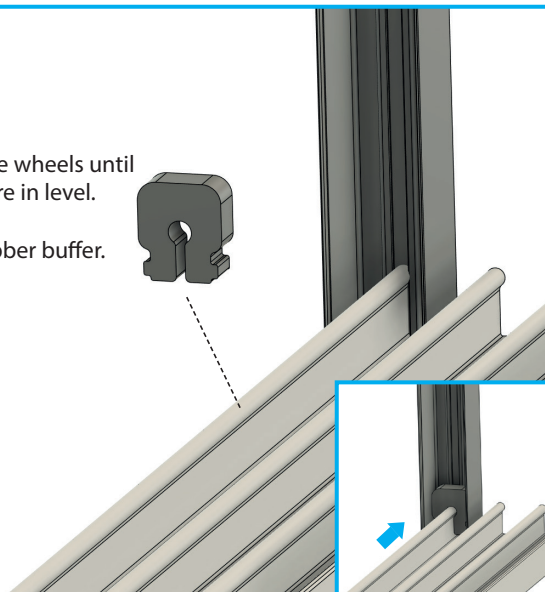
 U-profile



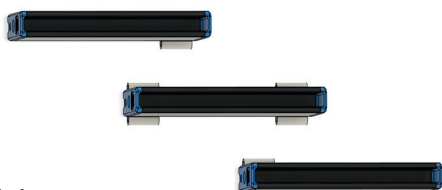
**3.**

1. Adjust the wheels until the doors are in level.

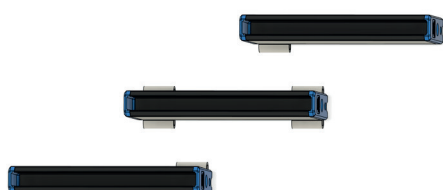
2. Insert rubber buffer.



**4.**

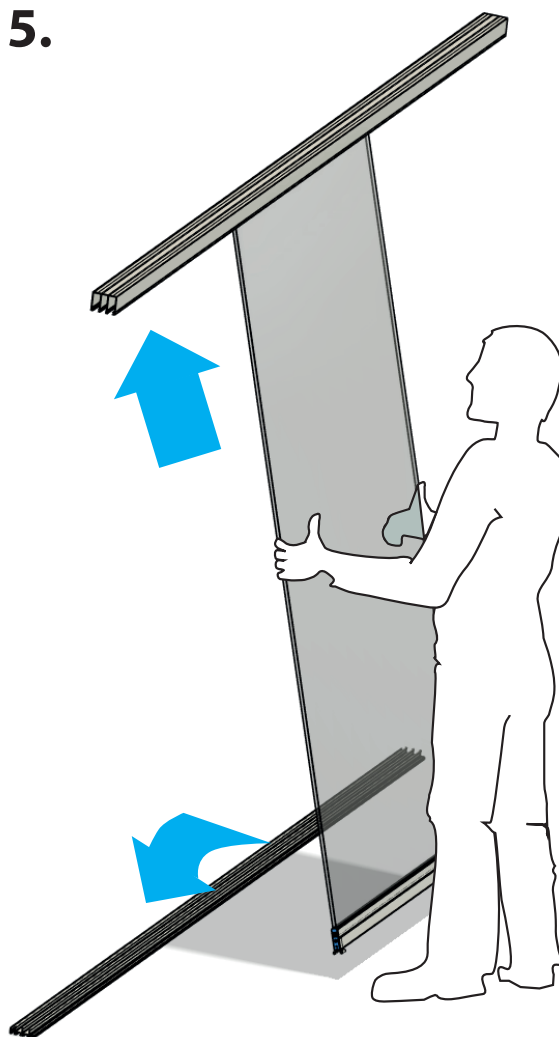


Right-hand doors



Left-hand doors

**5.**



Install the sliding doors by lifting them into the top track and then lowering them onto the wheels.  
Insert the next door so that they overlap each other.

**Congratulations on your new sliding doors**