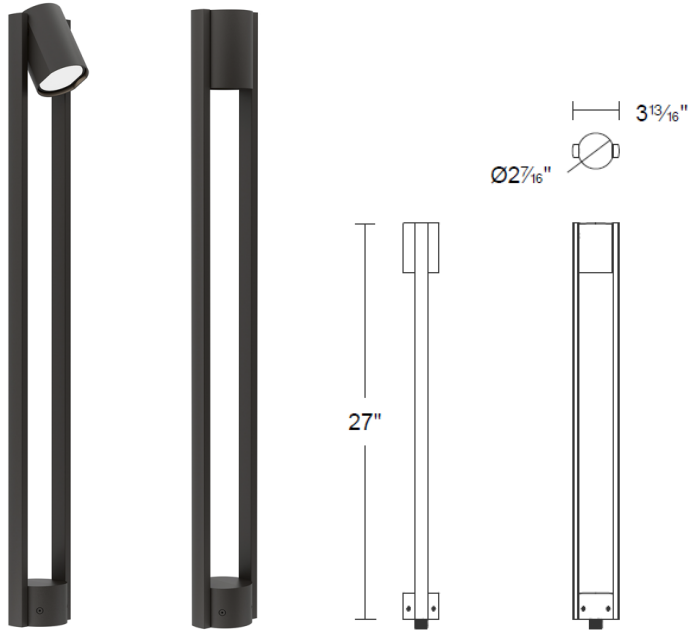


# BROUGH LED PATH LIGHT

6121-5CS

# WAC

## LANDSCAPE LIGHTING



Fixture Type:

Catalog Number:

Project: \_\_\_\_\_

Location: \_\_\_\_\_

### PRODUCT DESCRIPTION

A sleek, architectural path light designed to blend seamlessly into modern landscapes, offering adjustable directional lighting for enhanced functionality and scene customization. Features 5 CCT selectable options, ideal for upscale residential, hospitality, and commercial outdoor environments.

### FEATURES

- IP66 rated, Protected against powerful water jets
- Factory sealed water tight fixtures
- Corrosion resistant aluminum alloy
- Includes 14" Mounting stake, wire nuts, 6" lead wire
- UL & cUL 1838 Listed
- 5 CCTs Selectable: 2700K, 3000K, 3500K, 4000K, 5000K
- Adjustable directional light head  $\pm 90^\circ$

### SPECIFICATIONS

**Input:** 9-15VAC (Transformer is required)  
**Power:** 6.6W / 9.5VA (Use VA value for sizing the transformer and calculate voltage drop.)  
**Brightness:** Up to 335 lm  
**CRI:** 90  
**Rated Life:** 50,000 hours

### ORDERING NUMBER

		Color Temp	Finish
<b>6121</b>	<i>Brough</i>	<b>5CS</b> 27/30/35/40/50	<b>BZ</b> <i>Bronze on Aluminum</i> <b>BK</b> <i>Black on Aluminum</i>

**6121-5CS**\_\_\_\_\_

Example: **6121-5CSBK**

wacighting.com

Phone (800) 526.2588

Fax (800) 526.2585

**Headquarters, East Manufacturing Facility**

44 Harbor Park Drive

Port Washington, NY 11050

**South East Manufacturing Facility**

1600 Distribution Ct

Lithia Springs, GA 30122

**Central Manufacturing Facility**

1700 South J Elmer Freeway, Ste 100

Cedar Hill, TX 75104

**West Manufacturing Facility**

1750 S Archibald Ave

Ontario, CA 91761