

INSTALLATION INSTRUCTION

Deck

3011/3021/3031/3041

WAC
LANDSCAPE LIGHTING

WARNING

IMPORTANT: NEVER attempt to do any work without shutting off the electricity.

1. Read all instructions before installing.
2. System is intended for installation by a qualified electrician in accordance with the National Electrical Code and local regulations.
3. Place the wall switch in the "OFF" position.
4. Go to the main fuse box, or circuit breaker. Unscrew the fuse(s) or switch "OFF" the circuit breaker switch(es) that control the power to the space that you are working on.

CAUTION

- All parts must be used as indicated in these instructions. Do not substitute any parts, leave parts out, or use any parts that are worn out or broken. Failure to follow this instruction may invalidate the UL/cUL listing of this fixture.

AVERTISSEMENT

IMPORTANT : Coupez l'électricité avant TOUTE manipulation.

- Lisez toutes les instructions avant d'installer.
- Système est destiné à être installé par un électricien qualifié en conformité avec le code national de l'électricité et les règlements locaux.
- Placez l'interrupteur mural en position d'arrêt (« OFF »).
- Toujours mettre le fusible ou le disjoncteur en position arrêt dans la pièce ou des travaux électriques sont prévus

MISE EN GARDE

- Toutes les pièces doivent être utilisées tel qu'il est indiqué dans ces instructions. Ne remplacez pas les pièces, n'en laissez pas de côté et ne les utilisez pas si elles sont usées ou brisées. Le non-respect de ces instructions peut annuler l'homologation ETL/cETL du luminaire.

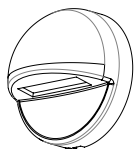
ADVERTENCIA

IMPORTANTE: NUNCA intente hacer trabajos sin desconectar el suministro eléctrico.

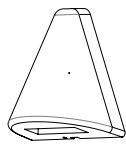
- Lea y comprenda todas las instrucciones e ilustraciones por completo antes de proceder con el ensamblaje e instalación de esta lámpara.
- Sistema está diseñado para ser instalado por un electricista calificado, de acuerdo con el código eléctrico nacional y las normas locales.
- Coloque el interruptor de la pared en la posición "OFF" (APAGADO).
- Diríjase a la caja de fusibles o a la caja del interruptor de circuito principal en su hogar. Coloque el interruptor de alimentación principal en la posición "OFF" (APAGADO).

PRECAUCIÓN

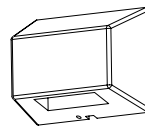
- Todas las piezas deben usarse como lo indican estas instrucciones. No reemplace las piezas, no omita piezas durante la instalación ni utilice piezas gastadas o rotas. El incumplimiento de esta indicación podría invalidar la calificación UL/cUL esta lámpara.



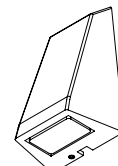
3011



3021

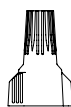


3031

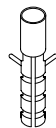


3041

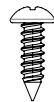
*Note: Transformer is required to power the fixture. (sold separately)



Outdoor Rated Wire Nut
Qty: 2pcs



Plastic Anchor
Qty: 2pcs



Mounting Screw
Qty: 2pc



Hex Screw
Qty: 1pc



Ball Ended Hex Key
Qty: 1pc

waclighting.com

Phone (800) 526.2588

Fax (800) 526.2585

Headquarters/Eastern Distribution Center

44 Harbor Park Drive

Port Washington, NY 11050

Central Distribution Center

1600 Distribution Ct

Lithia Springs, GA 30122

Western Distribution Center

1750 Archibald Avenue

Ontario, CA 91761



INSTALLATION INSTRUCTION

Deck

3011/3021/3031/3041

WAC
LANDSCAPE LIGHTING

STEP 1: DETERMINE MOUNTING POSITION

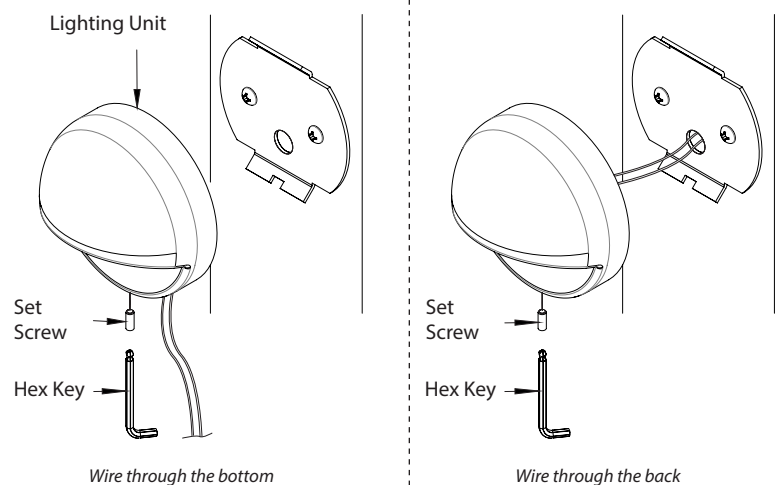
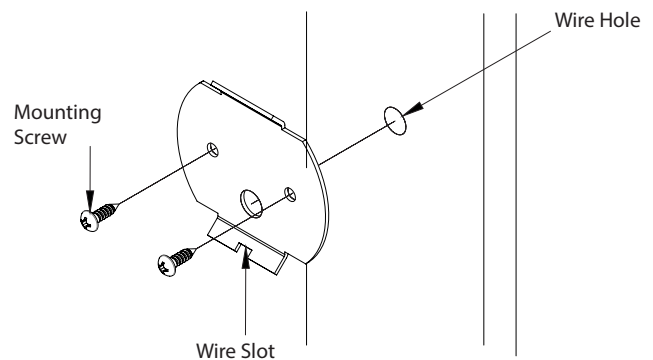
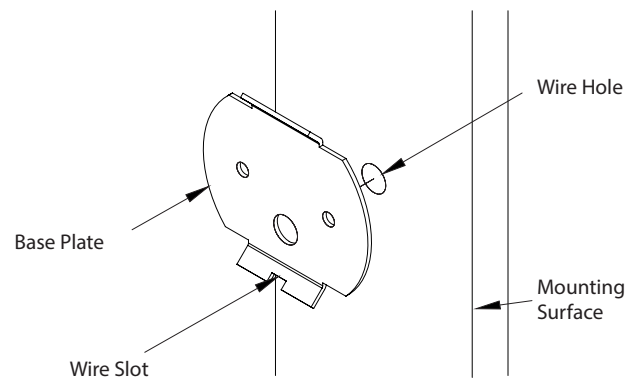
1. Place Base Plate in desired position on mounting surface.
2. Mark the centers of the three holes onto the mounting surface and remove Base Plate.
3. If planning on leading the wire down the backside of the mounting surface, use a 1/4" drill bit to drill a wire hole located at the middle marking. Make sure to drill through the entire mounting surface.

STEP 2: LEADING THE WIRE

4. Using mounting screw to mount the base plate onto the surface, aligning the three holes with the markings.
5. If planning on leading the wire down the front side of the mounting surface, guide wires from the lighting unit through the slot at the bottom of the base plate.
6. If planning on leading the wire down the back side of the mounting surface, feed the wires from the lighting unit through the drilled hole in **Step 1** before leading them on the other side of the mounting surface.

STEP 3: ATTACHING THE LIGHTING UNIT

7. After the wires are in the right place, align the top and bottom of the lighting unit with the top and bottom of the base plate respectively.
8. Push the lighting unit onto the plate until the rim of the lighting unit is flush with the mounting surface.
9. Use provided Hex key to screw in the set screw and secure the lighting unit in place.



Shown diagrams for model # 3011

waclighting.com

Phone (800) 526.2588

Fax (800) 526.2585

Headquarters/Eastern Distribution Center

44 Harbor Park Drive

Port Washington, NY 11050

Central Distribution Center

1600 Distribution Ct

Lithia Springs, GA 30122

Western Distribution Center

1750 Archibald Avenue

Ontario, CA 91761



INSTALLATION INSTRUCTION

Deck

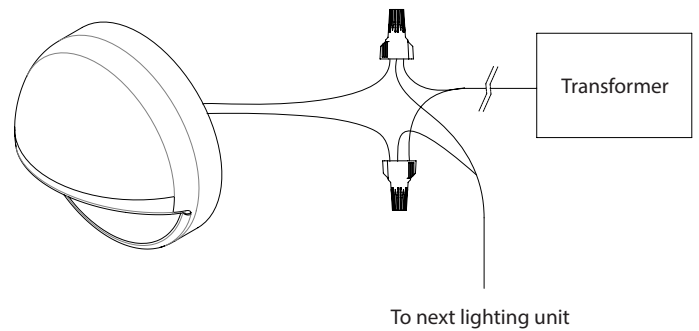
3011/3021/3031/3041

WAC
LANDSCAPE LIGHTING

STEP 4: WIRING THE LIGHTING UNIT

**Note: Transformer is required to power the fixture. (sold separately)*

1. Cut the power supply wire from the transformer at the location of the lighting unit.
2. Separate the power supply wire into two individual wires by lightly pulling on each side so that a couple inches is separated.
3. Strip off ½ inch of the insulating material from each wire and connect one to each of the wires from the lighting unit using the outdoor rated direct burial wire nuts provided.



waclighting.com
Phone (800) 526.2588
Fax (800) 526.2585

Headquarters/Eastern Distribution Center
44 Harbor Park Drive
Port Washington, NY 11050

Central Distribution Center
1600 Distribution Ct
Lithia Springs, GA 30122

Western Distribution Center
1750 Archibald Avenue
Ontario, CA 91761

