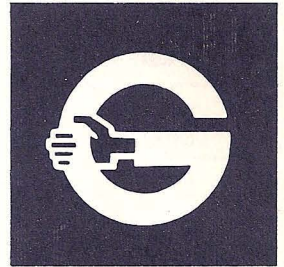




**GIRLING** Sales & Service  
**GIRLING/DUNLOP SERVICE**  
**PARTS CATALOGUE**



# **GIRLING/DUNLOP SERVICE PARTS CATALOGUE**

In November, 1965, Girling Limited acquired the Car and Commercial brake division of The Dunlop Rubber Company Limited, and took over the manufacture, marketing and servicing of the Dunlop brake.

Over a period of years, the Dunlop part numbers have been integrated with the Girling system, and this catalogue gives relevant details of the brakes fitted to private cars using the Dunlop system. It does not include commercial or "off the road" vehicle brake equipment.

The catalogue is divided into four sections as follows: -

1. **VEHICLE APPLICATIONS**

This section gives details of all serviceable components both mechanical and hydraulic. All vehicles in this section are listed in alphabetical order under the name of the vehicle manufacturer.

2. **ILLUSTRATIONS**

The illustrations contained in this section are typical examples and refer to the vehicles listed in the first section.

3. **NUMERICAL APPLICATIONS**

The part numbers in this section are listed in numerical order and show the Girling number, component name, vehicle application and Dunlop part number.

4. **DUNLOP/GIRLING CROSS REFERENCE LIST**

This section lists the Dunlop part numbers in numerical order and the Girling equivalent.

---

## **INDEX**

VEHICLE APPLICATION	PAGE 1-26
ILLUSTRATIONS	PAGE 27-32
NUMERICAL APPLICATIONS	PAGE 33-39
DUNLOP GIRLING CROSS REFERENCE LIST	PAGE 40-42



ALFA ROMEO	GIULIA SPRINT G.T.	1963 - 1967
ALFA ROMEO	GIULIA SPRINT GTA	1965 - 1967
ALFA ROMEO	GIULIA TI	1963 - 1967
ALFA ROMEO	GIULIA TI SUPER	1963 - 1967
ALFA ROMEO	GIULIA 1300	1964 - 1967

ILLUSTRATION SIZE AND TYPE	No. 2 SERIES III	ILLUSTRATION SIZE AND TYPE	No. 3 SERIES IV
BASIC CALIPER LH BASIC CALIPER RH	64033070 64033071	CALIPER & HANDBRAKE LH CALIPER & HANDBRAKE RH	64033072 64033073
DISC	64328506	49 DISC	64328508
CALIPER BODY & PISTON Piston	64328425 64328434	29 LEVER ASSEMBLY 32 Adjusting Nut 34 Friction Spring 36 Pawl Assembly 41 Inspection Cover 42 Screw 26 Tie Bolt 27 Dust Cover 28 Carrier Pin 25 Pivot Pin 13 Fulcrum Pin 14 Washer 15 Split Pin 16 Retraction Plate 17 Retraction Plate	64328470 64328479 64328055 64328484 64328473 64150759 64328461 64328463 64328459 64328462 64328460 64140364 64150078 64328467 64328468
PISTON & CYL. ASSY. LH PISTON & CYL. ASSY. RH SERVICE KIT Bleed Screw Washers Set Bolts Bridge Pipe Assy. LH Bridge Pipe Assy. RH	64328426(1 $\frac{7}{8}$ "") 64328427(1 $\frac{7}{8}$ "") SP 2553 64470444 64140119 64328357 64476194 64476195	9 PAD ASSEMBLY 3 Pad Guide 4 Tie Strut 6 Bolt 8 Washer 5 Nut 7 Bolt 45 CYLINDER LH 46 CYLINDER RH Service Kit 48 Bleed Screw 44 Push Rod 22 HANDBRAKE LEVER 43 Spring 20 Link inner 21 Link outer 23 Pin 24 Hinge Pin 14 Washer 15 Split Pin	64328471PV 64328472 64328451 64328180 40-S-32 64100700 64328373 64068551( $\frac{1}{2}$ "") 64068551( $\frac{1}{2}$ "") see note below 64470444 64328456 64328454 64328457 64328453 64328452 64328458 64328455 64140364 64150078
PAD ASSEMBLY Pad Support Pad Support Washer Set Screw Bolt Washer Nut Pad Retaining Pin Pin Retaining Clip	64932386NM 64328351 64328353 64328356 64328355 64130923 64140363 64120266 64328433 64325009	<p><b>NOTE!</b> Dunlop Cylinders 64676245/6 (VB 20056A/B) are no longer available. They can be serviced by Service Kit SP 2575. A Girling Replacement Cylinder is available 64068551, which is handed by the position of the Bleed Screw. The Girling Cylinder is serviced by Service Kit SP 2700.</p>	
ACTUATION ORIGINAL DUNLOP MASTER CYLINDER  SERVICEKIT SERVICE REPLACEMENT MASTER CYLINDER SERVICE KIT Supply Tank H.P. Hose Front H.P. Hose Rear	BRAKE  (64068585) No longer available SP 9000  64066202 SP 2772  64047679  64047359(13 $\frac{1}{2}$ "") 64047386(13 $\frac{1}{2}$ "")		



**ALFA ROMEO**

TZ Competition  
1963 - On

**ALVIS 3 Litre**

TD 21  
1961 - 1964

**ASTON MARTIN**

DB 4  
1959 - October 1960

ILLUSTRATION SIZE AND TYPE	FRONT No. 1 SERIES II	REAR No. 1 SERIES II	FRONT No. 1 SERIES II	REAR No. 1 SERIES II	FRONT No. 1 SERIES II	REAR No. 1 SERIES II
	CALIPER ASSY. LH CALIPER ASSY. RH	64033086 64033087	64033090 64033091	64033006 64033007	64033010 64033011	64033006 64033007
DISC	Supplied by Alfa Romeo		64328492	64328494	64328802	64328817
PISTON & CYL. ASSY. SERVICE KIT Washer Bolt Bleed Screw Bridge Pipe Assy. LH Bridge Pipe Assy. RH	64932049(1 $\frac{7}{8}$ "") SP 2554 64140362 64110558 SP 2570 No longer available No longer available	64932063(1 $\frac{1}{2}$ "") SP 2555 64140362 64110558 SP 2570	64932067(2 $\frac{1}{8}$ "") SP 2556 64140119 64110558 SP 2570 64476164 64476165	64932066(1 $\frac{3}{4}$ "") SP 2557 64140119 64110558 SP 2570 64476167 64476168	64932067(2 $\frac{1}{8}$ "") SP 2556 64140119 64110558 SP 2570 64476164 64476165	64326364(1 $\frac{3}{8}$ "") SP 2558 64140119 64110558 SP 2570 64476174 64476173
PAD ASSEMBLY Support Plate Keep Plate Keep Plate Pin Clip Bolt Washer Nut Shim Shim	64328577NM 64328004 64328005 64320646 64325009	64328577NM 64328004 64328005 64320646 64325009	64328263LP 64328004 64328085  64110561 64140119 64100080	64328263LP 64328004 64328085  64110561 64140119 64100080 64328092 64328093	64328263LP 64328004 64328085  64110561 64140119 64100080	64328263LP 64328004 64328085  64110561 64140119 64100080
ILLUSTRATION HANDBRAKE		No. 5 Mk.1 Manual		No. 6 Auto Adjust		No. 4 Early Type
HANDBRAKE ASSY. LH HANDBRAKE ASSY. RH		No longer available		No longer available		No longer available
PAD ASSEMBLY Adjuster Bolt Locknut Pivot Seat Pivot Pin Washer Split Pin Friction Spring Adjuster Nut Pawl Assembly Spring Screw Return Spring Retraction Plate Tab Washer Hinge Bolts		64932129LQ 64328173 64100181 64328159 64328174 64320362 64150753		64932129LQ 64328114  64328055 64328054 64328051 64328052 64130921 64328056 64328115 64328116 64328076		64932310LQ 64328173 64100181 64328159 64328174 64140362 64150753  64328790 64328789
ACTUATION	BRAKE		BRAKE		BRAKE	
ORIGINAL DUNLOP MASTER CYLINDER  SERVICE KIT  SERVICE REPLACEMENT MASTER CYLINDER  SERVICE KIT  Supply Tank  H.P. Hose Front H.P. Hose Rear	64068742  SP 9004		VBM 4042  SP 9008  64068593 All orders must be referred to Red Triangle, Auto Services, Common Lane, Kenilworth  SP 2469  64047211  64047670(12"") 64047675(15 $\frac{3}{8}$ "")		64068703 No longer available SP 9008  64068340  SP 2649  64047676(15 $\frac{1}{2}$ "") 64046088(16 $\frac{1}{2}$ "")	



**ASTON MARTIN**

D B 4  
November 1960  
-September 1964

**ASTON MARTIN**

D B 4  
October 1964 on

**B.M.W.**

502 & 507  
1960 - 1961

ILLUSTRATION SIZE AND TYPE	ASTON MARTIN		ASTON MARTIN		B.M.W.	
	FRONT No. 1 SERIES II	REAR No. 1 SERIES II	FRONT No. 1 SERIES II	REAR No. 1 SERIES II	FRONT No. 1 SERIES II	
CALIPER ASSY. LH CALIPER ASSY. RH	64033012 64033013	64033150 64033151	64033006 64033007	64033156 64033157	64033126 64033127	
DISC	64328819	64328817	64328819	64328817	Supplied by BMW	
PISTON & CYL. ASSY. SERVICE KIT Washer Bolt Bleed Screw Bridge Pipe Assy. LH Bridge Pipe Assy. RH	64329317(2 $\frac{1}{8}$ "") SP 2556 64140120 64110562 SP 2570 64476169 64476170	64932066(1 $\frac{3}{4}$ "") SP 2557 12437 64110558 SP 2570 64476174 64476173	64932067(2 $\frac{1}{8}$ "") SP 2556 64140119 64110558 SP 2570 64476164 64476165	64932065(1 $\frac{3}{8}$ "") SP 2559 64140119 64110558 SP 2570 64476174 64476173	64329312(2 $\frac{1}{4}$ "") SP 2562 64140119 64110558 SP 2570 64476164 64476165	
PAD ASSEMBLY Support Plate Keep Plate Bolt Washer Nut Shim Shim Keep Plate Pin Clip	64328127LP 64328129 64328130 64110561 64140119 64100080 64328131 64328132	64328263LP 64328004 64328085 64110561 64140119 64100080 64328092 64328093	64328263LP 64328004 64328085 64110561 64140119 64100080	64328263LP 64328004 64328085 64110561 64140119 64100080	64328084 NV 64328004 64328005      64320646 64325009	
ILLUSTRATION HANDBRAKE		No. 5 Mk.I Manual		No. 5 Mk.I Manual		
HANDBRAKE ASSY. LH HANDBRAKE ASSY. RH		64932122 64932123		64932122 64932123		
PAD ASSEMBLY Adjuster Bolt Locknut Pivot Seat Pivot Pin Washer Split Pin Retraction Plate Tab Washer Hinge Bolts		64932129LQ  64328173 64100181 64328159 64328174 64140362 64150753 64328115 64328116 64328076		64932129LQ  64328173 64100181 64328159 64328174 64140362 64150753 64328115 64328116 64328076		
ACTUATION	BRAKE		BRAKE			
ORIGINAL DUNLOP MASTER CYLINDER  SERVICE KIT  SERVICE REPLACEMENT MASTER CYLINDER  SERVICE KIT  H.P. Hose front H.P. Hose rear	64068703 No longer available SP 9008  64068340  SP 2649  64047676(15 $\frac{1}{2}$ "") 64046088(16 $\frac{1}{2}$ "")		64068703 No longer available SP 9008  64068340  SP 2649  64047676(15 $\frac{1}{2}$ "") 64046088(16 $\frac{1}{2}$ "")			



**BRISTOL**

407 & 408  
1961 - 1965

**DAIMLER**


MAJESTIC MAJOR  
1960 ON

**DAIMLER**

LIMOUSINE DR 450  
1961 ON

ILLUSTRATION SIZE AND TYPE	FRONT No. 1	REAR No. 1	FRONT No. 1	REAR No. 1	FRONT No. 1	REAR No. 1
	SERIES II	SERIES II	SERIES II	SERIES II	SERIES II	SERIES II
CALIPER ASSY. LH CALIPER ASSY. RH	64033006 64033007	64033142 64033143	64033012 64033013	64033032 64033033	64033012 64033013	64033032 64033033
DISC	No longer Available		64328496	64328498	64328496	64328498
PISTON & CYL. ASSY. SERVICE KIT Washer Bolt Bleed Screw Bridge Pipe Assy. LH Bridge Pipe Assy. RH	64932067(2 $\frac{1}{8}$ "") SP 2556 64140119 64110558 SP 2570 64476164 64476165	64932063(1 $\frac{1}{2}$ "") SP 2555 64140119 64110558 SP 2570 64476167 64476168	64329317(2 $\frac{1}{8}$ "") SP 2556 64140120 64110562 64476169 64476170	64932065(1 $\frac{3}{8}$ "") SP 2559 64140119 64110558 SP 2570 64476167 64476168	64329317 (2 $\frac{1}{8}$ "") SP 2556 64140120 64110562 SP 2570 64476169 64476170	64932065(1 $\frac{3}{8}$ "") SP 2559 64140119 64110558 SP 2570 64476167 64476168
PAD ASSY. Support Plate Keep Plate Bolt Washer Nut Keep Plate Pin Clip Shim Shim	64329279QF 64328004 64328085 64110561 64140119 64100080	64329279QF 64328004 64328085 64110561 64140119 64100080	64328127LP 64328129 64328130 64110561 64140119 64100080  64328131 64328132	64328263LP 64328004 64328085 64110561 64140119 64100080	64328127LM 64328129 64328130 64110561 64140119 64100080  64328131 64328132	64328263LM 64328004 64328085 64110561 64140119 64100080  64328092 64328093
ILLUSTRATION HANDBRAKE		No. 5 MK. I Manual		No. 5 MK. I Manual		No. 5 MK. I Manual
HANDBRAKE ASSY. LH HANDBRAKE ASSY. RH		64932131 64932132		No Longer Available		No Longer Available
PAD ASSEMBLY Adjuster Bolt Locknut Pivot Seat Pivot Pin Washer Split Pin Handbrake Lever Tab Washer Retraction Plate LH Retraction Plate RH Hinge Bolts		64932129LQ  64328173 64100181 64328159 64328174 64140362 64150753  64328116 64328115 64328115 64328076		64932129LQ  64328173 64100181 64328159 64328174 64140362 64150753 64328253 64328116		64932129LQ  64328173 64100181 64328159 64328174 64140362 64150753 64328253 64328116
ACTUATION	BRAKE		BRAKE		BRAKE	
MASTER CYLINDER SERVICE KIT Supply Tank H.P. Hose Front H.P. Hose Rear	64046015(11") 3700628W(14")		64068575 SP 2590 64047211 64046050(13 $\frac{1}{8}$ "") 64047385(13')		64068575 SP 2590 64047211 64046050(13 $\frac{1}{8}$ "") 64047385(13')	



	DAIMLER V8 2½ LITRE 1962 On		FACEL VEGA HK 500 SPORTS COUPE 1960-1964	FACEL EXCELLENCE 1961-1964
ACTUATION	BRAKE			
ORIGINAL DUNLOP MASTER CYLINDER  SERVICE KIT SERVICE CONVERSION MASTER CYLINDER MASTER CYLINDER (AFTER CONVERSION) SERVICE KIT H.P. HOSE FRONT H.P. HOSE REAR	VB 80029 Not Available SP 2590  64967012  64068590 SP 2105 64047676(15½") 64047682(17⅜")			



FACEL  
FACELLIA  
1961 - 1964

FERRARI  
BERLINETTA COUPE  
CABRIOLET 250 GT  
1961 - 1964

FERRARI  
330 GT  
1963 ON

ILLUSTRATION SIZE AND TYPE	FRONT		REAR		FRONT		REAR	
	No. 1 SERIES II	No. 1 SERIES II	No. 1 SERIES II	No. 1 SERIES II	No. 1 SERIES II	No. 1 SERIES II	No. 1 SERIES II	No. 1 SERIES II
CALIPER ASSY. LH CALIPER ASSY. RH	64033126 64033127	64033190 64033191	64033012 64033013	64033120 64033121	64033012 64033013	64033012 64033013	64033016 64033017	
DISC	No Longer Available		64328695	64328697	64329226	64328697		
PISTON & CYL. ASSY. SERVICE KIT Washer Bolt Bleed Screw Bridge Pipe Assy. LH Bridge Pipe Assy. RH  PAD ASSEMBLY Support Plate Keep Plate Bolt Washer Nut Keep Plate Pin Clip Shim Shim	64329312(2 $\frac{1}{4}$ "") SP 2562 64140119 64110558 SP 2570 64476164 64476165  64328263LP 64328004 64328005  64320646 64325009	64932063(1 $\frac{1}{2}$ "") SP 2555 64140119 64110558 SP 2570 64476167 64476168  64328263LP 64328004 64328005  64320646 64325009	64329317(2 $\frac{1}{8}$ "") SP 2556 64140120 64110562 SP 2570 64476169 64476170  64328127LP 64328129 64328130 64110561 64140119 64100080	64932066(1 $\frac{3}{4}$ "") SP 2557 64140119 64110558 SP 2570 64476168 64476167  64328263LP 64328004 64328085 64110561 64140119 64100080  64328092 64328093	64329317(2 $\frac{1}{8}$ "") SP 2556 64140120 64110562 SP 2570 64476169 64476170  64328127PX 64328129 64328130 64110561 64140119 64100080  64328131 64328132	64932065(1 $\frac{5}{8}$ "") SP 2559 64140119 64110558 SP 2570 64476168 64476167  64328144PX 64328004 64328085 64110561 64140119 64100080  64328092 64328093		
ILLUSTRATION HANDBRAKE		No. 5 MK. I Manual		No. 4 Early Type		No. 5 MK. I Manual		
HANDBRAKE ASSY. LH HANDBRAKE ASSY. RH		No longer Available		No longer Available		No longer Available		
PAD ASSY.  Adjuster Bolt Locknut Pivot Pin Washer Split Pin Friction Spring Adjusting Nut Pawl Assembly Spring Return Spring Retraction Plate Tab Washer Hinge Bolts		64932129LQ  64328173 64100181 64328174 64140362 64150753  64328669 64328653 64328076		64932310LQ  64328173 64100181  64328115 64328116 64328076		64932129LQ  64328173 64100181 64328174 64140362 64150753  64328115 64328116 64328076		
ACTUATION								
ORIGINAL DUNLOP MASTER CYLINDER  SERVICE KIT CONVERSION KIT TO GIRLING MASTER CYL.  SERVICE REPLACEMENT MASTER CYL. AFTER CONVERSION SERVICE KIT  H.P. Hose Front H.P. Hose Rear  <u>NOTE !</u> Alternative racing pads Front Rear					Not available  SP 9021  64968029  64066283 SP 2484			
			64047676(15 $\frac{1}{2}$ "") 64047675(15 $\frac{1}{2}$ "")  64329307EQ 64328577EQ					



**FERRARI**  
248 GT & 275 GT.  
1964 ON

**FIAT**  
ABARTH 2200  
1960

**I.S.O.**  
RIVOLTA GT COUPE  
1962-JUNE 1963

ILLUSTRATION SIZE AND TYPE	FERRARI		FIAT		I.S.O.	
	FRONT No. 1 SERIES II	REAR No. 1 SERIES II	FRONT No. 1 SERIES II	REAR No. 1 SERIES II	FRONT No. 1 SERIES II	REAR No. 1 SERIES II
CALIPER ASSY. LH CALIPER ASSY. RH	64033018 64033019	64033022 64033023	64033174 64033175	64033190 64033191	64033012 64033013	64932354 64932355
DISC	Supplied by Ferrari.		Supplied by Fiat		64328711	64328713
PISTON & CYL. ASSY. SERVICE KIT Washer Bolt Bleed Screw Bridge Pipe Assy. LH Bridge Pipe Assy. RH	64329317(2 $\frac{1}{8}$ "") SP 2556 64140120 64110562 SP 2570 64476171 64476172	64932063(1 $\frac{1}{2}$ "") SP 2555 64140119 64110558 SP 2570 64476173 64476174	64932067(2 $\frac{1}{8}$ "") SP 2556 64140119 64119558 SP 2570 64476164 64476165	64932063(1 $\frac{1}{2}$ "") SP 2555 64140119 64110558 SP 2570 64476167 64476168	64329317(2 $\frac{1}{8}$ "") SP 2556 64140120 64110562 SP 2570 64476169 64476170	64932062(1 $\frac{7}{16}$ "") SP 2564 64140119 64110558 SP 2570 64476184 64476183
PAD ASSEMBLY Support Plate Keep Plate Keep Plate Pin Bolt Washer Clip Nut	64328127PX 64328129 64328177  64110561 64140119  64100080	64328144PX 64328004 64328085  64110561 64140119  64100080	64328263LP 64328004 64328005 64320646  64325009	64328263LP 64328004 64328005 64320646  64325009	64328127LP 64328129 64328130  64110561 64140119  64100080	64328263LP 64328004 64328085  64110561 64140119  64100080
ILLUSTRATION HANDBRAKE		No. 6 Auto Adjust		No. 5 MK.I.Manual		No. 6 Auto Adjust
HANDBRAKE ASSY LH HANDBRAKE ASSY RH		64033020 64033021		No Longer Available		No Longer Available
PAD ASSEMBLY Adjuster Bolt Locknut Friction Spring Adjuster Nut Pawl Assembly Spring Return Spring Retraction Plate Tab Washer Hinge Bolts		64932129LQ  64328055 64328054 64328051 64328052 64328056 64328115 64328116 64328076		64932129LQ 64328173 64100181  64328653 64328076		64932129LQ 64328114  64328055 64328054 64328051 64328052 64328056 64328115 64328116 64328076
ACTUATION	BRAKE				BRAKE	
ORIGINAL DUNLOP MASTER CYLINDER  SERVICE KIT CONVERSION KIT TO GIRLING MASTER CYL.  SERVICE REPLACEMENT MASTER CYL. AFTER CONVERSION SERVICE KIT  SERVO UNIT  H.P. Hose Front H.P. Hose Rear	Not Available SP 9021 64968029  64066283 SP 2484  64047676(15 $\frac{1}{2}$ "") 64047676(15 $\frac{1}{2}$ "")				VBM 4728 SP 2590    Not of Girling/Dunlop Manufacture. 64047357 64047381	



I.S.O.  
RIVOLTA GT COUPE  
JULY 1963-1964

JAGUAR  
XK150 & XK150S  
1958-1959

JAGUAR  
XK150 & XK150S  
1959-1960

ILLUSTRATION SIZE AND TYPE	FRONT		REAR		FRONT		REAR	
	No. 1 SERIES II	No. 1 SERIES II	No. 1 SERIES II	No. 1 SERIES II	No. 1 SERIES II	No. 1 SERIES II	No. 1 SERIES II	No. 1 SERIES II
CALIPER ASSY. LH CALIPER ASSY. RH	64033012 64033013	64033124 64033125	64033174 64033175	64033168 * 64033169 *	64033174 64033175	64033168 * 64033169 *	64033174 64033175	64033168 * 64033169 *
DISC	64328711	64328713	64328504	Supplied by Jaguar	64328502	64328502	64328860	64328860
PISTON & CYL. ASSY. SERVICE KIT Washer Bolt Bleed Screw Bridge Pipe Assy LH Bridge Pipe Assy RH	64329317(2 $\frac{1}{8}$ "") SP 2556 64140120 64110562 SP 2570 64476169 64476170	64932063(1 $\frac{1}{2}$ "") SP 2555 64140119 64110558 SP 2570 64476184 64476183	64932067(2 $\frac{1}{8}$ "") SP 2556 64140119 64110558 SP 2570 64476164 64476165	64329316(1 $\frac{1}{16}$ "") SP 2569 64140119 64110558 SP 2570 64476168 64476167	64932067(2 $\frac{1}{8}$ "") SP 2556 64140119 64110558 SP 2570 64476164 64474165	64329316(1 $\frac{1}{16}$ "") SP 2569 64140119 64110558 SP 2570 64476168 64476167	64329316(1 $\frac{1}{16}$ "") SP 2569 64140119 64110558 SP 2570 64476168 64476167	64329316(1 $\frac{1}{16}$ "") SP 2569 64140119 64110558 SP 2570 64476168 64476167
PAD ASSEMBLY Support Plate Keep Plate Keep Plate Pin Clip Bolt Washer Nut	64328127LP 64328129 64328130  64110561 64140119 64100080	64328263LP 64328004 64328085  64110561 64140119 64100080	64328263LP 64328004 64328005 64320646 64325009	64328263LP 64328004 64328005 64320646 64325009	64328263LP 64328004 64328005 64320646 64325009	64328263LP 64328004 64328005 64320646 64325009	64328263LP 64328004 64328005 64320646 64325009	64328263LP 64328004 64328005 64320646 64325009
ILLUSTRATION HANDBRAKE		No. 6 Auto Adjust		No. 4 Early Type		No. 4 Early Type		No. 4 Early Type
PAD ASSEMBLY Adjuster Bolt Friction Spring Adjusting Nut Pawl Assembly Spring Return Spring Retraction Plate Tab Washer Hinge Bolt Locknut Pivot Seat Pivot Pin Washer Split Pin		64932129LQ 64328114 64328055 64328054 64328051 64328052 64328056 64328115 64328116 64328076	64932310LQ 64328173	64932310LQ 64328173  64328790 64328789 64100181  64140362 64150753	64932310LQ 64328173  64328669 64328653 64328076 64100181 64328159 64328174 64140362 64150753	64932310LQ 64328173  64328669 64328653 64328076 64100181 64328159 64328174 64140362 64150753	64932310LQ 64328173  64328669 64328653 64328076 64100181 64328159 64328174 64140362 64150753	64932310LQ 64328173  64328669 64328653 64328076 64100181 64328159 64328174 64140362 64150753
ACTUATION	BRAKE		BRAKE	CLUTCH	BRAKE	CLUTCH	BRAKE	CLUTCH
ORIGINAL DUNLOP MASTER CYLINDER SERVICE KIT CONVERSION KIT TO GIRLING MASTER CYL. SERVICE REPLACEMENT MASTER CYLINDER AFTER CONVERSION SERVICE KIT H.P. Hose L.P. Hose Supply Tank SLAVE CYLINDER SERVICE KIT SERVO UNIT H.P. Hose Front H.P. Hose Rear	VBM 4728 SP 2590       Not of Girling/Dunlop Manufacture 64047357 64047381		VBM 4057 Not available SP 9008  64967021  64068777 SP 2462  64047655(16 $\frac{1}{2}$ "") 64047386(13 $\frac{1}{2}$ "")	3110241W SP 1971     3700819W 394612 64047212  3010223W SP 2005	VBM 4057 Not available SP 9008  64967021  64068777 SP 2462  64047655(16 $\frac{1}{2}$ "") 64047386(13 $\frac{1}{2}$ "")	3110241W SP 1971     3700819W 394612 64047212  3010223W SP 2005	VBM 4057 Not available SP 9008  64967021  64068777 SP 2462  64047655(16 $\frac{1}{2}$ "") 64047386(13 $\frac{1}{2}$ "")	3110241W SP 1971     3700819W 394612 64047212  3010223W SP 2005

Note! Some vehicles were fitted with series I Calipers (round pads) which are no longer available. Series II Calipers must be supplied in axle sets to convert these models to later specification. \* Utmost care must be taken to ensure that correct piston and cylinder assemblies are fitted. Some XK150 and XK150S models are fitted with 1 $\frac{3}{8}$ " piston and cylinders 64932065 (SP 2559) and a mixture of 1 $\frac{3}{8}$ " and 1 $\frac{1}{16}$ " is NOT recommended.



**JAGUAR**  
2.4 & 3.4 LITRE  
1958-1961

**JAGUAR**  
3.8 LITRE  
1959-1961

**JAGUAR**  
MK. 1X  
1958-1961

ILLUSTRATION SIZE AND TYPE	FRONT No. 1 SERIES II	REAR No. 1 SERIES II	FRONT No. 1 SERIES II	REAR No. 1 SERIES II	FRONT No. 1 SERIES II	REAR No. 1 SERIES II
CALIPER ASSY. LH CALIPER ASSY. RH	64033174 64033175	64033190 64033191	64033174 64033175	64033190 64033191	64033132 64033133	64932218 64932219
DISC	64328502	64328504	64328502	64328504	Supplied by Jaguar	
PISTON & CYL. ASSY SERVICE KIT Washer Bolt Bleed Screw Bridge Pipe Assy. LH Bridge Pipe Assy. RH	64932067(2 $\frac{1}{8}$ "") SP 2556 64140119 64110558 SP 2570 64476164 64476165	64932063(1 $\frac{1}{2}$ "") SP 2555 64140119 64110558 SP 2570 64476167 64476168	64932067(2 $\frac{1}{8}$ "") SP 2556 64140119 64110558 SP 2570 64476164 64476165	64932063(1 $\frac{1}{2}$ "") SP 2555 64140119 64110558 SP 2570 64476167 64476168	64329340(2 $\frac{1}{2}$ "") SP 2561 64140120 64110562 SP 2570 64476461 64476462	64932049(1 $\frac{7}{8}$ "") SP 2554 64140119 64110558 SP 2570 64476454 64476455
PAD ASSEMBLY Support Plate Keep Plate Keep Plate Pin Clip Bolt Washer Nut	64328263LP 64328004 64328005 64320646 64325009	64328263LP 64328004 64328005 64320646 64325009	64328263LP 64328004 64328005 64320646 64325009	64328263LP 64328004 64328005 64320646 64325009	64328127LP 64328129 64328130  64110561 64140119 64100080	64328263LP 64328004 64328005 64320646 64325009
ILLUSTRATION HANDBRAKE		No. 4 Early Type		No. 5 MK.I.Manual		No. 5 MK.I.Manual
HANDBRAKE ASSY LH HANDBRAKE ASSY RH		No Longer Available		64932111 64932110		No Longer Available
PAD ASSEMBLY Adjuster Bolt Locknut Pivot Seat Pivot Pin Washer Split Pin Retraction Plate Tab Washer Hinge Bolts		64932310LQ 64328173 64100181 64328159 64328174 64140362 64150753  64328790 64328789		64932129LQ 64328173 64100181 64328159 64328174 64140362 64150753  64328653 64328076		64932129LQ 64328173 64100181 64328159 64328174 64140362 64150753 64328256 64328653 64328076
ACTUATION	BRAKE		BRAKE		BRAKE	
ORIGINAL DUNLOP MASTER CYLINDER SERVICE KIT CONVERSION KIT TO GIRLING MASTER CYL. SERVICE REPLACEMENT MASTER CYLINDER AFTER CONVERSION SERVICE KIT H.P. Hose Front H.P. Hose Rear	VB 80029 Not available SP 2590  64967012  64068590 SP 2105 64047676(15 $\frac{1}{2}$ "") 64047682(17 $\frac{5}{8}$ "")		VB 80029 Not available SP 2590  64967012  64068590 SP 2105 64047676(15 $\frac{1}{2}$ "") 64047682(17 $\frac{5}{8}$ "")		VBM 4058 Not available SP 9008  64068780 SP 2469	



**JAGUAR**  
MK. II  
2.4 3.4 3.8 LITRE  
1961-1964

**JAGUAR**  
MK. II  
2.4 3.4 3.8 LITRE  
1965-1967

**JAGUAR**  
240 & 340  
1967-OCTOBER 1969

ILLUSTRATION SIZE AND TYPE	FRONT No. 1 SERIES II	REAR No. 1 SERIES II	FRONT No. 1 SERIES II	REAR No. 1 SERIES II	FRONT No. 1 SERIES II	REAR No. 1 SERIES II
	CALIPER ASSY. LH CALIPER ASSY. RH	64033174 64033175	64033190 64033191	64033042 64033043	64033040 64033041	64033042 64033043
DISC	64328502	64328504	64328502	64328504	Supplied by Jaguar	
PISTON & CYL. ASSY SERVICE KIT	64932067(2 $\frac{1}{8}$ "") SP 2556	64932063(1 $\frac{1}{2}$ "") SP 2555	64932067(2 $\frac{1}{8}$ "") SP 2556	64932063(1 $\frac{1}{2}$ "") SP 2555	64932067(2 $\frac{1}{8}$ "") SP 2556	64932063(1 $\frac{1}{2}$ "") SP 2555
Washer	64140119	64140119	64140119	64140119	64140119	64140119
Bolt	64110558	64110558	64110558	64110558	64110558	64110558
Bleed Screw	SP 2570	SP 2570	SP 2570	SP 2570	SP 2570	SP 2570
Bridge Pipe Assy. LH	64476164	64476167	64476175	64476177	64476175	64476177
Bridge Pipe Assy. RH	64476165	64476168	64476176	64476178	64476176	64476178
PAD ASSEMBLY	64328263LP	64328263LP	64328263LP	64328263LP	64328263LP	64328263LP
Support Plate	64328004	64328004	64328004	64328004	64328004	64328004
Keep Plate	64328005	64328005	64328005	64328005	64328005	64328005
Keep Plate Pin	64320646	64320646	64320646	64320646	64320646	64320646
Clip	64325009	64325009	64325009	64325009	64325009	64325009
Shim		64328092		64328092		64328092
Shim		64328093		64328093		64328093
ILLUSTRATION HANDBRAKE		No. 6 Auto Adjust		No. 6 Auto Adjust		No. 6 Auto Adjust
HANDBRAKE ASSY LH HANDBRAKE ASSY RH		64932077 64932076		64932077 64932076		64932077 64932076
PAD ASSEMBLY		64932129LQ		64932129LQ		64932129LQ
Pad Carrier Outer		64328200		64328200		64328200
Pad Carrier Inner LH		64328281		64328281		64328281
Pad Carrier Inner RH		64328282		64328282		64328282
Adjuster Bolt		64328283		64328283		64328283
Pivot Seat		64328041		64328041		64328041
Pivot Pin		64328278		64328278		64328278
Handbrake Lever		64328275		64328275		64328275
Friction Spring		64328055		64328055		64328055
Adjusting Nut		64328276		64328276		64328276
Pawl Assembly		64328051		64328051		64328051
Spring		64328052		64328052		64328052
Spring Anchor		64328053		64328053		64328053
Cover Plate Outer		64328285		64328285		64328285
Washer		12437		12437		12437
Screw		64328286		64328286		64328286
Return Spring		64328277		64328277		64328277
Spring Post		64328075		64328075		64328075
Cover Plate inner		64328287		64328287		64328287
Tab Washer		64328074		64328074		64328074
Retraction Plate LH		64328288		64328288		64328288
Retraction Plate RH		64328289		64328289		64328289
Bottom Plate		64328073		64328073		64328073
Top Plate		64328072		64328072		64328072
Hinge Bolts		64328076		64328076		64328076
ACTUATION	BRAKE		BRAKE		BRAKE	
ORIGINAL DUNLOP MASTER CYLINDER	VB 80029 Not available		VB 80029 Not available		VB 80029 Not available	
SERVICE KIT	SP 2590		SP 2590		SP 2590	
CONVERSION KIT TO GIRLING MASTER CYLINDER	64967012		64967012		64967012	
SERVICE REPLACEMENT MASTER CYLINDER AFTER CONVERSION	64068590		64068590		64068590	
SERVICE KIT	SP 2105		SP 2105		SP 2105	
H.P. Hose Front	64047676(15 $\frac{1}{2}$ "")		64047676(15 $\frac{1}{2}$ "")		64047676(15 $\frac{1}{2}$ "")	
H.P. Hose Rear	64047682(17 $\frac{5}{8}$ "")		64047682(17 $\frac{5}{8}$ "")		64047682(17 $\frac{5}{8}$ "")	



**JAGUAR**  
3.8 Litre 'E' TYPE  
(First 5,000 Vehicles)  
1961-1964

**JAGUAR**  
3.8 Litre 'E' TYPE  
(Vehicles 5001 on)  
1961-1964

ILLUSTRATION SIZE AND TYPE	FRONT No. 1 SERIES II		REAR No. 1 SERIES II		FRONT No. 1 SERIES II		REAR No. 1 SERIES II	
CALIPER ASSY. LH CALIPER ASSY. RH	64033174 64033175		64033184 64033185		64033174 64033175		64033184 64033185	
DISC	64328502		64328860		64328502		64328860	
PISTON & CYL. ASSY SERVICE KIT	64932067(2 $\frac{1}{8}$ "") SP 2556		64932066(1 $\frac{3}{4}$ "") SP 2557		64932067(2 $\frac{1}{8}$ "") SP 2556		64932066(1 $\frac{3}{4}$ "") SP 2557	
Washer	64140119		64140119		64140119		64140119	
Bolt	64110558		64110558		64110558		64110558	
Bleed Screw	SP 2570		SP 2570		SP 2570		SP 2570	
Bridge Pipe Assy. LH	64476164		64476168		64476164		64476168	
Bridge Pipe Assy. RH	64476165		64476167		64474165		64476167	
PAD ASSEMBLY	64328263LM		64328263LM		64328263LM		64328263LM	
Support Plate	64328004		64328004		64328004		64328004	
Keep Plate	64328005		64328085		64328005		64328085	
Keep Plate Pin	64320646				64320646			
Clip	64325009				64325009			
Bolt			64110561				64110561	
Washer			64140119				64140119	
Nut			64100080				64100080	
Shim			64328092				64328092	
Shim			64328093				64328093	
ILLUSTRATION HANDBRAKE			No. 6 Auto Adjust				No. 6 Auto Adjust	
HANDBRAKE ASSY. LH HANDBRAKE ASSY. RH			Not available Not available				64932079 64932078	
PAD ASSEMBLY			64932129LQ				64932058LQ	
Pad Carrier Outer							64328047	
Pad Carrier Inner LH							64328213	
Pad Carrier Inner RH							64328212	
Adjuster Bolt			64328283				64328114	
Pivot Seat							64328041	
Pivot Pin			64328042				64328042	
Handbrake Lever							64328225	
Friction Spring			64328055				64328055	
Adjusting Nut			64328054				64328054	
Pawl Assembly			64328051				64328051	
Spring			64328052				64328052	
Spring Anchor			64328053				64328053	
Cover Plate Outer							64328080	
Washer			12437				64140361	
Screw			64130921				64130921	
Return Spring			64328056				64328056	
Spring Post							64328077	
Cover Plate Inner							64328087	
Retraction Plate							64328290	
Tab Washer			64328653				64328116	
Hinge Bolts			64328076				64328076	
ACTUATION	Front Brake	Rear Brake	Clutch		Front Brake	Rear Brake	Clutch	
ORIGINAL DUNLOP MASTER CYLINDER SERVICE KIT	VBM 4705 Not available SP 9016	VBM 4706 Not available SP 9016	VBM 4044/1 Not available SP 2616		VBM 4705 Not available SP 9016	VBM 4706 Not available SP 9016	VBM 4044/1 Not available SP 2616	
CONVERSION KIT TO GIRLING MASTER CYL.	64967023	64967024	64967017		64967023	64967024	64967017	
SERVICE REPLACEMENT MASTER CYLINDER AFTER CONVERSION	64068877	64066011	64068770		64068877	64066011	64068770	
SERVICE KIT	SP 2488	SP 2488	SP 2387		SP 2488	SP 2488	SP 2387	
SERVO UNIT (Bellows)	64049311				64049311			
H.P. Hose	64047655(14 $\frac{1}{2}$ "")	3700628W(14")			64047655(14 $\frac{1}{2}$ "")	3700628W(14")		



**JAGUAR**  
4.2 Litre 'E' TYPE  
1964 - 1968

**JAGUAR**  
2 + 2 'E' TYPE  
(XJ8)  
1966 ON

ILLUSTRATION SIZE AND TYPE	FRONT No. 1 SERIES II	REAR No. 1 SERIES II	FRONT No. 1 SERIES II	REAR No. 1 SERIES II
	CALIPER ASSY. LH CALIPER ASSY. RH	64033042 64033043	64033184 64033185	64033042 64033043
DISC	Supplied by Jaguar		Supplied by Jaguar	
<b>PISTON &amp; CYL. ASSY. SERVICE KIT</b> Washer Bolt Bleed Screw Bridge Pipe Assy. LH Bridge Pipe Assy. RH  <b>PAD ASSEMBLY</b> Support Plate Keep Plate Keep Plate Pin Clip Bolt Washer Nut Shim Shim	64932067(2 $\frac{1}{8}$ "") SP 2556 64140119 64110558 SP 2570 64476175 64476176  64328263LM 64328004 64328005 64320646 64325009	64932066(1 $\frac{3}{4}$ "") SP 2557 64140119 64110558 SP 2570 64476168 64476167  64328263LM 64328004 64328085  64110561 64140119 64100080 64328092 64328093	64932067(2 $\frac{1}{8}$ "") SP 2556 64140119 64110558 SP 2570 64476175 64476176  64328263LM 64328004 64328005 64320646 64325009	64932066(1 $\frac{3}{4}$ "") SP 2557 64140119 64110558 SP 2570 64476168 64476167  64328263LM 64328004 64328085  64110561 64140119 64100080 64328092 64328093
<b>ILLUSTRATION HANDBRAKE</b>		No. 6 Auto Adjust		No. 6 Auto Adjust
<b>HANDBRAKE ASSY. LH HANDBRAKE ASSY. RH</b>		64932079 64932078		64932079 64932078
<b>PAD ASSEMBLY</b> Pad Carrier Outer Pad Carrier Inner LH Pad Carrier Inner RH Adjuster Bolt Pivot Seat Pivot Pin Handbrake Lever Friction Spring Adjusting Nut Pawl Assembly Spring Spring Anchor Cover Plate Outer Washer Screw Return Spring Spring Post Cover Plate Inner Retraction Plate Tab Washer Hinge Bolts		64932058LQ  64328047 64328213 64328212 64328114 64328041 64328042 64328225 64328055 64328054 64328051 64328052 64328053 64328080 64140361 64130921 64328056 64328075 64328077 64328290 64328116 64328076		64932058LQ  64328047 64328213 64328212 64328114 64328041 64328042 64328225 64328005 64328054 64328051 64328052 64328053 64328080 64140361 64130921 64328056 64328075 64328077 64328290 64328116 64328076
<b>ACTUATION</b>	<b>BRAKE</b>	<b>CLUTCH</b>	<b>BRAKE</b>	<b>CLUTCH</b>
<b>ORIGINAL DUNLOP MASTER CYLINDER</b>  <b>SERVICE KIT</b>  <b>SERVO UNIT</b> H.P. Hose Front H.P. Hose Rear	Not of  Girling  Manufacture  64047655(14 $\frac{1}{2}$ "") 3700628W(14")	64068735 *  SP 2616             64068589 SP 2387	Not of  Girling  Manufacture  64047655(14 $\frac{1}{2}$ "") 64047381(8 $\frac{1}{8}$ "")	64068735 *  SP 2616             
<b>MASTER CYLINDER SERVICE KIT</b>				

\* Note ! First 2000 Vehicles had different Master Cylinder



**JAGUAR**  
3.8 Litre Mk.X  
First 1500 Vehicles 1961

**JAGUAR**  
3.8 Litre Mk. X  
Vehicles 1501-5000  
1961-1964

ILLUSTRATION SIZE AND TYPE	FRONT		REAR	FRONT		REAR
	No. 1 SERIES II	No. 1 SERIES II	No. 1 SERIES II	No. 1 SERIES II	No. 1 SERIES II	No. 1 SERIES II
CALIPER ASSY. LH CALIPER ASSY. RH	64033174 64033175	64033168 64033169		64033158 64033159		64033168 64033169
DISC	64328821	64328860		64328821		64328860
PISTON & CYL. ASSY Service Kit Washer Bolt Bleed Screw Bridge Pipe Assy. LH Bridge Pipe Assy. RH	64932067(2 $\frac{1}{8}$ "") SP 2556 64140119 64110558 SP 2570 64476164 64476165	64329316(1 $\frac{1}{8}$ "") SP 2569 64140119 64110558 SP 2570 64476168 64476167		64329312(2 $\frac{1}{4}$ "") SP 2562 64140119 64110558 SP 2570 64476259 64476260		64329316(1 $\frac{1}{8}$ "") SP 2569 64140119 64110558 SP 2570 64476168 64476167
PAD ASSEMBLY Support Plate Keep Plate Keep Plate Pin Clip Bolt Washer Nut	64328263LM 64328004 64328005 64320646 64325009	64328263LM 64328004 64328005 64320646 64325009		64328263LM 64328004 64328085  64110561 64140119 64100080		64328263LM 64328004 64328005 64320646 64325009
ILLUSTRATION HANDBRAKE		No. 6 Auto Adjust				No. 6 Auto Adjust
HANDBRAKE ASSY LH HANDBRAKE ASSY RH		No Longer Available				No Longer Available
PAD ASSEMBLY Adjuster Bolt Friction Spring Adjusting Nut Pawl Assembly Spring Return Spring Retraction Plate Tab Washer Hinge Bolts		64932058LQ  64328070 64328055 64328054 64328051 64328052 64328056 64328290 64328653 64328076				64932058LQ  64328070 64328055 64328054 64328051 64328052 64328056 64328290 64328653 64328076
ACTUATION	Front Brake	Rear Brake	Clutch	Front Brake	Rear Brake	Clutch
ORIGINAL DUNLOP MASTER CYLINDER SERVICE KIT	VBM 4707 Not available SP 9016	VBM 4708 Not available SP 9016	VBM 4720 Not available SP 9027	VBM 4707 Not available SP 9016	VBM 4708 Not available SP 9016	VBM 4720 Not available SP 9027
CONVERSION KIT TO GIRLING MASTER CYL.			64967019			64967019
SERVICE REPLACEMENT MASTER CYLINDER AFTER CONVERSION SERVICE KIT	64068877 SP 2488	64066011 SP 2488	64068775 SP 2076	64068877 SP 2488	64066011 SP 2488	64068775 SP 2076
SERVO UNIT H.P. Hose	Not available 64047655(16 $\frac{1}{2}$ "")	64046053(9")		Not available 64047655(16 $\frac{1}{2}$ "")	64046054(15")	



**JAGUAR**

3.8 LITRE MK. X  
VEHICLE 5001 ON  
1961-1964

**JAGUAR**

4.2 LITRE MK. X  
RHD  
1964 ON

ILLUSTRATION SIZE AND TYPE	FRONT No. 1 SERIES II		REAR No. 1 SERIES II		FRONT No. 2 SERIES III		REAR No. 2 SERIES III		
	CALIPER ASSY. LH CALIPER ASSY. RH	64033158 64033159	64033164 64033165	64033060 64033061	64033066 64033067	DISC	64328821	Supplied by Jaguar	Supplied by Jaguar
CALIPER BODY & PISTON LH CALIPER BODY & PISTON RH Piston PISTON & CYL. ASSY PISTON & CYL. ASSY LH PISTON & CYL. ASSY RH SERVICE KIT Washers Bolt Bleed Screw Bridge Pipe Assy. LH Bridge Pipe Assy. RH Clip	64329312(2 $\frac{1}{4}$ "")  SP 2562 64140119 64110558 SP 2570 64476259 64476260	64329316(1 $\frac{11}{16}$ "")  SP 2569 64140119 64110558 SP 2570 64476168 64476167	64328330 64328330 64328332  64328333(2 $\frac{1}{4}$ "") 64328334(2 $\frac{1}{4}$ "") SP 2565 64140120 64328380 SP 2570 64476188 64476189 64328386	64328389 64328390 64328397  64328391(1 $\frac{11}{16}$ "") 64328392(1 $\frac{11}{16}$ "") SP 2775 64140119 64328357 SP 2570 64476190 64476191 64476192	PAD ASSEMBLY Pad Support Pad Support Support Plate Keep Plate Bolt Washer Washer Nut Set screw Pad Retaining Pin Pin Retaining Clip Pad Stop	64328263LM  64328004 64328085 64110561 64140119  64100080	64328263LM  64328004 64328085 64110561 64140119  64100080	64932387LS 64328377 64328375  64328379 64328356 64140363 64120266 64328355 64328382 64328381 64328385	64932389LS 64328351 64328353  64130923 64328356 64140363 64120266 64328355 64328410 64325009 64328413
ILLUSTRATION HANDBRAKE		No. 6 Auto Adjust		No. 6 Auto Adjust	HANDBRAKE ASSY LH HANDBRAKE ASSY RH		No Longer Available	64932083 64932082	
PAD ASSEMBLY Pad Carrier Outer Pad Carrier Inner LH Pad Carrier Inner RH Adjuster Bolt Pivot Seat Pivot Pin Handbrake Lever LH Handbrake Lever RH Friction Spring Adjuster Nut Pawl Assembly Spring Spring Anchor Cover Plate Inner Washer Screw Return Spring Spring Post Cover Plate Inner Retraction Plate Tab Washer Hinge Bolts		64932058LQ  64328114  64328055 64328054 64328051 64328052  64328056  64328290 64328116 64328076		64932058LQ 64328047 64328416 64328418 64328114 64328041 64328042 64328421 64328225 64328055 64328054 64328051 64328052 64328053 64328080 64140361 64130921 64328056 64328075 64328077 64328290 64328116 64328076					

CONTINUED OVER LEAF



**JAGUAR**  
 3.8 LITRE MK. X  
 VEHICLE 5001 ON  
 1961-1964

**JAGUAR**  
 4.2 LITRE MK. X  
 RHD  
 1964 ON

ACUATION	Front Brake	Rear Brake	Clutch	Brake	Clutch
ORIGINAL DUNLOP MASTER CYLINDER SERVICE KIT	VBM 4704 Not available SP 9016	VBM 4708 Not available SP 9016	VBM 4720 Not available SP 9027	Not available SP 9021	64068583  SP 9016
CONVERSION KIT TO GIRLING MASTER CYLINDER			64967019	64968029	
SERVICE REPLACEMENT MASTER CYL. AFTER CONVERSION SERVICE KIT	64068877  SP 2488	64066011  SP 2488	64068775  SP 2076	64066283  SP 2484	
SERVO UNIT  H.P. Hose Front H.P. Hose Rear	Not available  64047655(16½")	64046053(9")		VB10118A  64047655(14½") 64046053(9")	
CONVERSION KIT TO GIRLING SUPERVAC				64949081	




**JAGUAR**  
4.2 LITRE MK. X  
LHD  
1964 ON

**JAGUAR**  
3.4 / 3.8 'S' TYPE  
RHD  
1963-1968


**JAGUAR**  
3.4 / 3.8 'S' TYPE  
LHD  
1963-1968

ILLUSTRATION SIZE AND TYPE	FRONT No. 2 SERIES III		REAR No. 2 SERIES III		FRONT No. 2 SERIES III		REAR No. 2 SERIES III	
	CALIPER ASSY. LH CALIPER ASSY. RH	64033060 64033061	64033066 64033067	64033062 64033063	64033066 64033067	64033062 64033063	64033066 64033067	64033066 64033067
DISC	Supplied by Jaguar			Supplied by Jaguar			Supplied by Jaguar	
CALIPER BODY & PISTON LH CALIPER BODY & PISTON RH PISTON PISTON & CYL. ASSY. LH PISTON & CYL. ASSY. RH SERVICE KIT Washer Set Bolt Bleed Screw Bridge Pipe Assy. LH Bridge Pipe Assy. RH Clip	64328330 64328330 64328332 64328333(2 1/4") 64328334(2 1/4") SP 2565 64140120 64328380 SP 2570 64476188 64476189 64328386	64328389 64328390 64328397 64328391(1 1/8") 64328392(1 1/8") SP 2775 64140119 64328357 SP 2570 64476190 64476191 64476192	64328323 64328323 64328325 64328326(2 1/8") 64328327(2 1/8") SP 2776 64140119 64328357 SP 2570 64476186 64476187 64328363	64328389 64328390 64328397 64328391(1 1/8") 64328392(1 1/8") SP 2775 64140119 64328357 SP 2570 64476190 64476191 64476192	64328323 64328323 64328325 64328326(2 1/8") 64328327(2 1/8") SP 2776 64140119 64328357 SP 2570 64476186 64476187 64328363	64328389 64328390 64328397 64328391(1 1/8") 64328392(1 1/8") SP 2775 64140119 64328357 SP 2570 64476190 64476191 64476192		
PAD ASSEMBLY Pad Support Pad Support Washer Set Screw Bolt Washer Nut Pad Retaining Pin Pad Retaining Clip Pad Stop	64932387LS 64328377 64328375 64328356 64328355 64328379 64140363 64120266 64328382 64328381 64328385	64932389LS 64328351 64328353 64328356 64328355 64130923 64140363 64120266 64328410 64325009 64328413	64932386LP 64328351 64328353 64328356 64328355 64130923 64140363 64120266 64328359 64325009 64328362	64932386LP 64328351 64328353 64328356 64328355 64130923 64140363 64120266 64328410 64325009 64328413	64932386LP 64328351 64328353 64328356 64328355 64130923 64140363 64120266 64328359 64325009 64328362	64932386LP 64328351 64328353 64328356 64328355 64130923 64140363 64120266 64328410 64325009 64328413		
ILLUSTRATION HANDBRAKE		No. 6 Auto Adjust		No. 6 Auto Adjust		No. 6 Auto Adjust		
HANDBRAKE ASSY LH HANDBRAKE ASSY RH		64932081 64932080		64932083 64932082		64932081 64932080		
PAD ASSEMBLY Pad Carrier Outer Pad Carrier Inner LH Pad Carrier Inner RH Adjuster Bolt Pivot Seat Pivot Pin Handbrake Lever LH Handbrake Lever RH Friction Spring Adjusting Nut Pawl Assembly Spring Spring Anchor Cover Plate Outer Washer Screw Return Spring Spring Post Cover Plate Inner Retraction Plate Tab Washer Hinge Bolts		64932058LQ 64328047 64328416 64328418 64328114 64328041 64328042 64328225 64328421 64328055 64328054 64328051 64328052 64328053 64328080 64140361 64130921 64328056 64328075 64328077 64328290 64328116 64328076		64932058LQ 64328047 64328416 64328418 64328114 64328041 64328042 64328421 64328225 64328055 64328054 64328051 64328052 64328053 64328080 64140361 64130921 64328056 64328075 64328077 64328290 64328116 64328076		64932058LQ 64328047 64328416 64328418 64328114 64328041 64328042 64328421 64328225 64328055 64328054 64328051 64328052 64328053 64328080 64140361 64130921 64328056 64328075 64328077 64328290 64328116 64328076		

CONTINUED OVER LEAF

	<b>JAGUAR</b> 4.2 LITRE MK. X LHD 1964 ON		<b>JAGUAR</b> 3.4/3.8 'S' TYPE RHD 1963-1968		<b>JAGUAR</b> 3.4/3.8 'S' TYPE LHD 1963-1968	
ACTUATION	BRAKE	CLUTCH	BRAKE	CLUTCH	BRAKE	CLUTCH
<b>ORIGINAL DUNLOP                      MASTER CYLINDER                      SERVICE KIT                      CONVERSION KIT TO                      GIRLING MASTER CYL.                      SERVICE REPLACEMENT                      MASTER CYL. AFTER                      CONVERSION                      SERVICE KIT                      SERVO UNIT                      H.P. Hose                      H.P. Hose</b>	Not Available SP 9021  64968029  64066283 SP 2484 VB 10118A 64047655(14½") 64046053(9")	64068584 SP 9016	Not Available SP 2590  64967012  64068590 SP 2105  64047676(15½") 64046053(9")	Not Available SP 2616  64967022  64068722 SP 2206  64047676(15½") 64046053(9")	Not Available SP 2590  64967012  64068590 SP 2105  64047676(15½") 64046053(9")	Not Available SP 2616  64967022  64068722 SP 2206  64047676(15½") 64046053(9")
<b>CONVERSION KIT TO                      GIRLING SUPERVAC</b>	64949081					



	JAGUAR 420G 1967 ON		JAGUAR 420G 1967 ON		JENSEN 541R 1958-1961	
ACTUATION	Brake	Clutch	Brake	Clutch	Brake	Clutch
<b>MASTER CYLINDERS SERVICE KIT</b>  <b>SUPERVAC UNIT Type 100</b> Non Return Valve  <b>SLAVE CYLINDER SERVICE KIT</b> H.P. Hose Front H.P. Hose Rear	64068676 SP 2484  64049198 64949055  64047655(14½") 64046053(9")	64068583 SP 9016	64068676 SP 2484  64049198 64949055  64047655(14½") 64046053(9")	64068584 SP 9016	64068597 SP 2590    64046027(13½") 64046054(15")	3112358W SP 2078   3010222 SP 2005



**JENSEN**

541 'S'  
1961-1962

**JENSEN**

CV 8  
MK.I & MK.II  
October 1962 - June 1965

**JENSEN**

CV 8 MK.III  
July 1965 - 1966

ILLUSTRATION SIZE AND TYPE	FRONT No. 1	REAR No. 1	FRONT No. 1	REAR No. 1	FRONT No. 1	REAR No. 1
	SERIES II	SERIES II	SERIES II	SERIES II	SERIES II	SERIES II
CALIPER ASSY. LH CALIPER ASSY. RH	64033006 64033007	64033032 64033033	64033006 64033007	64033032 64033033	64033006 64033007	64033032 64033033
Disc	64328500	64328500	Supplied by Jensen		64328500	64328500
PISTON & CYL. ASSY. SERVICE KIT Washer Bolt Bleed Screw Bridge Pipe Assy. LH Bridge Pipe Assy. RH  PAD ASSEMBLY Support Plate Keep Plate Bolt Washer Nut	64932067(2 $\frac{1}{8}$ "") SP 2556 64140119 64110558 SP 2570 64476164 64476165  64328263LP 64328004 64328085 64110561 64140119 64100080	64932065(1 $\frac{5}{8}$ "") SP 2559 64140119 64110558 SP 2570 64476167 64476168  64328263LP 64328004 64328085 64110561 64140119 64100080	64932067(2 $\frac{1}{8}$ "") SP 2556 64140119 64110558 SP 2570 64476164 64476165	64932065(1 $\frac{5}{8}$ "") SP 2559 64140119 64110558 SP 2570 64476167 64476168  64328263LP 64328004 64328085 64110561 64140119 64100080	64932067(2 $\frac{1}{8}$ "") SP 2556 64140119 64110558 SP 2570 64476164 64476165  64328263LP 64328004 64328085 64110561 64140119 64100080	64932065(1 $\frac{5}{8}$ "") SP 2559 64140119 64110558 SP 2570 64476167 64476168  64328263LP 64328004 64328085 64110561 64140119 64100080
ILLUSTRATION HANDBRAKE		No. 5 MK.I.Manual		No. 6 Auto Adjust		No. 6 Auto Adjust
HANDBRAKE ASSY LH HANDBRAKE ASSY RH		No Longer Available		No Longer Available		No Longer Available
PAD ASSEMBLY  Adjuster Bolt Locknut Pivot Seat Pivot Pin Friction Spring Adjusting Nut Pawl Assembly Spring Spring Anchor Washers Split Pin Screw Return Spring Hinge Pin Retraction Plate Tab Washer Hinge Bolts		64932129LQ  64328173 64100181       64140362 64150753  64328115 64328116 64328106		64932129LQ  64328114  64328042 64328055 64328054 64328051 64328052 64328053 64140261  64130921 64328056 64328208 64328115 64328116 64328076		64932129LQ  64328114  64328196 64328042 64328055 64328054 64328051 64328052 64328053 64140361  64310921 64328056 64328208 64328115 64328116 64328076
ACTUATION	BRAKE		BRAKE		BRAKE	
ORIGINAL DUNLOP MASTER CYLINDER  SERVICE KIT  Supply Tank  CONVERSION KIT TO GIRLING MASTER CYL.  SERVICE REPLACEMENT MASTER CYL. AFTER CONVERSION  SERVICE KIT  SERVO UNIT  H.P. Hose Front H.P. Hose Rear	64068597  SP 2590         64046027(13 $\frac{1}{2}$ "") 64046054(15")		64068597  SP 2590  64047211       64046049(10 $\frac{1}{2}$ "") 64046054(14 $\frac{3}{4}$ "")		Not Available  SP 9021  64047679  64968045  64066283  SP 2484  Not available  64046049(10 $\frac{1}{2}$ "") 64046054(14 $\frac{3}{4}$ "")	



**JENSEN**  
**INTERCEPTOR**  
 1967-1968

**LAGONDA**  
**RAPIDE**  
 1962-1964

**LANCIA**  
**FLAMINIA GT & SPORTS**  
 1960-1961

ILLUSTRATION SIZE AND TYPE	FRONT No. 1 SERIES II		REAR No. 1 SERIES II		FRONT No. 1 SERIES II		REAR No. 1 SERIES II	
	<b>CALIPER ASSY. LH</b> <b>CALIPER ASSY. RH</b>	64033006 64033007	64033032 64033033	64033132 64033133	64033138 64033139	64033024 64033025	64033054 64033055	
DISC	Supplied by Jensen		64328819	64329204	Supplied by Lancia			
<b>PISTON &amp; CYL ASSY</b> <b>SERVICE KIT</b> Washer Bolt Bleed Screw Bridge Pipe Assy. LH Bridge Pipe Assy. RH	64932067(2 $\frac{1}{8}$ "") SP 2556 64140119 64110558 SP 2570 64476164 64476165	64932065(1 $\frac{7}{8}$ "") SP 2559 64140119 64110558 SP 2570 64476167 64476168	64329340(2 $\frac{1}{2}$ "") SP 2561 64140120 64110562 SP 2570 64476461 64476462	64932049(1 $\frac{7}{8}$ "") SP 2554 64140119 64110558 SP 2570 64476454 64476455	64932067(2 $\frac{1}{8}$ "") SP 2556 64140119 64110558 SP 2570 64476259 64476260	64932063(1 $\frac{1}{2}$ "") SP 2555 64140119 64110558 SP 2570 64476183 64476184		
<b>PAD ASSEMBLY</b> Support Plate Keep Plate Bolt Washer Nut	64328263LP 64328004 64328085 64110561 64140119 64100080	64328263LP 64328004 64328085 64110561 64140119 64100080	64328127LP 64328129 64328130 64110561 64140119 64100080	64328263LP 64328004 64328085 64110561 64140119 64100080	64328263LP 64328004 64328085 64110561 64140119 64100080	64328263LP 64328004 64328085 64110561 64140119 64100080		
<b>ILLUSTRATION</b> <b>HANDBRAKE</b>		No. 6 Auto Adjust		No. 4 Early Type		No. 5 MK.I Manual		
<b>HANDBRAKE ASSY LH</b> <b>HANDBRAKE ASSY RH</b>		64932079 64932078		No Longer Available		No Longer Available		
<b>PAD ASSEMBLY</b> Pad Carrier Outer Pad Carrier Inner LH Pad Carrier Inner RH Adjuster Bolt Pivot Seat Pivot Pin Handbrake Lever Friction Spring Adjusting Nut Pawl Assembly Spring Spring Anchor Cover Plate Outer Washer Screw Return Spring Spring Post Cover Plate inner Retraction Plate Tab Washer Hinge Bolts Locknut Split Pin		64932058LQ 64328047 64328213 64328212 64328114 64328041 64328042 64328225 64328055 64328054 64328051 64328052 64328053 64328080 64140361 64130921 64328056 64328075 64328077 64328290 64328116 64328076		64932129LQ 64328173 64328174 64140362 64328115 64328116 64328076 64100181 64150753		64932310LQ 64328173 64328159 64328174 64140362 64328790 64328789 64100181 64150753		
<b>ACTUATION</b>	<b>BRAKE</b>		<b>BRAKE</b>					
<b>ORIGINAL DUNLOP</b> <b>MASTER CYL.</b> <b>SERVICE KIT</b> Supply Tank <b>CONVERSION KIT TO</b> <b>GIRLING MASTER CYL.</b> <b>SERVICE REPLACEMENT</b> <b>MASTER CYL.</b> <b>AFTER CONVERSION</b> <b>SERVICE KIT</b> <b>SERVO UNIT</b> <b>SERVICE KIT</b> Stop Light Switch H.P. Hose Front H.P. Hose Rear	Not available SP 9021 64047679 64968045 64066283 SP 2484 Not available 64046049(10 $\frac{1}{2}$ "") 64046054(14 $\frac{3}{4}$ "")		64067960 SP 2220 64047236 64049126 SP 2228 64067811					



**LANCIA**  
FLAMINIA GT & SPORTS  
1961 ON

**LANCIA**  
FLAMINIA SALOON  
& COUPE

**LANCIA**  
FLAMINIA SALOON  
& COUPE

ILLUSTRATION SIZE AND TYPE	FRONT No. 1 SERIES II		REAR No. 1 SERIES II		FRONT No. 1 SERIES II		REAR No. 1 SERIES II	
	<b>CALIPER ASSY. LH</b> <b>CALIPER ASSY. RH</b>	64033024 64033025	64033054 64033055	64033024 64033025	64033058 64033059	64033024 64033025	64033058 64033059	64033024 64033025
<b>DISC</b>	Supplied by Lancia		Supplied by Lancia		Supplied by Lancia		Supplied by Lancia	
<b>PISTON &amp; CYL. ASSY</b> <b>SERVICE KIT</b> Washer Bolt Bleed Screw Bridge Pipe Assy. LH Bridge Pipe Assy. RH	64932067(2 $\frac{1}{8}$ "") SP 2556 64140119 64110558 SP 2570 64476259 64476260	64932063(1 $\frac{1}{2}$ "") SP 2555 64140119 64110558 SP 2570 64476183 64476184	64932067(2 $\frac{1}{8}$ "") SP 2556 64140119 64110558 SP 2570 64476259 64476260	64932065(1 $\frac{5}{8}$ "") SP 2559 64140119 64110558 SP 2570 64476183 64476184	64932067(2 $\frac{1}{8}$ "") SP 2556 64140119 64110558 SP 2570 64476259 64476260	64932065(1 $\frac{5}{8}$ "") SP 2559 64140119 64110558 SP 2570 64476183 64476184	64932067(2 $\frac{1}{8}$ "") SP 2556 64140119 64110558 SP 2570 64476259 64476260	64932065(1 $\frac{5}{8}$ "") SP 2559 64140119 64110558 SP 2570 64476183 64476184
<b>PAD ASSEMBLY</b> Support Plate Keep Plate Bolt Washer Nut	64328084LR 64328004 64328085 64110561 64140119 64100080	64328263LP 64328004 64328085 64110561 64140119 64100080	64328263LP 64328004 64328085 64110561 64140119 64100080	64328263LP 64328004 64328085 64110561 64140119 64100080	64328084LR 64328004 64328085 64110561 64140119 64100080	64328263LP 64328004 64328085 64110561 64140119 64100080	64328084LR 64328004 64328085 64110561 64140119 64100080	64328263LP 64328004 64328085 64110561 64140119 64100080
<b>ILLUSTRATION HANDBRAKE</b>		No. 5 MK.I. Manual		No. 4 Early Type		No. 5 MK.I Manual		No. 5 MK.I Manual
<b>HANDBRAKE ASSY LH</b> <b>HANDBRAKE ASSY RH</b>		No Longer Available		No Longer Available		No Longer Available		No Longer Available
<b>PAD ASSEMBLY</b> Adjuster Bolt Locknut Pivot Seat Pivot Pin Washer Split Pin Retraction Spring LH Retraction Spring RH Tab Washer Hinge Bolts		64932129LQ 64328173 64100181 64328159 64328174 64140362 64150753 64328245 64328246 64328116 64328076		64932310LQ 64328173 64100181 64328159 64328174 64140362 64150753  64328790 64328789		64932129LQ 64328173 64100181 64328159 64321874 64140362 64150753 64328245 64328246 64328116 64328076		64932129LQ 64328173 64100181 64328159 64321874 64140362 64150753 64328245 64328246 64328116 64328076



LANCIA  
FLAVIA SALOON  
1961-1968

LANCIA  
FLAVIA COUPE  
1961-1965

LANCIA  
FLAVIA COUPE  
1965-1968

ILLUSTRATION SIZE AND TYPE	FRONT No. 1 SERIES II		REAR No. 1 SERIES II		FRONT No. 1 SERIES II		REAR No. 1 SERIES II	
	CALIPER ASSY LH CALIPER ASSY RH	64033024 64033025	64033050 64033051	64033024 64033025	64033028 64033029	64033024 64033025	64033096 64033097	
DISC	Supplied by Lancia		Supplied by Lancia		Supplied by Lancia			
PISTON & CYL ASSY. SERVICE KIT Washer Bolt Bleed Screw Bridge Pipe Assy LH Bridge Pipe Assy RH  PAD ASSEMBLY Support Plate Keep Plate Bolt Washer Nut	64932067(2 $\frac{1}{8}$ "") SP 2556 64140119 64110558 SP 2570 64476259 64476260  64328084LR 64328004 64328085 64110561 64140119 64100080	64932062(1 $\frac{7}{8}$ "") SP 2564 64140119 64110558 SP 2570 64476177 64476178  64328263LP 64328004 64328085 64110561 64140119 64100080	64932067(2 $\frac{1}{8}$ "") SP 2556 64140119 64110558 SP 2570 64476259 64476260  64328263LR 64328004 64328085 64110561 64140119 64100080	64932061(1 $\frac{3}{8}$ "") SP 2566 64140119 64110558 SP 2570 64476177 64476178  64328263LR 64328004 64328085 64110561 64140119 64100080	64932067(2 $\frac{1}{8}$ "") SP 2556 64140119 64110558 SP 2570 64476259 64476260  64328263LP 64328004 64328085 64110561 64140119 64100080	64328604(1 $\frac{5}{16}$ "") SP 2567 64140119 64110558 SP 2570 64476177 64476178  64328263LP 64328004 64328085 64110561 64140119 64100080		
ILLUSTRATION HANDBRAKE		No. 5 MK.I Manual		No. 5 MK.I Manual		No. 5 MK.I Manual		
HANDBRAKE ASSY LH HANDBRAKE ASSY RH		64932093 64932092		64932085 64932084		64932093 64932092		
PAD ASSEMBLY Adjuster Bolt Locknut Pivot Seat Pivot Pin Washer Split Pin Retraction Spring LH Retraction Spring RH Tab Washer Hinge Bolts		64932129LQ 64328173 64100181 64328159 64328174 64140362 64150753 64328245 64328246 64328116 64328076		64932129LQ 64328173 64100181 64328159 64328174 64140362 64150753 64328245 64328246 64328116 64328076		64932129LQ 64328173 64100181 64328159 64328174 64140362 64150753 64328245 64328246 64328116 64328076		



**LANCIA**  
FLAVIA SALOON & COUPE  
1968 ON

**LANCIA**  
FULVIA SALOON  
1964 ON

**LANCIA**  
FULVIA COUPE  
1964 ON

ILLUSTRATION SIZE AND TYPE	FRONT No. 1 SERIES II		REAR No. 1 SERIES II		FRONT No. 1 SERIES II		REAR No. 1 SERIES II	
	CALIPER ASSY. LH CALIPER ASSY. RH	64033024 64033025	64033337 64033338	64033024 64033025	64033028 64033029	64033024 64033025	64033096 64033097	
DISC	Supplied by Lancia		Supplied by Lancia		Supplied by Lancia			
<b>PISTON &amp; CYL. ASSY SERVICE KIT</b>	64932067(2 $\frac{1}{8}$ "") SP 2556	64932065(1 $\frac{5}{8}$ "") SP 2559	64932067(2 $\frac{1}{8}$ "") SP 2556	64932061(1 $\frac{3}{8}$ "") SP 2566	64932067(2 $\frac{1}{8}$ "") SP 2556	64328604(1 $\frac{5}{8}$ "") SP 2567		
Washer	64140119	64140119	64140119	64140119	64140119	64140119		
Bolt	64110558	64110558	64110558	64110558	64110558	64110558		
Bleed Screw	SP 2570	SP 2570	SP 2570	SP 2570	SP 2570	SP 2570		
Bridge Pipe Assy. LH	64476259	64476177	64476259	64476177	64476259	64476177		
Bridge Pipe Assy. RH	64476260	64476178	64476260	64476178	64476260	64476178		
<b>PAD ASSEMBLY</b>	64328084LP	64328263LP	64328084LR	64328084LR	64328084LR	64328084LR		
Support Plate	64328004	64328004	64328004	64328004	64328004	64328004		
Keep Plate	64328085	64328085	64328085	64328085	64328085	64328085		
Bolt	64110561	64110561	64110561	64110561	64110561	64110561		
Washer	64140119	64140119	64140119	64140119	64140119	64140119		
Nut	64100080	64100080	64100080	64100080	64100080	64100080		
<b>ILLUSTRATION HANDBRAKE</b>		No. 5 MK.I Manual		No. 5 MK.I Manual		No. 5 MK.I Manual		
<b>HANDBRAKE ASSY LH HANDBRAKE ASSY RH</b>		64932093 64932092		64932085 64932084		64932085 64932084		
<b>PAD ASSEMBLY</b>		64932129LQ		64932129LQ		64932129LQ		
Adjuster Bolt		64328173		64328173		64328173		
Locknut		64100181		64100181		64100181		
Pivot Seat		64328159		64328159		64328159		
Pivot Pin		64328174		64328174		64328174		
Washer		64140362		64140362		64140362		
Split Pin		64150753		64150753		64150753		
Retraction Spring LH		64328245		64328245		64328245		
Retraction Spring RH		64328246		64328246		64328246		
Tab Washer		64328116		64328116		64328116		
Hinge Bolts		64328076		64328076		64328076		



MGA  
TWIN CAM  
1958-1962

ROVER  
2000  
1963-1966

ILLUSTRATION SIZE AND TYPE	FRONT No. 1 SERIES II	REAR No. 1 SERIES II	FRONT No. 1 SERIES II	REAR No. 1 SERIES II	
CALIPER ASSY. LH CALIPER ASSY. RH	64033174 64033175	64033190 64033191	64033343 64033344	64033345 64033346	
DISC	64329071	64329073	Supplied by Rover		
PISTON & CYL. ASSY SERVICE KIT Washer Bolt Bleed Screw Bridge Pipe Assy LH Bridge Pipe Assy RH  PAD ASSEMBLY Support Plate Keep Plate Keep Plate Pin Clip	64932067(2 $\frac{1}{8}$ "") SP 2556 64140119 64140558 SP 2570 64476164 64476165  64329279QF 64328004 64328005 64320646 64325009	64932063(1 $\frac{1}{2}$ "") SP 2555 64140119 64140558 SP 2570 64476167 64476168  64329279QF 64328004 64328005 64320646 64325009	64326367(2 $\frac{1}{8}$ "") SP 2556 64140119 64140558 SP 2570 64476164 64476165  64328263LP 64328004 64328005 64320646 64325009	64326364(1 $\frac{7}{16}$ "") SP 2558 64140119 64140558 SP 2570 64476166 64476166  64328263LP 64328004 64328005 64320646 64325009	
HANDBRAKE		Early Type		Auto Adjust	<b>NOTE !</b>
HANDBRAKE ASSY LH HANDBRAKE ASSY RH		No Longer Available		64932069 64932068	SERVICE REPLACEMENT MASTER CYLINDER To fit Girling Master Cylinder alterations to piping are necessary.
PAD ASSEMBLY  Pad Carrier Outer Pad Carrier Inner LH Pad Carrier Inner RH Adjuster Bolt Pivot Seat Pivot Pin Handbrake Lever Friction Spring Adjusting Nut Pawl Assembly Spring Spring Anchor Cover Plate Outer Washer Screw Return Spring Spring Post Cover Plate Inner Retraction Plate Bottom Plate Top Plate Tab Washer Hinge Bolts Locknut Split Pin		64932310LQ   64328173  64328174     64140362         64328790 64328789 64100181 64150753		64932058LQ  64328047 64328037 64328038 64328070 64328041 64328042 64328050 64328055 64328054 64328051 64328052 64328053 64328080 64140361 64130921 64328056 64328075 64328077 64328071 64328073 64328072 64328074 64328076	ROVER 2000 RHD VEHICLES Up to & including Chassis Numbers Suffix 'B' Master Cylinder 64068568 Pipe (Hose to M/Cyl.) 64476913 Pipe (M/Cyl to Servo) 3502810W ROVER 2000 RHD VEHICLES Chassis Numbers Suffix 'C' up to 40030597D or 40102098D Master Cylinder 64068568 Pipe (Hose to M/Cyl.) 64476913 Pipe (M/Cyl to Servo) 64476509 ROVER 2000 LHD VEHICLES Up to Chassis 4037769D Master Cylinder 64068568 Pipe (Hose to M/Cyl.) 64476912
ACTUATION	Brake	Clutch	Brake	Clutch	
ORIGINAL DUNLOP MASTER CYLINDER MAJOR SERVICE KIT MINOR SERVICE KIT  Master Cylinder Service Kit  Service Replacement Master Cylinder Service Kit  Slave Cylinder Service Kit  Supply Tank  H.P. Hose Front H.P. Hose Rear	VBM 4022 Not available SP 2590   64068878 SP 2105    64046050(13 $\frac{1}{8}$ "") 64046181(11"")	                   3112254W SP 1963    3010205W SP 2017   3700614W	VB 80039 Not available SP 9031 SP 9032    See Note! SP 2105   64047672  3700825W(12 $\frac{1}{2}$ "") 64947520		

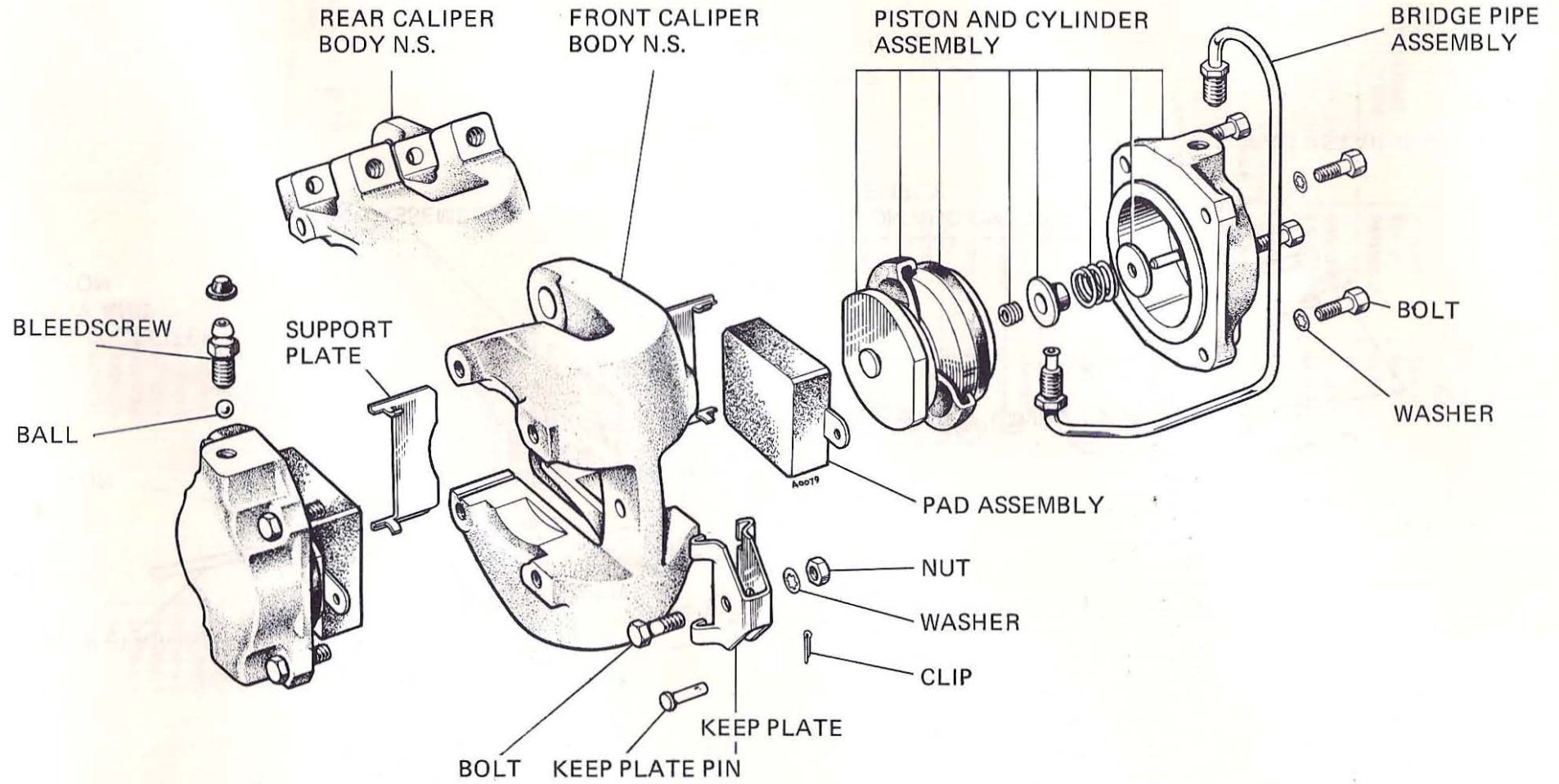


ILLUSTRATION NO. 1  
 DUNLOP SERIES II CALIPER

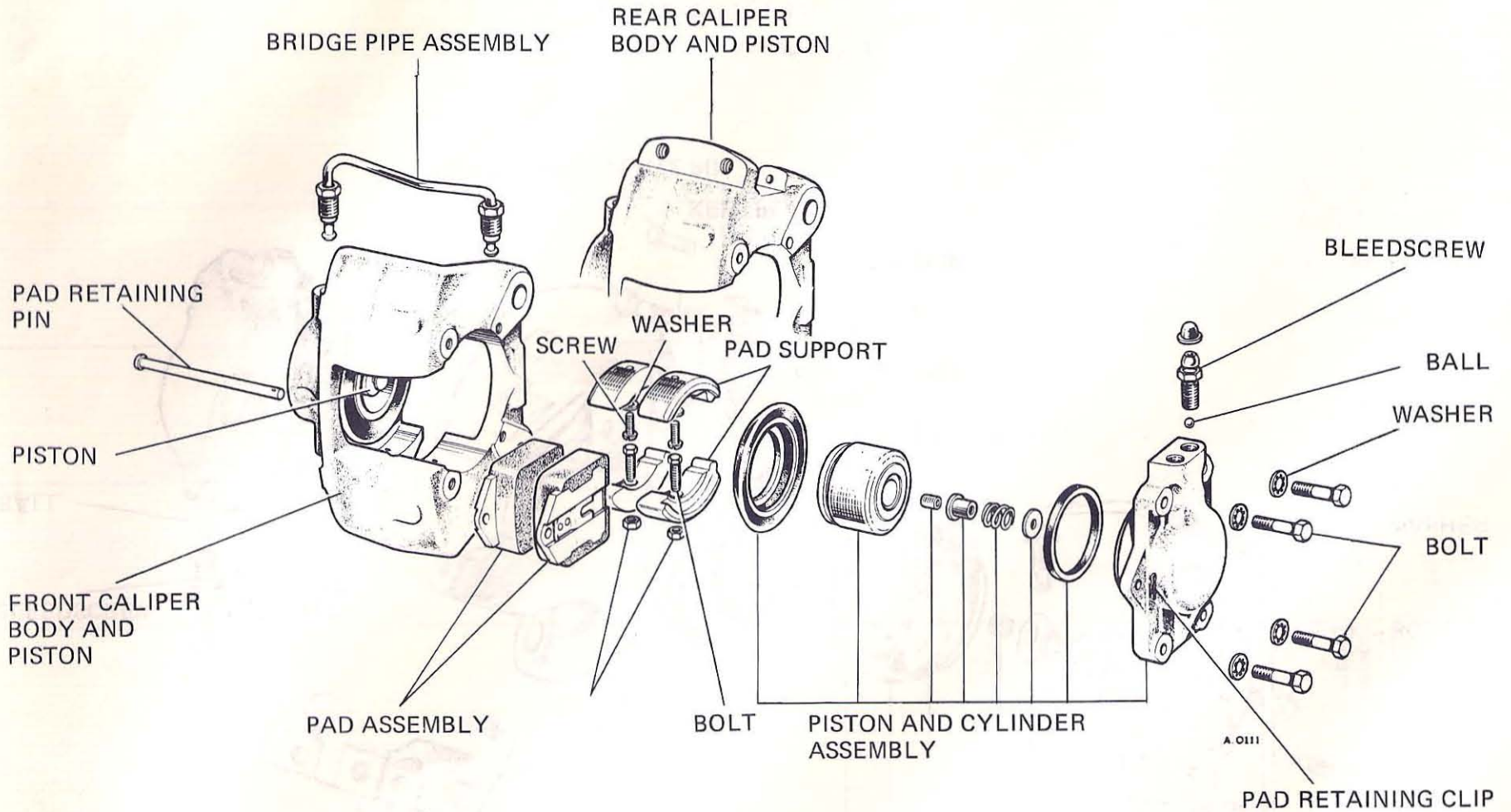


ILLUSTRATION NO. 2  
DUNLOP SERIES III CALIPER

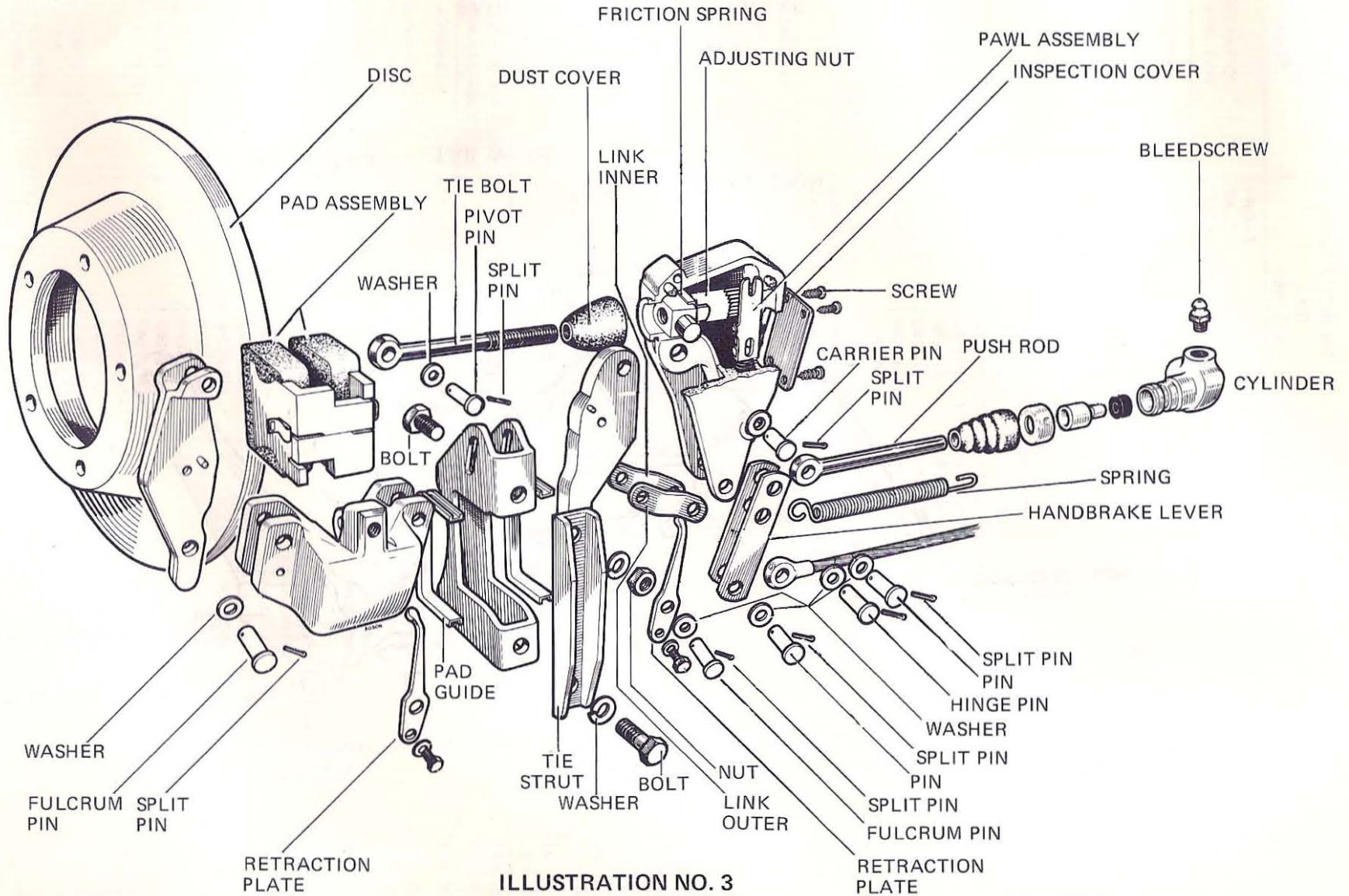


ILLUSTRATION NO. 3  
 DUNLOP SERIES IV CALIPER

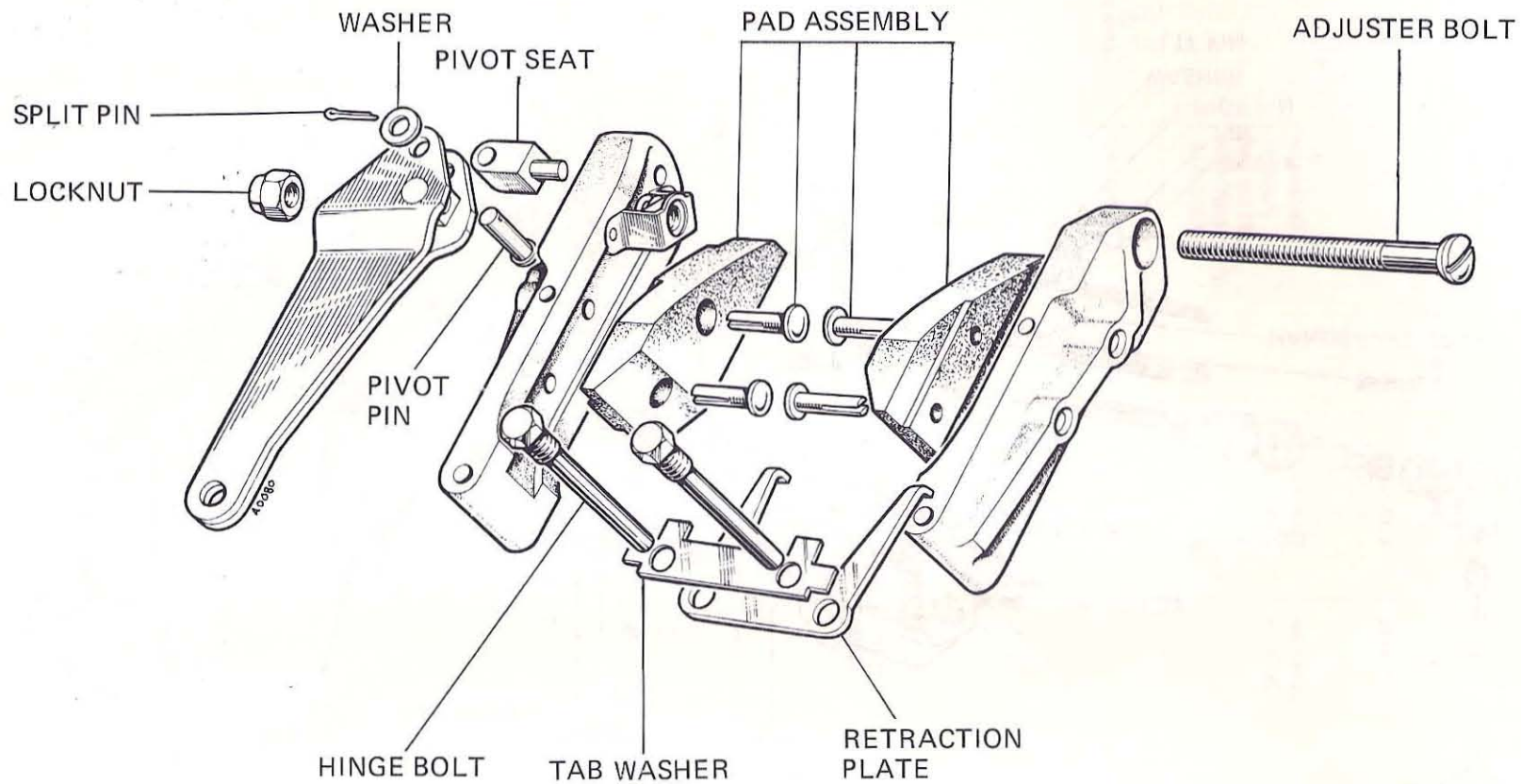


ILLUSTRATION NO.4  
EARLY TYPE MK I HANDBRAKE

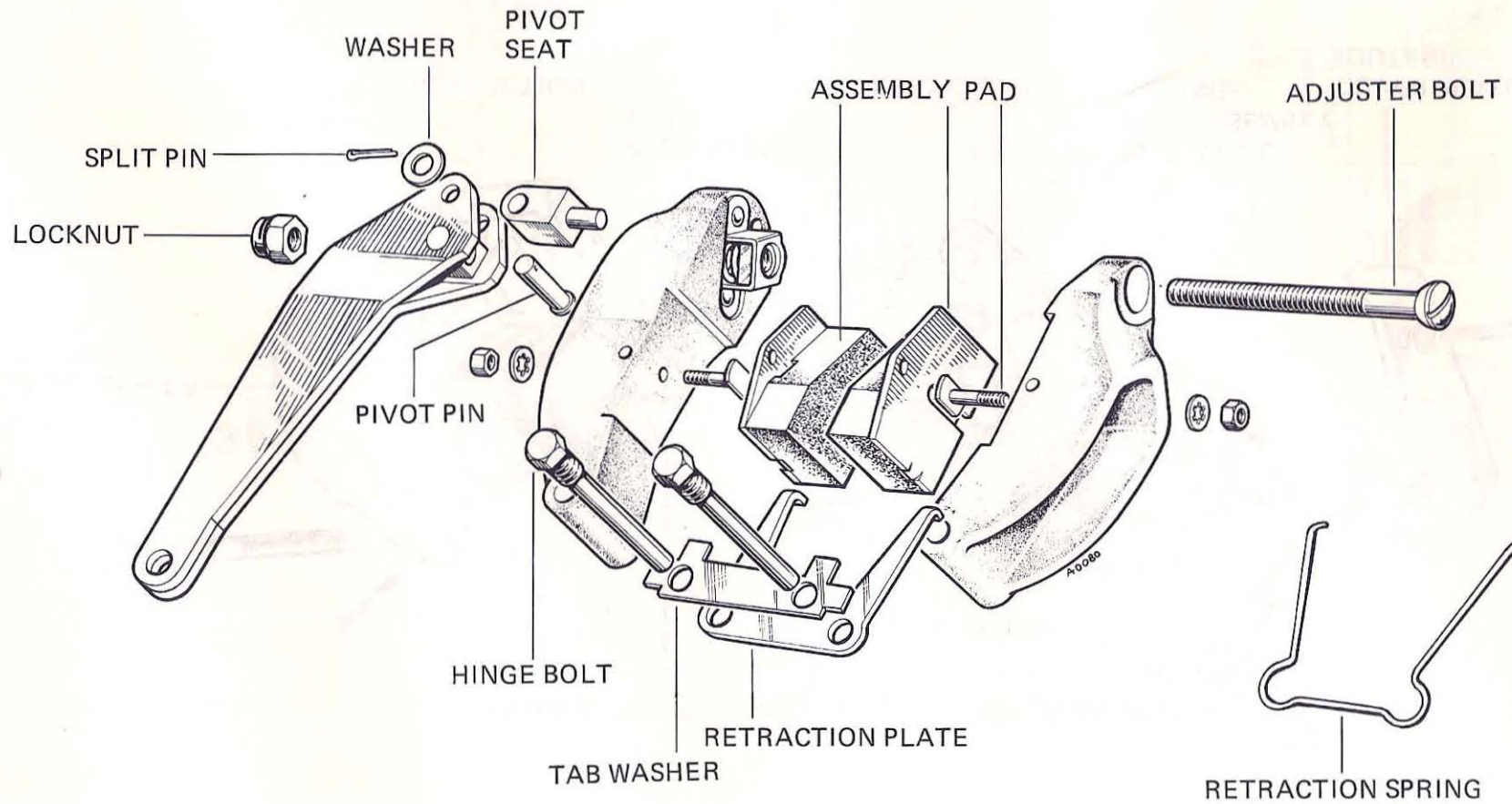


ILLUSTRATION NO. 5  
MK I MANUALLY ADJUSTED HANDBRAKE

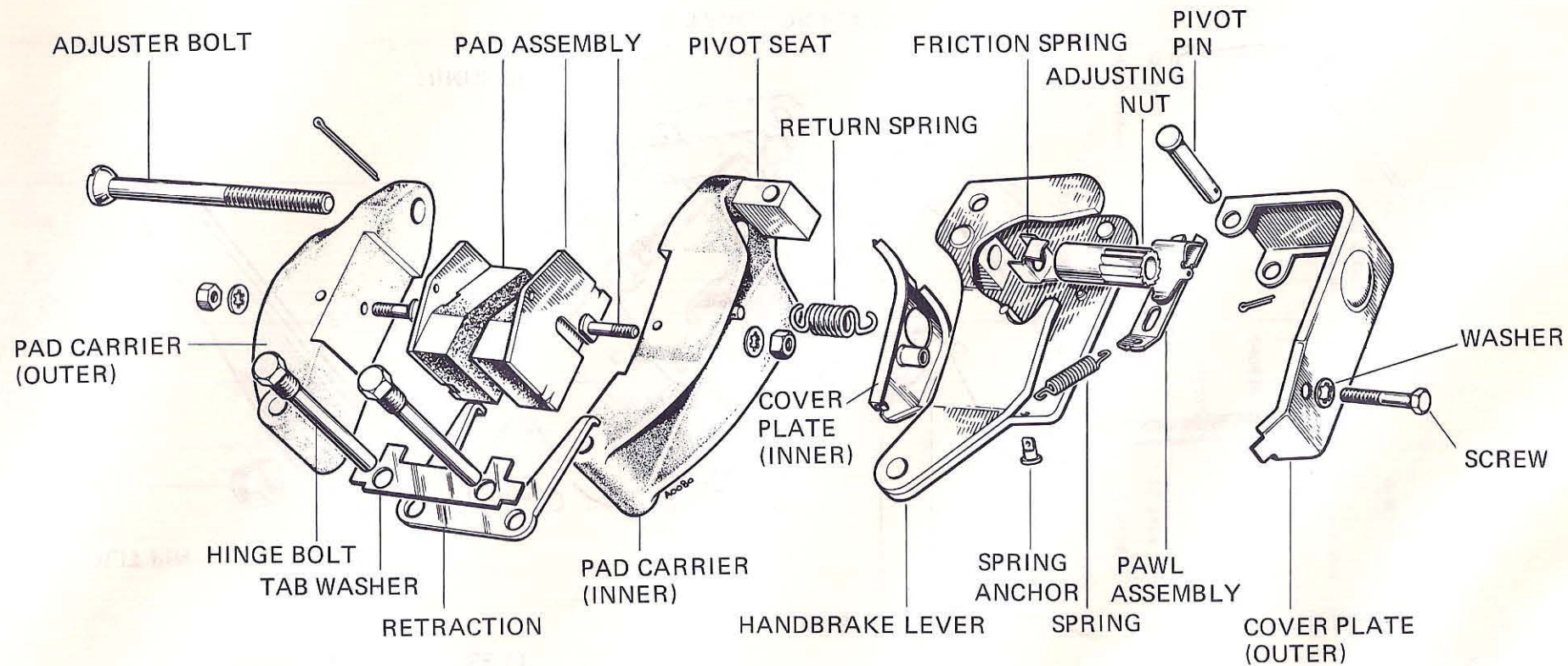


ILLUSTRATION NO. 6  
 MK II AUTOMATICALLY ADJUSTED HANDBRAKE

GIRLING PART NO.	DESCRIPTION	APPLICATION	DUNLOP PART NO.
12437	Washer	Aston Martin Daimler, Jaguar	VBO 6101F
364612	Hose	Jaguar	
3010223W	Slave Cylinder	Jaguar	
3110241W	Master Cylinder	Jaguar	
3700628W	Hose	Bristol, Jaguar	WDO22680/11 $\frac{3}{8}$
3700819W	Hose	Jaguar	
3700825W	Hose	Rover	
SP 1971	M/Cyl. Kit	Jaguar	
SP 2005	S/Cyl. Kit	Jaguar	
SP 2076	M/Cyl. Kit	Jaguar	
SP 2105	M/Cyl. Kit	Daimler, Jaguar MGA, Rover	
SP 2206	M/Cyl. Kit	Jaguar	
SP 2220	M/Cyl. Kit	Lagonda	
SP 2228	Vac Servo Kit	Lagonda	
SP 2387	M/Cyl. Kit	Jaguar	
SP 2469	M/Cyl. Kit	Alvis, Jaguar	
SP 2484	M/Cyl. Kit	Ferrari, Jaguar, Jensen	
SP 2488	M/Cyl. Kit	Jaguar	
SP 2553	Cal. Seal Kit	Alfa Romeo	VBO 9622
SP 2554	Cal. Seal Kit	Alfa Romeo, Facel, Jaguar, Lagonda.	VBO 8688A
SP 2555	Cal. Seal Kit	Alfa Romeo, Bristol, Daimler, Facel, Ferrari, Fiat, ISO, Jaguar, Jensen, Lancia, MGA	VBO 8691A
SP 2556	Cal. Seal Kit	Alvis, Aston Martin, Bristol, Daimler, Ferrari, Fiat, ISO, Jaguar, Jensen, Lancia, MGA, Rover	VBO 8210A
SP 2557	Cal. Seal Kit	Alvis, Aston Martin, Facel, Ferrari, Jaguar	VBO 8211A
SP 2558	Cal. Seal Kit	Aston Martin, Rover.	VBO 8689A
SP 2559	Cal. Seal Kit	Aston Martin, Daimler, Ferrari, Jensen, Lancia,	VBO 8690A
SP 2561	Cal. Seal Kit	Facel, Jaguar, Lagonda	VBO 8694
SP 2562	Cal. Seal Kit	BMW, Facel, Jaguar	VBO 8693A
SP 2564	Cal. Seal Kit	ISO, Lancia	VBO 8692
SP 2565	Cal. Seal Kit	Jaguar	VB 20053
SP 2566	Cal. Seal Kit	Lancia	VBO 9153
SP 2567	Cal. Seal Kit	Lancia	VB 20496
SP 2569	Cal. Seal Kit	Jaguar	VBO 8932
SP 2570	B/Screw Kit	Alfa Romeo, Alvis, Aston Martin, BMW, Bristol, Daimler, Facel, Ferrari, Fiat, ISO, Jaguar, Jensen, Lagonda, Lancia, MGA, Rover	VBO 8378

GIRLING PART NO.	DESCRIPTION	APPLICATION	DUNLOP PART NO.
SP 2590	M/Cyl. Kit	Daimler, ISO, Jaguar, Jensen, MGA	VB 20275
SP 2616	M/Cyl. Kit	Jaguar	VBO 8063
SP 2642	M/Cyl. Kit	Jaguar	
SP 2649	M/Cyl. Kit	Aston Martin	
SP 2772	M/Cyl. Kit	Alfa Romeo	
SP 2775	Cal. Seal Kit	Jaguar	VB 20054
SP 2776	Cal. Seal Kit	Jaguar	VB 20157
SP 9000	M/Cyl. Kit	Alfa Romeo	VBO 9577
SP 9004	M/Cyl. Kit	Alfa Romeo	VBO 9675
SP 9008	M/Cyl. Kit	Alvis, Aston Martin, Jaguar,	VBO 8041
SP 9016	M/Cyl. Kit	Jaguar	VBO 8062
SP 9021	M/Cyl. Kit	Ferrari, Jaguar, Jensen	VBO 9840
SP 9027	M/Cyl. Kit	Jaguar	VBO 9436
SP 9031	M/Cyl. Kit	Rover	VB 20587
SP 9032	M/Cyl. Kit	Rover	VB 20588
40 S 32	Washer	Jaguar	VB 10118A
64033006	Caliper	Alfa Romeo	VB 06118
64033007	Caliper	Alvis, Aston Martin, Bristol, Jensen,	VB 1198B
64033010	Caliper	Alvis, Aston Martin, Bristol, Jensen	VB 1198A
64033011	Caliper	Alvis, Facel,	VB 1280B
64033012	Caliper	Alvis, Facel, Aston Martin, Daimler, Ferrari, ISO	VB 1280A VB 1281B
64033013	Caliper	Aston Martin, Daimler, Ferrari, ISO	VB 1281A
64033016	Caliper	Ferrari	VB 1286B
64033017	Caliper	Ferrari	VB 1286A
64033018	Caliper	Ferrari	VB 97014B
64033019	Caliper	Ferrari	VB 97014A
64033020	Caliper	Ferrari	VB 49006B
64033021	Caliper	Ferrari	VB 49006A
64033022	Caliper	Ferrari	VB 1333B
64033023	Caliper	Ferrari	VB 1333A
64033024	Caliper	Lancia	VB 1275B
64033025	Caliper	Lancia	VB 1275A
64033028	Caliper	Lancia	VB 1270B
64033029	Caliper	Lancia	VB 1270A
64033032	Caliper	Daimler, Jenson	VB 1279B
64033033	Caliper	Daimler, Jenson	VB 1279A
64033040	Caliper	Daimler, Jaguar	VB 95059B
64033041	Caliper	Daimler, Jaguar	VB 95059A
64033042	Caliper	Daimler, Jaguar	VB 95058B

GIRLING PART NO.	DESCRIPTION	APPLICATION	DUNLOP PART NO.
64033043	Caliper	Daimler, Jaguar	VB 95058A
64033050	Caliper	Lancia	VB 1278B
64033051	Caliper	Lancia	VB 1278A
64033054	Caliper	Lancia	VB 1277B
64033055	Caliper	Lancia	VB 1277A
64033058	Caliper	Lancia	VB 1276B
64033059	Caliper	Lancia	VB 1276A
64033060	Caliper	Jaguar	VB 1393B
64033061	Caliper	Jaguar	VB 1393A
64033062	Caliper	Jaguar	VB 1385B
64033063	Caliper	Jaguar	VB 1385A
64033066	Caliper	Jaguar	VB 1394B
64033067	Caliper	Jaguar	VB 1394A
64033070	Caliper	Alfa Romeo	VB 1382B
64033071	Caliper	Alfa Romeo	VB 1382A
64033072	Caliper	Alfa Romeo	VB 1401B
64033073	Caliper	Alfa Romeo	VB 1401A
64033086	Caliper	Alfa Romeo	VB 1325B
64033087	Caliper	Alfa Romeo	VB 1325A
64033090	Caliper	Alfa Romeo	VB 1348B
64033091	Caliper	Alfa Romeo	VB 1348A
64033096	Caliper	Lancia	VB 97029B
64033097	Caliper	Lancia	VB 97029A
64033120	Caliper	Ferrari	VB 1197B
64033121	Caliper	Ferrari	VB 1197A
64033124	Caliper	ISO	VB 1341B
64033125	Caliper	ISO	VB 1341A
64033126	Caliper	BMW, Facel	VB 1283B
64033127	Caliper	BMW, Facel	VB 1283A
64033132	Caliper	Facel, Jaguar, Lagonda	VB 1243B
64033133	Caliper	Facel, Jaguar Lagonda	VB 1243A
64033138	Caliper	Facel, Lagonda	VB 1271-B
64033139	Caliper	Facel, Lagonda	VB 1271-A
64033142	Caliper	Bristol	VB 1284-B
64033143	Caliper	Bristol	VB 1284-A
64033146	Caliper	Aston Martin	VB 1046-B
64033147	Caliper	Aston Martin	VB 1046-A
64033150	Caliper	Aston Martin	VB 1282-B
64033151	Caliper	Aston Martin	VB 1282-A
64033156	Caliper	Aston Martin	VB 1332-B
64033157	Caliper	Aston Martin	VB 1332-A
64033158	Caliper	Jaguar	VB 1292-B
64033159	Caliper	Jaguar	VB 1292-A
64033164	Caliper	Jaguar	VB 1295-B
64033165	Caliper	Jaguar	VB 1295-A
64033168	Caliper	Jaguar	VB 1293-B
64033169	Caliper	Jaguar	VB 1293-A
64033174	Caliper	Fiat, Jaguar MGA	VB 1194-B
64033175	Caliper	Fiat, Jaguar MGA	VB 1194-A
64033184	Caliper	Jaguar	VB 1285-B1
64033185	Caliper	Jaguar	VB 1285-A6

GIRLING PART NO.	DESCRIPTION	APPLICATION	DUNLOP PART NO.
64033190	Caliper	Facel, Fiat Jaguar, Jensen, MGA	VB 1272-B
64033191	Caliper	Facel, Fiat Jaguar, Jensen, MGA	VB 1272-A
64033337	Caliper	Lancia	
64033338	Caliper	Lancia	
64033343	Caliper	Rover	VB 1194-B8
64033344	Caliper	Rover	VB 1194-A7
64033345	Caliper	Rover	VB 1339-B
64033346	Caliper	Rover	VB 1339-A
64046015	Hose	Bristol	
64046027	Hose	Jensen	WDO 22679/13.5
64046049	Hose	Jensen	WDO 22680/10½
64046050	Hose	Daimler, MGA	WDO 22680/13%
64046053	Hose	Jaguar	WDO 22681/9
64046054	Hose	Jaguar, Jensen	WDO 22681/15
64046088	Hose	Aston Martin	WDO 22681/16½
64046181	Hose	MGA	WDO 22671/11
64047211	Supply Tank	Alvis, Daimler, Jensen,	VBM 521
64047212	Supply Tank	Jaguar	
64047236	Supply Tank	Lagonda	
64047357	Hose	ISO	WDO 22680/12%
64047359	Hose	Alfa Romeo	WDO 22680/13½/13%
64047381	Hose	ISO, Jaguar	WDO 22681/8%/7%
64047385	Hose	Daimler	WDO 22681/13
64047386	Hose	Alfa Romeo, Jaguar	WDO 22681/13½
64047655	Hose	Jaguar	WDO 22680/16½
64047670	Hose	Alvis	WDO 22676/12
64047672	Supply Tank	Rover	VBO 9012
64047675	Hose	Alvis, Ferrari	WDO 22671/15½
64047676	Hose	Aston Martin, Daimler, Ferrari, Jaguar	WDO 22676/15½
64047679	Supply Tank	Alfa Romeo, Jensen	VBO 9537
64047682	Hose	Daimler, Jaguar	WDO 22671/17%
64049126	Servo Unit	Lagonda	
64049198	Supervac	Jaguar	
64049303	Valve	Jaguar	VBM 4668
64049311	Bellows	Jaguar	VB 10000
64066011	M/Cyl.	Jaguar	VBM 4708 See Kit 64967024

GIRLING PART NO.	DESCRIPTION	APPLICATION	DUNLOP PART NO.
64066202	M/Cyl.	Alfa Romeo	VBM 4723
64066283	M/Cyl.	Ferrari, Jaguar Jensen	
64067811	Switch	Lagonda	
64067960	M/Cyl.	Lagonda	
64068340	M/Cyl.	Aston Martin	
64068551	Slave Cyl.	Alfa Romeo	VBM 4059 VB 20056/AB
64068568	M/Cyl.	Rover	VB 80039
64068575	M/Cyl.	Daimler	VBM 4023
64068583	M/Cyl.	Jaguar	VB 80022
64068584	M/Cyl.	Jaguar	VB 80023
64068589	M/Cyl.	Jaguar	VB 80028 See Kit 64967025
64068590	M/Cyl.	Daimler Jaguar	VB 80029 See Kit 64967012
64068593	M/Cyl.	Alvis	VBM 4042
64068597	M/Cyl.	Jensen	VBM 4028
64068676	M/Cyl.	Jaguar	
64068722	M/Cyl.	Jaguar	VBM 4734 See Kit 64967022
64068735	M/Cyl.	Jaguar	VB 80044
64068742	M/Cyl.	Alfa Romeo	VBM 4730
64068770	M/Cyl.	Jaguar	VBM 4044/1 See Kit 64967017
64068775	M/Cyl.	Jaguar	VBM 4720 See Kit 64967019
64068777	M/Cyl.	Jaguar	VBM 4057 See Kit 64967021
64068780	M/Cyl.	Jaguar	VBM 4058
64068877	M/Cyl.	Jaguar	VBM 4707 See Kit 64967023
64068878	M/Cyl.	MGA	VBM 4022
64100080	Nut	Alvis, Aston Martin, Bristol, Daimler, Facel, Ferrari, ISO, Jaguar, Jensen, Lagonda, Lancia	VBO 6053
64100181	Nut	Alfa Romeo, Aston Martin, Bristol, Daimler, Facel, Ferrari, Fiat, Jaguar, Jensen, Lagonda, Lancia, MGA	VBO 6056
64100700	Nut	Alfa Romeo	VBO 6059
64110558	Bolt	Alfa Romeo, Alvis, Aston Martin, BMW, Bristol, Daimler, Facel, Ferrari, Fiat, ISO, Jaguar, Jensen, Lagonda, Lancia, MGA, Rover	VBO 5100

GIRLING PART NO.	DESCRIPTION	APPLICATION	DUNLOP PART NO.
64110561	Bolt	Alvis, Aston Martin, Bristol, Daimler, Facel, Ferrari, ISO, Jaguar, Jensen, Lagonda, Lancia	VBO 6003
64110562	Bolt	Aston Martin, Daimler, Facel, Ferrari, ISO, Jaguar, Lagonda	VBO 5153
64120266	Nut	Alfa Romeo, Jaguar	VBO 9068
64130921	Screw	Alvis, Jaguar, Jensen, Rover	VBO 6051G
64130923	Screw	Alfa Romeo, Jaguar	VBO 9057
64140119	Washer	Alfa Romeo, Alvis, Aston Martin, BMW, Bristol, Daimler, Facel, Ferrari, Fiat, ISO, Jaguar, Jensen, Lagonda, Lancia, MGA, Rover	VBO 6101/L
64140120	Washer	Aston Martin, Daimler, Facel, Ferrari, ISO, Jaguar, Lagonda,	
64140361	Washer	Jaguar, Jensen, Rover,	VBO 6100/D
64140362	Washer	Alfa Romeo, Aston Martin, Bristol, Daimler, Facel, Ferrari, Jaguar, Jensen, Lagonda, Lancia, MGA	VBO 6111
64140363	Washer	Alfa Romeo, Jaguar	VBO 6101H
64140364	Washer	Alfa Romeo	VBO 6125
64150078	Split Pin	Alfa Romeo	VBO 6154/E
64150753	Split Pin	Alfa Romeo, Aston Martin, Bristol, Daimler, Facel, Ferrari, Jaguar, Jensen, Lagonda, Lancia, MGA	VBO 6154E
64150759	Screw	Alfa Romeo	VB 20037/A
64320646	Pin	Alfa Romeo, BMW, Daimler, Facel, Fiat, Jaguar, Jensen, MGA, Rover	VBO 6002
64325009	Clip	Alfa Romeo, BMW, Facel, Fiat, Jaguar, Jensen, MGA, Rover	VBO 9562
64325706	Clip	Daimler	
64326364	Piston & Cyl.	Rover	VBO 9367
64326367	Piston & Cyl.	Rover	VBO 5505

GIRLING PART NO.	DESCRIPTION	APPLICATION	DUNLOP PART NO.
64328004	Plate	Alfa Romeo, Alvis, Aston Martin, BMW, Bristol, Daimler, Facel, Ferrari, Fiat, ISO, Jaguar Jensen, Lagonda, Lancia, MGA, Rover	VBO 5133
64328005	Keep Plate	Alfa Romeo, BMW, Facel, Fiat, Jaguar, Jensen, MGA, Rover,	VBO 5123
64328037	Pad Carrier	Rover	VBM 4993
64328038	Pad Carrier	Rover	VBM 4992
64328041	Pivot Seat	Daimler, Jaguar, Jensen, Rover	VBO 7702
64328042	Anchor	Jaguar, Jensen, Rover,	VBO 8157
64328047	Pad Carrier	Jaguar, Jensen, Rover	VBM 4654
64328050	H/Brake Lever	Rover	VBO 8873
64328051	Pawl Assy.	Alvis, Daimler, Ferrari, ISO, Jaguar, Jensen, Rover	VBO 7995
64328052	Spring	Alvis, Daimler, Ferrari, ISO, Jaguar, Jensen, Rover	VBO 7367
64328053	Anchor	Daimler, Jaguar, Jensen, Rover	VBO 7385
64328054	Nut	Alvis, Ferrari, ISO, Jaguar, Jensen, Rover	VBO 7667
64328055	Spring	Alfa Romeo, Alvis, Daimler, Ferrari, ISO, Jaguar, Jensen, Rover	VBO 7588
64328056	Spring	Alvis, Ferrari, ISO, Jaguar, Jensen, Rover,	VBO 8190
64328070	Bolt	Jaguar, Rover,	VBO 8217
64328071	Plate	Rover	VB 60267
64328072	Plate	Daimler, Jaguar, Rover	VB 20571
64328073	Plate	Daimler, Jaguar, Rover	VB 20570
64328074	Tab Washer	Daimler, Jaguar, Rover	VB 20357
64328075	Hinge Pin	Daimler, Jaguar, Jensen, Rover,	VBO 7289
64328076	Bolt	Alvis, Aston Martin, Bristol, Daimler, Facel, Ferrari, Fiat, ISO, Jaguar, Jensen, Lagonda, Lancia, Rover	VBO 4190
64328077	Cover	Jaguar, Jensen, Rover	VBO 8467
64328080	Plate	Jaguar, Rover,	VBO 8215
64328084LP	Pad Set	Lancia	VBO 8328N

GIRLING PART NO.	DESCRIPTION	APPLICATION	DUNLOP PART NO.
64328084LR	Pad Set	Lancia	VBO 8328PJ
64328084NV	Pad Set	BMW	VBO 8328PS
64328085	Plate	Alvis, Aston Martin, Bristol, Daimler, Facel, Ferrari, ISO, Jaguar, Jensen, Lagonda Lancia	VBO 5125
64328092	Shim	Alvis, Aston Martin, Daimler, Ferrari, Jaguar	VBO 5115
64328093	Shim	Alvis, Aston Martin, Daimler, Ferrari, Jaguar	VBO 5117
64328106	Bolt	Jensen	VBO 4124
64328114	Bolt	Alvis, ISO, Jaguar, Jensen,	VBO 8805
64328115	Plate	Alvis, Aston Martin, Bristol, Facel, Ferrari, ISO, Jensen, Lagonda	VBM 4635/2
64328116	Tab Washer	Alvis, Aston Martin, Bristol, Daimler, Facel, Ferrari, ISO, Jaguar, Jensen, Lagonda, Lancia	VBO 4225
64328127LM	Pad Set	Daimler	VBO 8329Z
64328127LP	Pad Set	Aston Martin, Daimler, Facel, Ferrari, ISO, Jaguar, Lagonda Ferrari	VBO 8329N
64328127PX	Pad Set	Ferrari	VBO 8329B
64328129	Plate	Aston Martin, Daimler, Facel, Ferrari, ISO, Jaguar, Lagonda	VBO 5180
64328130	Keep Plate	Aston Martin, Daimler, Facel, Ferrari, ISO, Jaguar, Lagonda	VBO 5181
64328131	Shim	Aston Martin, Daimler, Ferrari,	VBO 5116
64328132	Shim	Aston Martin, Daimler, Ferrari,	VBO 5118
64328144PX	Pad Set	Ferrari	VBO 8360B
64328159	Pivot Seat	Alfa Romeo, Aston Martin, Bristol, Daimler, Jaguar, Lancia	VBO 2350
64328173	Bolt	Alfa Romeo, Aston Martin, Bristol, Daimler, Facel, Ferrari, Fiat, Jaguar, Jensen, Lagonda, Lancia, MGA	VBO 2338
64328174	Hinge Pin	Alfa Romeo, Aston Martin, Bristol, Daimler, Facel, Ferrari, Jaguar, Jensen, Lagonda, Lancia, MGA	VBO 4182

GIRLING PART NO.	DESCRIPTION	APPLICATION	DUNLOP PART NO.
64328177	Keep Plate	Ferrari	VB 20328
64328180	Bolt	Alfa Romeo,	VBO 9380
64328196	Pivot Seat	Jensen	VBO 8156
64328200	Pad Carrier	Daimler, Jaguar	VBM 4572B
64328208	Hinge Pin	Jensen,	VBO 8198
64328212	Pad Carrier	Jaguar, Jensen	VBM 4655
64328213	Pad Carrier	Jensen, Jaguar	VBM 4656
64328225	Lever Assy.	Jaguar, Jensen	VBO 8379
64328245	Spring	Lancia	VB 20541B
64328246	Spring	Lancia	VB 20541A
64328253	Lever Assy.	Daimler	VBO 3450
64328256	Retraction Plate	Jaguar	VBM 3764/2
64328263LM	Pad Set	Daimler, Jaguar	VB 20585V
64328263LP	Pad Set	Alvis, Aston, Martin, Daimler, Facel, Ferrari, Fiat, ISO, Jaguar, Jensen, Lagonda, Lancia, Rover	VB 20585N
64328263LR	Pad Set	Lancia	VB 20585PJ
64328275	Lever Assy.	Daimler, Jaguar	VBO 7490
64328276	Nut	Daimler, Jaguar	VBO 8407
64328277	Spring	Daimler, Jaguar	VBO 7329
64328278	Anchor	Daimler, Jaguar	VBO 7330
64328281	Pad Carrier	Daimler, Jaguar	VBM 4613B
64328282	Pad Carrier	Daimler, Jaguar	VBM 4613A
64328283	Bolt	Daimler, Jaguar	VBO 8024
64328285	Plate	Daimler, Jaguar	VBO 7939
64328286	Bolt	Daimler, Jaguar	VBO 8090
64328287	Cover Assy	Daimler, Jaguar	VBO 8095
64328288	Plate	Daimler, Jaguar	VB 60248B
64328289	Plate	Daimler, Jaguar	VB 60248A
64328290	Plate	Jaguar, Jensen,	VBM 4646/2
64328323	Cal. & Piston	Jaguar	VBO 9550
64328325	Piston	Jaguar	VBO 9300
64328326	Piston	Jaguar	VBO 9552B
64328327	Piston	Jaguar	VBO 9552A
64328330	Cal. & Piston	Jaguar	VBO 9872
64328332	Piston	Jaguar	VBO 9874
64328333	Piston & Cyl.	Jaguar	VBO 9875B
64328334	Piston & Cyl.	Jaguar	VBO 9875A
64328351	Support	Alfa Romeo, Jaguar	VBO 9222
64328353	Support	Alfa Romeo, Jaguar	VBO 9221
64328355	Bolt	Alfa Romeo, Jaguar	VB 20249
64328356	Washer	Alfa Romeo, Jaguar	VBO 6101E
64328357	Bolt	Alfa Romeo, Jaguar	VBO 8448
64328359	Pin	Jaguar	VBO 9727
64328362	Pad Stop	Jaguar	VBO 9970
64328363	Pipe Clip	Jaguar	
64328373	Bolt	Alfa Romeo,	VBO 9119
64328375	Support	Jaguar	VBO 9741
64328377	Support	Jaguar	VBO 9742
64328379	Bolt	Jaguar	VBO 9745
64328380	Bolt	Jaguar	VBO 9746
64328381	Clip	Jaguar	VBO 9744

GIRLING PART NO.	DESCRIPTION	APPLICATION	DUNLOP PART NO.
64328382	Pin	Jaguar	VB 20192
64328385	Pad Stop	Jaguar	VBO 9995
64328386	Clip	Jaguar	VB 20333
64328389	Cal. & Piston	Jaguar	VBO 9728B
64328390	Cal. & Piston	Jaguar	VBO 9728A
64328391	Piston & Cyl.	Jaguar	VBO 9730B
64328392	Piston & Cyl.	Jaguar	VBO 9730A
64328397	Piston	Jaguar	VBO 9732
64328410	Pin	Jaguar	VBO 9726
64328413	Pad Stop	Jaguar	VBO 9992
64328416	Pad Carrier	Jaguar	VBM 5346
64328418	Pad Carrier	Jaguar	VBM 5345
64328421	Lever Assy.	Jaguar	VBO 9948
64328425	Cal. & Piston	Alfa Romeo	VBO 9330
64328426	Piston & Cyl.	Alfa Romeo	VBO 9332B
64328427	Piston & Cyl.	Alfa Romeo	VBO 9332A
64328433	Pin	Alfa Romeo	VBO 9696
64328434	Piston	Alfa Romeo	VBO 5573
64328451	Strut	Alfa Romeo	VBO 9167
64328452	Link	Alfa Romeo	VBO 8992
64328453	Link	Alfa Romeo	VBO 8993
64328454	Lever	Alfa Romeo	VBO 8893
64328455	Pin	Alfa Romeo	VBO 9115
64328456	Push Rod	Alfa Romeo	VBO 9341
64328457	Spring	Alfa Romeo	VBO 9470
64328458	Pin	Alfa Romeo	VBO 9116
64328459	Pin	Alfa Romeo	VBO 7865
64328460	Pin	Alfa Romeo	VBO 8446
64328461	Bolt	Alfa Romeo	VBO 8984
64328462	Pin	Alfa Romeo	VBO 8757
64328463	Dust Cover	Alfa Romeo	VBO 8385
64328467	Plate	Alfa Romeo	VBO 7738B
64328468	Plate	Alfa Romeo	VBO 7738A
64328470	Lever Assy.	Alfa Romeo	VBM 5075
64328471PV	Pad Set	Alfa Romeo	VBO 9595/PD
64328472	Guide	Alfa Romeo	VBO 9128
64328473	Cover	Alfa Romeo	VBO 8963
64328479	Nut	Alfa Romeo	VBO 9667
64328484	Pawl	Alfa Romeo	VBO 9014
64328492	Disc	Alvis	VBM 3507
64328494	Disc	Alvis	VBM 3574
64328496	Disc	Daimler	VBM 3870
64328498	Disc	Daimler	VBM 3650
64328500	Disc	Jensen	VBM 505
64328502	Disc	Daimler, Jaguar	VBM 3748
64328504	Disc	Daimler, Jaguar	VBM 720
64328506	Disc	Alfa Romeo	VBM 4875
64328508	Disc	Alfa Romeo	VBM 4837
64328577EQ	Pad Set	Ferrari	VBO 8343K
64328577NM	Pad Set	Alfa Romeo	VBO 8343K
64328604	Piston & Cyl.	Lancia	VB 50048
64328653	Tab Washer	Facel, Fiat, Jaguar	VBO 4226
64328669	Plate	Facel, Jaguar	VBM 4635/1
64328695	Disc	Ferrari	VBM 3583
64328697	Disc	Ferrari	VBM 3786
64328711	Disc	ISO	VBM 5054
64328713	Disc	ISO	VBM 5206

GIRLING PART NO.	DESCRIPTION	APPLICATION	DUNLOP PART NO.
64328789	Bolt	Aston Martin, Jaguar, Jensen, Lancia, MGA	VBO 662
64328790	Tab Washer	Aston Martin, Jaguar, Jensen, Lancia, MGA	VBO 2270
64328802	Disc	Aston Martin	VBM 970
64328817	Disc	Aston Martin	VBM 3301
64328819	Disc	Aston Martin Lagonda	VBM 4630
64328821	Disc	Jaguar	VBM 4431
64328860	Disc	Jaguar	VBM 3981
64329071	Disc	MGA	VBO 813
64329073	Disc	MGA	VBM 814
64329204	Disc	Lagonda	VBM 3886
64329226	Disc	Ferrari	VBM 5140
64329279QF	Pad Set	Bristol, MGA	VBO 9105L
64329307EQ	Pad Set	Ferrari	VBO 8344K
64329312	Piston & Cyl.	BMW, Facel, Jaguar	VBO 5504
64329316	Piston & Cyl.	Jaguar	VBO 5544
64329317	Piston & Cyl.	Aston Martin, Daimler, Ferrari ISO	VBO 5545
64329340	Piston & Cyl.	Facel, Jaguar	VBO 5518
64470444	Bleed Screw	Alfa Romeo	VBO 9223
64476164	Bridge Pipe	Alvis, Aston Martin, BMW, Bristol, Facel, Fiat, Jaguar, Jensen, MGA, Rover	VBO 5204
64476165	Bridge Pipe	Alvis, Aston Martin, BMW, Bristol, Facel, Fiat, Jaguar, Jensen, MGA, Rover	VBO 5203
64476166	Bridge Pipe	Rover	VBO 9124
64476167	Bridge Pipe	Alvis, Bristol, Daimler, Facel, Ferrari, Fiat, Jaguar, Jensen, MGA	VBO 3588
64476168	Bridge Pipe	Alvis, Bristol, Daimler, Facel, Ferrari, Fiat, Jaguar, Jensen, MGA,	VBO 3589
64476169	Bridge Pipe	Aston Martin, Daimler, Ferrari, ISO	VBO 4316
64476170	Bridge Pipe	Aston Martin, Daimler, Ferrari, ISO	VBO 4315
64476171	Bridge Pipe	Ferrari	VB 20347
64476172	Bridge Pipe	Ferrari	VB 20346
64476173	Bridge Pipe	Aston Martin, Ferrari	VBO 3598
64476174	Bridge Pipe	Aston Martin, Ferrari	VBO 3597
64476175	Bridge Pipe	Daimler, Jaguar	VBO 8325
64476176	Bridge Pipe	Daimler, Jaguar	VBO 8324
64476177	Bridge Pipe	Daimler, Jaguar Lancia	VBO 8327

GIRLING PART NO.	DESCRIPTION	APPLICATION	DUNLOP PART NO.
64476178	Bridge Pipe	Daimler, Jaguar Lancia	VBO 8326
64476179	Bridge Pipe	Jaguar	VB 20303
64476180	Bridge Pipe	Jaguar	VB 20304
64476183	Bridge Pipe	ISO, Lancia	VBO 7555
64476184	Bridge Pipe	ISO, Lancia	VBO 7556
64476186	Bridge Pipe	Jaguar	VBO 9947
64476187	Bridge Pipe	Jaguar	VBO 9946
64476188	Bridge Pipe	Jaguar	VBO 9878
64476189	Bridge Pipe	Jaguar	VBO 9877
64476190	Bridge Pipe	Jaguar	VBO 9715
64476191	Bridge Pipe	Jaguar	VB 20359
64476192	Bridge Pipe	Jaguar	VBO 9129
64476194	Bridge Pipe	Alfa Romeo	VBO 9227
64476195	Bridge Pipe	Alfa Romeo	VBO 9226
64476259	Bridge Pipe	Jaguar, Lancia	VBO 7218
64476260	Bridge Pipe	Jaguar, Lancia	VBO 7217
64476454	Bridge Pipe	Facel, Jaguar, Lagonda	VBO 3927
64476455	Bridge Pipe	Facel, Jaguar, Lagonda	VBO 3926
64476461	Bridge Pipe	Facel, Jaguar, Lagonda	VBO 5185
64476462	Bridge Pipe	Facel, Jaguar, Lagonda	VBO 5184
64932049	Piston & Cyl.	Facel, Jaguar, Lagonda	VBO 5507
64932058LQ	Pad Set	Jaguar, Jensen, Rover,	VBO 5556
64932061	Piston & Cyl.	Lancia	VBO 9418R
64932062	Piston & Cyl.	ISO, Lancia	VBO 5526
64932063	Piston & Cyl.	Alfa Romeo, Bristol, Daimler, Facel, Ferrari, Fiat, ISO, Jaguar, Jensen, Lancia, MGA	VBO 5539
64932065	Piston & Cyl.	Aston Martin, Daimler, Ferrari, Jensen, Lancia	VBO 5509
64932066	Piston & Cyl.	Alvis, Aston Martin, Facel, Ferrari, Jaguar,	VBO 5508
64932067	Piston & Cyl	Alvis, Aston Martin, Bristol, Daimler, Fiat, Jaguar, Jensen, Lancia, MGA	VBO 5506
64932068	Hand Brake	Rover	VBO 5505
64932069	Hand Brake	Rover	VB 75007A
64932076	Hand Brake	Daimler, Jaguar	VB 75007B
64932077	Hand Brake	Daimler, Jaguar	VB 75004A
64932078	Hand Brake	Jaguar, Jensen	VB 75004B
64932079	Hand Brake	Jaguar, Jensen	VBM 4242A
64932080	Hand Brake	Jaguar	VBM 4242B
64932081	Hand Brake	Jaguar	VBM 4273A
64932082	Hand Brake	Jaguar	VBM 4273B
64932083	Hand Brake	Jaguar	VBM 4272A
64932084	Hand Brake	Lancia	VBM 4272B
64932085	Hand Brake	Lancia	VBM 4251A
64932092	Hand Brake	Lancia	VBM 4251A
64932093	Hand Brake	Lancia	VBM 3737A
			VBM 3737B

GIRLING PART NO.	DESCRIPTION	APPLICATION	DUNLOP PART NO.
64932110	Hand Brake	Jaguar	VBM 3709A
64932111	Hand Brake	Jaguar	VBM 3709B
64932122	Hand Brake	Aston Martin	VBM 3732B
64932123	Hand Brake	Aston Martin	VBM 3732A
64932129LQ	Pad Set	Alfa Romeo. Alvis, Aston Martin, Bristol, Daimler, Facel, Ferrari, Fiat, ISO, Jaguar, Jensen, Lagonda, Lancia	VBO 9107R
64932131	Hand Brake	Bristol	VBM 4203B
64932132	Hand Brake	Bristol	VBM 4203A
64932218	Caliper	Jaguar	VB 1299B
64932219	Caliper	Jaguar	VB 1299A
64932310LQ	Pad Set	Aston Martin, Facel, Ferrari, Jaguar, Jensen, Lancia, MGA	VBO 8072R
64932354	Caliper	ISO	VB 1452B
64932355	Caliper	ISO	VB 1452A
64932386LP	Pad Set	Jaguar	VBO 9747N
64932386NM	Pad Set	Alfa Romeo	VBO 9747K
64932387LS	Pad Set	Jaguar	VBO 9927V
64932389LS	Pad Set	Jaguar	VBO 9747V
64947520	Hose	Rover	WDO 22679/7
64967012	M/Cyl. Con.	Daimler, Jaguar	VB 80029
64967017	M/Cyl. Con.	Jaguar	VBM 4044/1
64967019	M/Cyl. Con.	Jaguar	VBM 4720
64967021	M/Cyl. Con.	Jaguar	VBM 4057
64967022	M/Cyl. Con.	Jaguar	VBM 4734
64967023	M/Cyl. Con.	Jaguar	VBM 4705
64967024	M/Cyl. Con.	Jaguar	VBM 4706
64968029	M/Cyl. Con.	Ferrari, Jaguar, Jensen	VB 60097 VB 80025
64967025	M/Cyl. Con.	Jaguar	VB 80028

GIRLING PART NO.	DESCRIPTION	APPLICATION	DUNLOP PART NO.

# Dunlop Girling Cross Reference List.

DUNLOP NUMBER	GIRLING NUMBER	DUNLOP NUMBER	GIRLING NUMBER	DUNLOP NUMBER	GIRLING NUMBER
VB 1046A	64033147	VB 1341B	64033124	VB 80039	64068568
VB 1046B	64033146	VB 1348A	64033091	VB 80044	64068735
VB 1194A	64033175	VB 1348B	64033090	VB 95058A	64033043
VB 1194B	64033174	VB 1382A	64033070	VB 95058B	64033042
VB 1194A7	64033344	VB 1382B	64033071	VB 95059A	64033041
VB 1194B8	64033343	VB 1385A	64033063	VB 95059B	64033040
VB 1197A	64033121	VB 1385B	64033062	VB 97014A	64033019
VB 1197B	64033120	VB 1393A	64033061	VB 97014B	64033018
VB 1198A	64033007	VB 1393B	64033060	VBM 505	64328500
VB 1198B	64033006	VB 1394A	64033067	VBM 521	64047211
VB 1243A	64033133	VB 1394B	64033066	VBM 720	64328504
VB 1243B	64033132	VB 1401A	64033073	VBM 813	64329071
VB 1270A	64033029	VB 1401B	64033072	VBM 814	64329073
VB 1270B	64033028	VB 10000	64049311	VBM 970	64328802
VB 1271A	64033139	VB 20037/A	64150759	VBM 3301	64328817
VB 1271B	64033138	VB 20053	SP 2565	VBM 3507	64328492
VB 1272A	64033191	VB 20054	SP 2775	VBM 3574	64328494
VB 1272B	64033190	VB 20056/A-B	64068551	VBM 3583	64328695
VB 1275A	64033025	VB 20157	SP 2776	VBM 3650	64328498
VB 1275B	64033024	VB 20192	64328382	VBM 3709A	64932110
VB 1276A	64033059	VB 20249	64328355	VBM 3709B	64932111
VB 1276B	64033058	VB 20275	SP 2590	VBM 3732A	64932123
VB 1277A	64033055	VB 20303	64476179	VBM 3732B	64932122
VB 1277B	64033054	VB 20304	64476180	VBM 3737A	64932092
VB 1278A	64033051	VB 20328	64328177	VBM 3737B	64932093
VB 1278B	64033050	VB 20333	64328386	VBM 3748	64328502
VB 1279A	64033033	VB 20346	64476172	VBM 3764/2	64328256
VB 1279B	64033032	VB 20347	64476171	VBM 3786	64328697
VB 1280A	64033011	VB 20357	64328074	VBM 3870	64328496
VB 1280B	64033010	VB 20359	64476191	VBM 3886	64329204
VB 1281A	64033013	VB 20496	SP 2567	VBM 3981	64328860
VB 1281B	64033012	VB 20541A	64328246	VBM 4022	64068878
VB 1282A	64033151	VB 20541B	64328245	VBM 4023	64068575
VB 1282B	64033150	VB 20570	64328073	VBM 4028	64068597
VB 1283A	64033127	VB 20571	64328072	VBM 4042	64068593
VB 1283B	64033126	VB 20585V	64328263LM	VBM 4044/1	64068770
VB 1284A	64033143	VB 20585N	64328263LP		See Kit 64967017
VB 1284B	64033142	VB 20587	SP 9031	VBM 4057	64068777
VB 1285A	64033185	VB 20588	SP 9032		See Kit 64967021
VB 1285B	64033184	VB 49006A	64033021	VBM 4058	64068780
VB 1286A	64033017	VB 49006B	64033020	VBM 4059	64068340
VB 1286B	64033016	VB 50048	64328604	VBM 4203A	64932132
VB 1292A	64033159	VB 60097	64968029	VBM 4203B	64932131
VB 1292B	64033158	VB 60248A	64328289	VBM 4242A	64932078
VB 1293A	64033169	VB 60248B	64328288	VBM 4242B	64932079
VB 1293B	64033168	VB 60267	64328071	VBM 4251A	64932084
VB 1295A	64033165	VB 75004A	64932076	VBM 4251B	64932085
VB 1295B	64033164	VB 75004B	64932077	VBM 4272A	64932082
VB 1299A	64932219	VB 75007A	64932068	VBM 4272B	64932083
VB 1299B	64932218	VB 75007B	64932069	VBM 4273A	64932080
VB 1325A	64033087	VB 80022	64068583	VBM 4273B	64932081
VB 1325B	64033086	VB 80023	64068584	VBM 4431	64328821
VB 1332A	64033157	VB 80025	64968029		
VB 1332B	64033156	VB 80028	64068589		
VB 1333A	64033023		See Kit 64967025		
VB 1333B	64033022	VB 80029	64068590		
VB 1339A	64033346		See Kit 64967012		
VB 1339B	64033345				
VB 1341A	64033125				

# Dunlop Girling Cross Reference List.

DUNLOP NUMBER	GIRLING NUMBER	DUNLOP NUMBER	GIRLING NUMBER	DUNLOP NUMBER	GIRLING NUMBER
VBM 4572B	64328200	VBO 5181	64328130	VBO 8156	64328196
VBM 4613A	64328282	VBO 5184	64476462	VBO 8157	64328042
VBM 4613B	64328281	VBO 5185	64476461	VBO 8190	64328056
VBM 4630	64328819	VBO 5203	64476165	VBO 8198	64328208
VBM 4635/1	64328669	VBO 5204	64476164	VBO 8210A	SP 2556
VBM 4635/2	64328115	VBO 5504	64329312	VBO 8211A	SP 2557
VBM 4646/2	64328290	VBO 5505	64326367	VBO 8215	64328080
VBM 4654	64328047		Now 64932067	VBO 8217	64328070
VBM 4655	64328212	VBO 5506	64932066	VBO 8324	64476176
VBM 4656	64328213	VBO 5507	64932049	VBO 8325	64476175
VBM 4668	64049303	VBO 5508	64932065	VBO 8326	64476178
VBM 4705	64967023	VBO 5509	64932063	VBO 8327	64476177
	(64068877)	VBO 5518	64329340	VBO 8328 N	64328084LP
VBM 4706	64967024	VBO 5526	64932061	VBO 8328 PJ	64328084LR
VBM 4707	64068877	VBO 5539	64932062	VBO 8328 PS	64328084NV
VBM 4708	64066011	VBO 5544	64329316	VBO 8329B	64328127PX
VBM 4720	64068775	VBO 5545	64329317	VBO 8329N	64328127LP
	See Kit	VBO 5556	64932235	VBO 8329Z	64328127LM
VBM 4723	64066202		Now 64932049	VBO 8343K	64325877EQ
VBM 4730	64068742	VBO 5573	64328434	VBO 8344K	64329307EQ
VBM 4734	64068722	VBO 6002	64320646	VBO 8360B	64328144PX
	See Kit	VBO 6003	64110561	VBO 8378	SP 2570
VBM 4837	64328508	VBO 6015	64130921	VBO 8379	64328225
VBM 4875	64328506	VBO 6053	64100080	VBO 8385	64328463
VBM 4992	64328038	VBO 6056	64100181	VBO 8407	64328276
VBM 4993	64328037	VBO 6059	64100700	VBO 8446	64328460
VBM 5054	64328711	VBO 6100/D	64140361	VBO 8448	64328357
VBM 5075	64328470	VBO 6101/H	64140363	VBO 8467	64328077
VBM 5140	64329226	VBO 6101/L	64140119	VBO 8688A	SP 2554
VBM 5206	64328713	VBO 6101/E	64328356	VBO 8689A	SP 2558
VBM 5345	64328418	VBO 6111	64140362	VBO 8690A	SP 2559
VBM 5346	64328416	VBO 6118	40-5-32	VBO 8691A	SP 2555
VBO 662	64328789	VBO 6125	64140364	VBO 8692	SP 2564
VBO 2270	64328790	VBO 6154/E	64150753	VBO 8693A	SP 2562
VBO 2338	64328173	VBO 7217	64476260	VBO 8694	SP 2561
VBO 2350	64328159	VBO 7218	64476259	VBO 8757	64328462
VBO 3450	64328253	VBO 7289	64328075	VBO 8805	64328114
VBO 3588	64476167	VBO 7329	64328277	VBO 8873	64328050
VBO 3589	64476168	VBO 7330	64328278	VBO 8893	64328454
VBO 3597	64476174	VBO 7367	64328052	VBO 8932	SP 2569
VBO 3598	64476173	VBO 7385	64328053	VBO 8963	64328473
VBO 3926	64476455	VBO 7490	64328275	VBO 8984	64328461
VBO 3927	64476454	VBO 7555	64476183	VBO 8992	64328452
VBO 4124	64328106	VBO 7556	64476184	VBO 8993	64328453
VBO 4182	64328174	VBO 7588	64328055	VBO 9012	64047672
VBO 4190	64328076	VBO 7667	64328054	VBO 9014	64328484
VBO 4225	64328116	VBO 7702	64328041	VBO 9057	64130923
VBO 4226	64328653	VBO 7738A	64328468	VBO 9068	64120266
VBO 4315	64476170	VBO 7738B	64328467	VBO 9105L	64329279QF
VBO 4316	64476169	VBO 7865	64328459	VBO 9107R	64932129LQ
VBO 5100	64110558	VBO 7939	64328285	VBO 9115	64328455
VBO 5115	64328092	VBO 7995	64328051	VBO 9116	64328458
VBO 5116	64328131	VBO 8024	64328283	VBO 9119	64328373
VBO 5117	64328093	VBO 8041	SP 9008	VBO 9124	64476166
VBO 5118	64328132	VBO 8062	SP 9016	VBO 9128	64328472
VBO 5123	64328005	VBO 8063	SP 2616	VBO 9129	64476192
VBO 5125	64328085	VBO 8072R	64932310LQ	VBO 9153	SP 2566
VBO 5133	64328004	VBO 8090	64328286	VBO 9167	64328451
VBO 5153	64110562	VBO 8095	64328287	VBO 9221	64328353
VBO 5180	64328129				

# Dunlop Girling Cross Reference List.

DUNLOP NUMBER	GIRLING NUMBER	DUNLOP NUMBER	GIRLING NUMBER	DUNLOP NUMBER	GIRLING NUMBER
VBO 9222	64328351	WDO 22676/15½	64047676		
VBO 9223	64470444	WDO 22679/7	64047674		
VBO 9226	64476195		Now 64947520		
VBO 9227	64476194	WDO 22679/13½	64046027		
VBO 9300	64328325	WDO 22680/10½	64046049		
VBO 9330	64328425	WDO 22680/12 ⅛	64047357		
VBO 9332A	64328427	WDO 22680/13 ½/13 ⅜	64047359		
VBO 9332B	64328426	WDO 22680/13 ⅛	64046050		
VBO 9341	64328456	WDO 22680/16½	64047655		
VBO 9367	64326364	WDO 22681/8 ⅛	64047381		
VBO 9380	64328180	WDO 22681/9	64046053		
VBO 9418R	64932058LQ	WDO 22681/13	64047385		
VBO 9436	SP 9027	WDO 22681/13½	64047386		
VBO 9470	64328457	WDO 22681/15	64046054		
VBO 9537	64047679	WDO 22681/16½	64046088		
VBO 9550	64328323				
VBO 9552A	64328327				
VBO 9552B	64328326				
VBO 9562	64325009				
VBO 9577	SP 9000				
VBO 9595/PD	64328471PV				
VBO 9622	SP 2553				
VBO 9667	64328479				
VBO 9675	SP 9004				
VBO 9696	64328433				
VBO 9715	64476190				
VBO 9726	64328410				
VBO 9727	64328359				
VBO 9728A	64328390				
VBO 9728B	64328391				
VBO 9730A	64328392				
VBO 9730B	64328391				
VBO 9732	64328397				
VBO 9741	64328375				
VBO 9742	64328377				
VBO 9744	64328381				
VBO 9745	64328379				
VBO 9746	64328380				
VBO 9747 N	64932386LP				
VBO 9747 K	64932386NM				
VBO 9747 V	64932389LS				
VBO 9840	SP 9021				
VBO 9872	64328330				
VBO 9874	64328332				
VBO 9875A	64328334				
VBO 9875B	64328333				
VBO 9877	64476189				
VBO 9878	64476188				
VBO 9927 V	64932387LS				
VBO 9946	64476187				
VBO 9947	64476186				
VBO 9948	64328421				
VBO 9970	64328362				
VBO 9992	64328413				
VBO 9995	64328385				
WDO 22671/11	64046181				
WDO 22671/15½	64047675				
WDO 22671/17 ⅜	64047682				
WDO 22676/12	64047670				



GIRLING LIMITED, SALES & SERVICE  
Birmingham Road, West Bromwich, Staffs  
Telephone: 021-553 2969  
Telegrams: Wonder West Bromwich  
Telex 338801-2  
( a Lucas Company)