

1

2

3

4

5

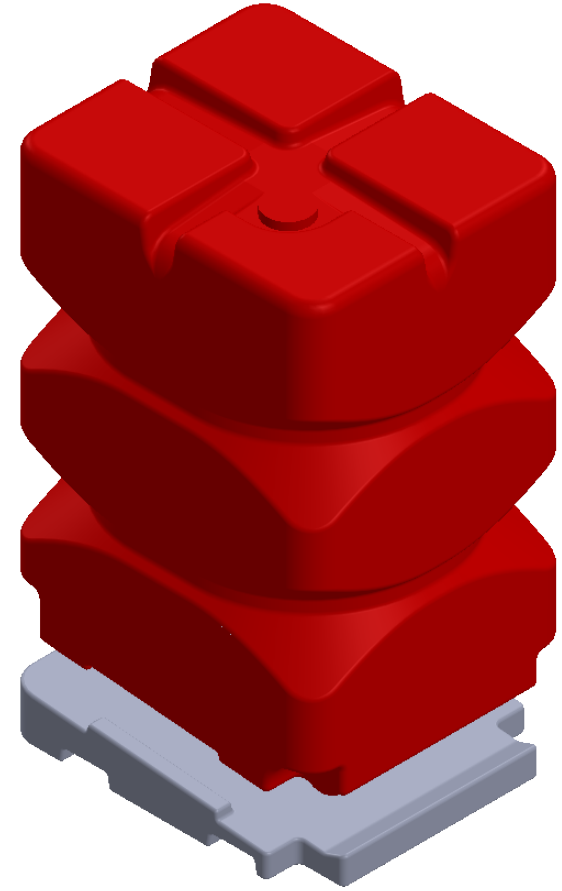
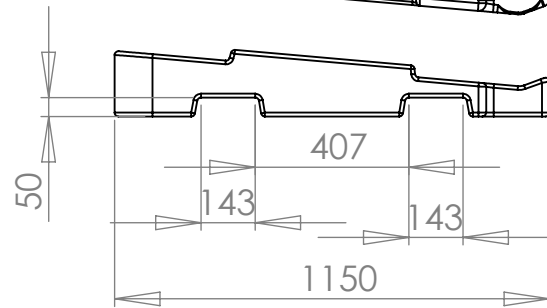
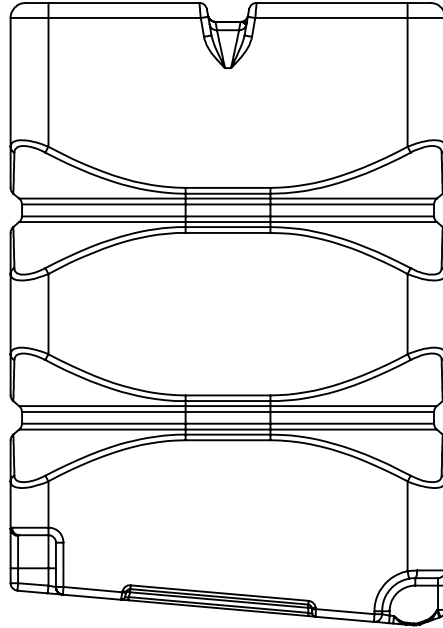
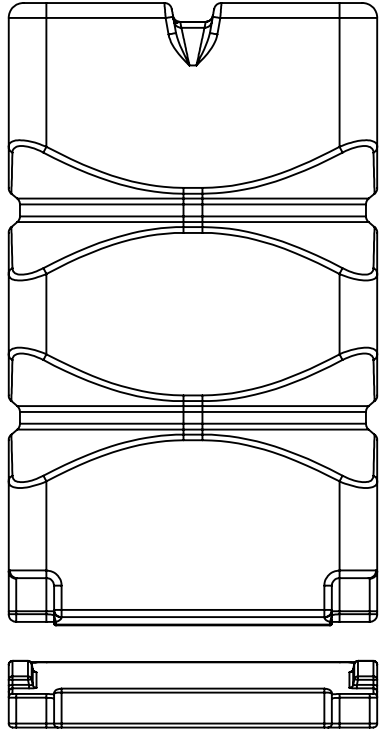
6

A

B

C

D



The ownership of any and all copyright subsisting in this drawing vests in and remains the exclusive property of Pioneer Plastics (Pty) Limited. Reproduction, publication, copying, distributing, making an adaption, or any unauthorised disclosure of the drawing, in whole or in part, in any manner or form, without the prior written consent of Pioneer Plastics (Pty) Limited, is strictly prohibited. Pioneer Plastics (Pty) Limited reserves the right to take legal action against anycontravention of this provision.

MATERIAL: LLDPE
 DATE: 2026/05/06
 DO NOT SCALE DRAWING
 DRAWN BY: N.J.Swardt
 APPROVED: [Signature]
 REVISION: 01

TITLE: Plinth and tank modification rev 01

DWG NO. A4
 AFMISA 865