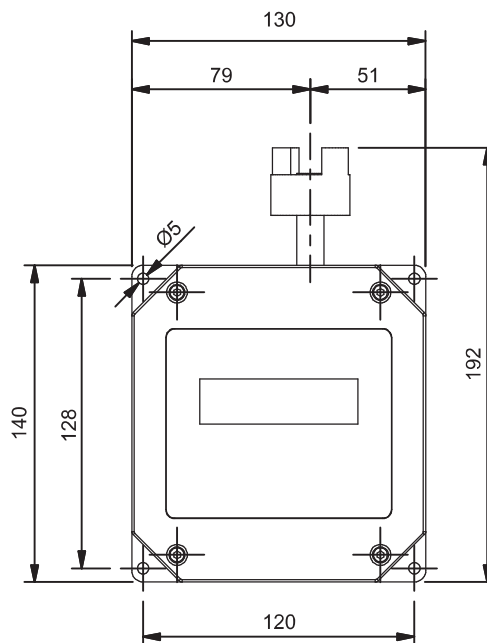
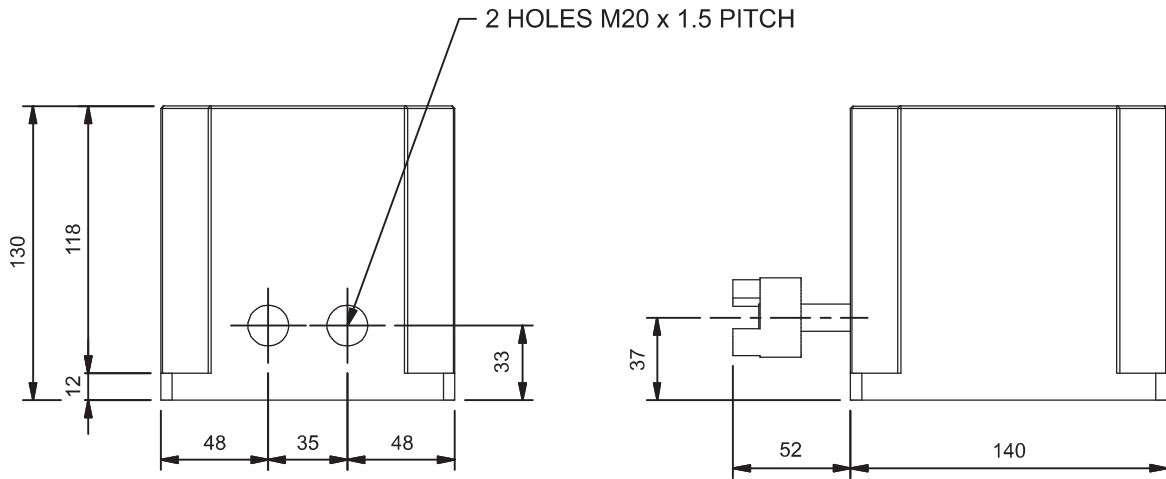
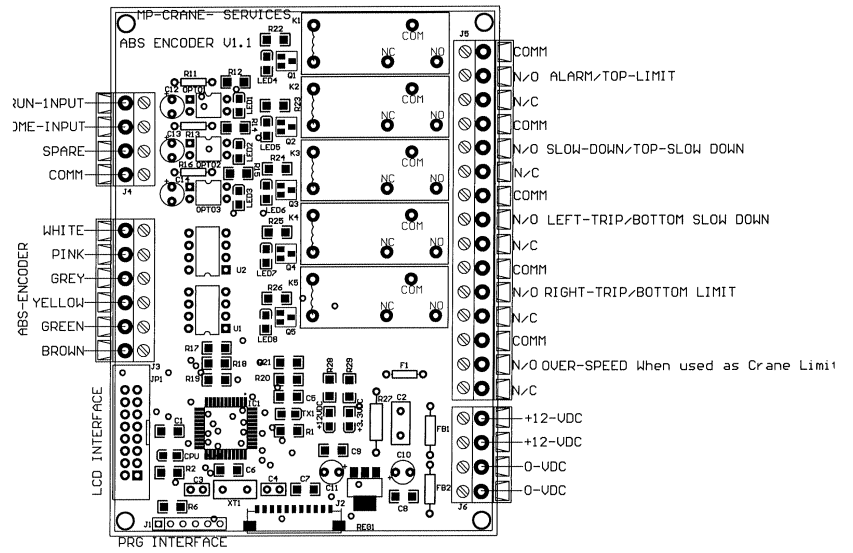


**Parts List:**

1. Bottom Part
2. Shaft
3. Bearing Set
4. Coupling
5. Circlip
6. Encoder
7. 8 x M3 Cap Screws
8. 4 x M5 Stainless Steel Cap Screws
9. Size 0 Compression Gland
10. Control Card
11. Ribbon Cable
12. Top Part
13. Display Board (LCD)
14. Key Pad



**PLAN VIEW**