

Type _____
Project _____
Date _____

Profile 1™ LED Linear Fixture | NSF Listed

Description

The Profile 1 is a rugged LED linear fixture built for wet, dusty, and demanding environments. Its seamless co-extruded polycarbonate profile integrates the housing and lens into a single piece, delivering clean lines and UL f1 rated UV stability. IP65/IP66 certified and UL wet location rated, it performs reliably in warehouses, cold storage, food processing, and outdoor applications. 316 stainless steel brackets provide corrosion-resistant mounting, with 2', 4', and 8' lengths available in black or white.



Polycarbonate Housing



Part Number Breakdown Example

BASE								OPTIONS				
PRF	4	FPB	10L	40K	90	H	DTO	MB	E10	C10	OS	
Family	Length	Body Options	Endcap	Lumens	CCT	CRI	Voltage	Dimming	Mounting	Emergency	Cord	Control
PRF: Profile 1	2: 2 ft 4: 4 ft 8: 8 ft	FP: Frosted PC BP: Black PC	B: Black W: White	2 ft 2L: 2,000 lm 5L: 5,000 lm 4 ft 4L: 4,000 lm 5L: 5,000 lm 8L: 8,000 lm 10L: 10,000 lm 8 ft 10L: 10,000 lm 12L: 12,000 lm 16L: 16,000 lm 20L: 20,000 lm	30K: 3000K 40K: 4000K 50K: 5000K	Blank: 80 CRI 90: 90 CRI	Blank: Universal (120-277 VAC) H: High (347-480 VAC)	Blank: 0-10V DTO: Dim to OFF	MB: Mounting Bracket B: Bail	E10: 10 W Emergency	C10: 10 ft White C10P: 10 ft White Cord with Plug	OS: PIR Occupancy Sensor

*Note: SLP offers extended lumen packages, ask our customer service for more info
*Note: Rigid mounting option is not NSF approved

Benefits and Features

- IP65/IP66 certified and UL wet location rated for reliable performance in harsh, wet, and dusty environments
- Seamless co-extruded polycarbonate profile integrates housing and lens into a single piece for a clean, latchless design
- NSF-certified for food-zone sanitation compliance
- Internals have an encapsulated shield for higher voltage components
- Encapsulated electrical enclosure protects higher-voltage components per UL 1598 standards
- Impact-resistant acrylic or polycarbonate body options.
- Available in 2 ft, 4ft, or 8 ft
- Made in USA with BAA/BABA compliance.

Electrical

- Universal voltage operation (120-277 VAC) standard.
- High voltage option available (347-480 VAC).
- Standard 0-10V dimming for lighting control integration.
- Dim-to-off capability for maximum energy savings.

Applications

- Warehouses and distribution centers
- Cold storage and freezer facilities
- Food processing and commercial kitchens
- Supermarkets and garden centers
- Loading docks and parking structures
- Pharmaceutical manufacturing
- Transportation and subway platforms
- Locker rooms and utility areas

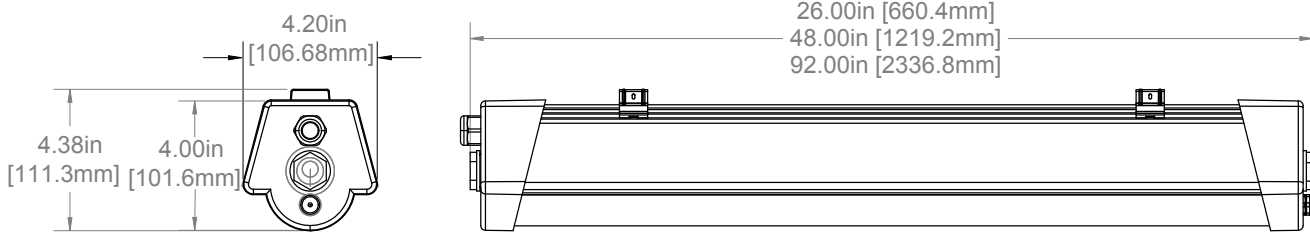
Certifications

- UL 1598 listed for wet location applications
- NSF International certified for food service environments
- IP65, IP66, ingress protection ratings

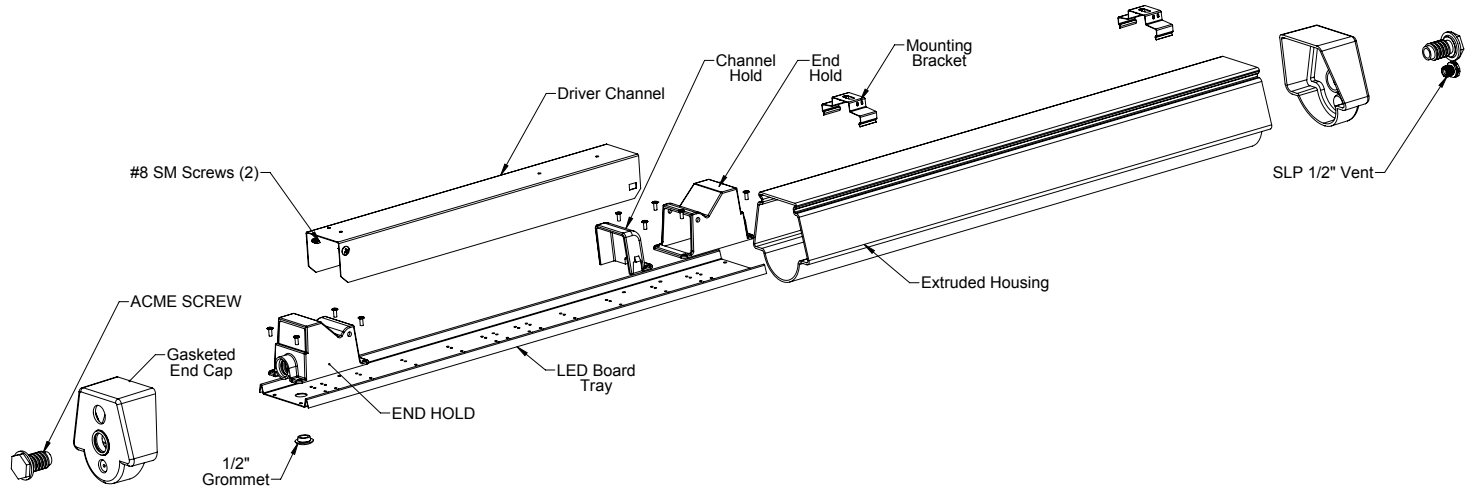


Type _____
 Project _____
 Date _____

Dimensional Diagram



Component Assembly View





Specification Sheet
Profile 1™

Type _____
Project _____
Date _____

General Specifications

Physical	Value
Dimensions (4 ft)	48" x 4.20" x 4.38"
Weight / Housing Material	X lbs* / Polycarbonate or Acrylic body and Stainless Steel endcaps
Housing Material	Frosted PC, Black PC
Endcap	Black, White
Electrical	Value
Input	120-277 VAC (Universal)
High Voltage Option	347-480 VAC
Frequency	50/60 Hz
Power Factor	>0.90
Dimming / Option	0-10V Standard / Dim-to-off
Performance	Value
Lumen Packages	2,000 - 20,000 lumens
Wattage Range	14W-148W
Efficacy	Up to 140 lm/W
CCT Options	3000K, 4000K, 5000K
CRI	80 (Standard), 90 (Optional)
Operating Temp	-40°F to 113°F (-40°C to 45°C)
Environmental	Value
IP Rating	IP65, IP66
NSF	Certified (Near Food Safe)
UL Listing	Wet Location, UL 1598
Warranty	5 Year**
Mounting	Value
Mounting Option	mounting bracket, Bail
Continuous Row	No

*Note: Weight varies from lumen packages, mounting and options

**Note: 5-Year Warranty based on our Limited Warranty Document



1400 S Old Highway 141
Fenton, MO 63026
www.slplighting.com
636.660.4084

Contact customer support for all product options.
Note: Product specifications and details subject to change without notification.



Made in USA · BAA & BABA Compliant · Version 1.1 06/02/26