

Type _____
Project _____
Date _____

ProTube 2 ft, 4 ft, 8 ft Vapor Tight Linear Light

Description

The ProTube is a high-performance food-grade LED linear fixture engineered for rigorous wash-down environments. With an IP69 rating, it withstands high-pressure, high-temperature water jets up to 80°C (176°F) from nozzle distances of 15-20 cm (6-8 inches). Built to NSF food-zone standards, its smooth circular housing prevents accumulation of debris or residues, enabling fast, thorough cleaning and sanitation.



Polycarbonate Housing and Stainless Steel



Part Number Breakdown Example

BASE							OPTIONS					
PROT	4	FP	10L	40K	90	H	DTO	WMB	E10	C10	OS	
Family	Length	Body Options	Lumens	CCT	CRI	Voltage	Dimming	Mounting	Emergency	Cord	Control	
PROT: ProTube	2: 2 ft 4: 4 ft 8: 8 ft	CP: Clear PC* FP: Frosted PC	2 ft 2L: 2,000 lm 5L: 5,000 lm 4 ft 4L: 4,000 lm 5L: 5,000 lm 8L: 8,000 lm 10L: 10,000 lm 8 ft 10L: 10,000 lm 12L: 12,000 lm 16L: 16,000 lm 20L: 20,000 lm	30K: 3000K 35K: 3500K 40K: 4000K 50K: 5000K	Blank: 80 CRI 90: 90 CRI	Blank: Universal (120-277 VAC) H: High (347-480 VAC)	Blank: 0-10V DTO: Dim to OFF	WMB: Wire Form Bracket (120-277 VAC) LMB: Latch Mount Bracket RMB: Rigid Mount Bracket	E10: 10 W Emergency	C10: 10 ft White C10P: 10 ft White Cord with Plug	OS: PIR Occupancy Sensor	

*Note: SLP offers extended lumen packages, ask our customer service for more info
*Note: Latch mounting bracket (PROT-LMB) option is not NSF approved
*Note: Clear PC body option subject to minimum order quantity.

Benefits and Features

- IP69-rated housing withstands high-pressure, high-temperature wash-down up to 176°F
- Smooth circular design prevents debris accumulation for fast, thorough cleaning
- NSF-certified for food-zone sanitation compliance
- Stainless steel end caps for durability in harsh environments
- Tool-free body and board tray reduces maintenance time
- Impact-resistant acrylic or polycarbonate body options.
- Available in 2 ft, 4ft, or 8 ft
- Made in USA with BAA/BABA compliance.

Electrical

- Universal voltage operation (120-277 VAC) standard.
- High voltage option available (347-480 VAC).
- Standard 0-10V dimming for lighting control integration.
- Dim-to-off capability for maximum energy savings.

Applications

- Food processing, meat processing, and agriculture facilities
- Cold storage and freezer facilities
- Commercial kitchens and food preparation areas
- Pharmaceutical manufacturing
- Car wash facilities
- Dairy processing and beverage production facilities
- Marine and boat wash facilities
- Industrial and chemical cleaning stations

Certifications

- UL 1598 listed for wet location applications
- NSF International certified for food service environments
- IP65, IP66, IP67, and IP69 ingress protection ratings
- NEMA 4X rated for corrosive and wash-down conditions

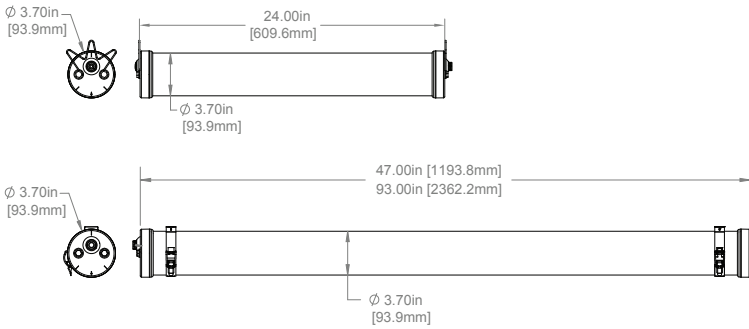


Type _____
 Project _____
 Date _____

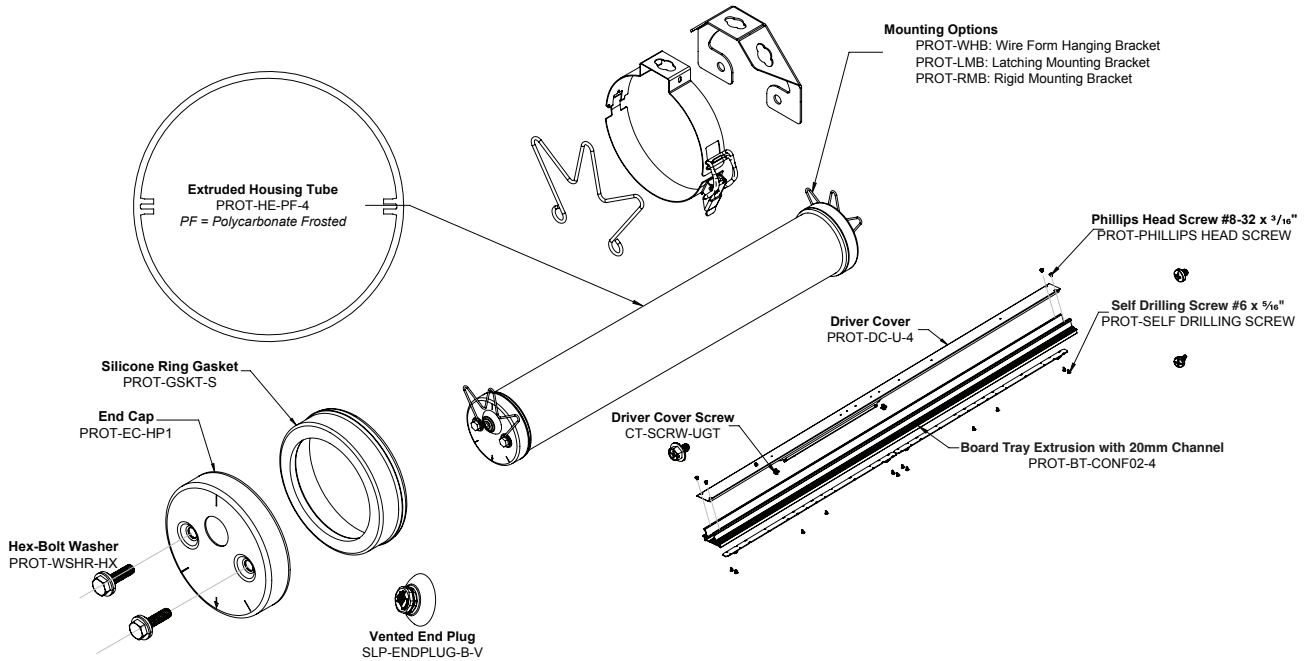
Installation

- Multiple mounting options: wire form bracket, latch mount, or rigid mount
- Stainless steel mounting hardware included with fixture
- Tool-free lens and tray access for quick maintenance during wash-down cycles

Dimensional Diagram



Component Assembly View





Specification Sheet
ProTube™

Type _____
Project _____
Date _____

General Specifications

Physical	Value
Dimensions (L x D)	47" x 3.7"
Weight / Housing Material	X lbs* / Polycarbonate or Acrylic body and Stainless Steel endcaps
Lens Material	Acrylic or Polycarbonate
Lens Options	Clear PC, Frosted PC, Clear Acrylic, Frosted Acrylic
Electrical	Value
Input	120-277 VAC (Universal)
High Voltage Option	347-480 VAC
Frequency	50/60 Hz
Power Factor	>0.90
Dimming / Option	0-10V Standard / Dim-to-off
Performance	Value
Lumen Packages	2,000 - 20,000 lumens
Wattage Range	14W–148W
Efficacy	Up to 140 lm/W
CCT Options	3000K, 3500K, 4000K, 5000K, Selectable 35K-40K-50K
CRI	80 (Standard), 90 (Optional)
Operating Temp	-40°F to 113°F (-40°C to 45°C)
Environmental	Value
IP Rating	IP65, IP66, IP67, IP69
NEMA Rating	4X
NSF	Certified (Near Food Safe)
UL Listing	Wet Location, UL 1598
Warranty	5 Year**
Mounting	Value
Mounting Option	wire form, latch, rigid
Continuous Row	No

*Note: Weight varies from lumen packages, mounting and options

**Note: 5-Year Warranty based on our Limited Warranty Document



1400 S Old Highway 141
Fenton, MO 63026
www.slplighting.com
636.660.4084

Contact customer support for all product options.
Note: Product specifications and details subject to change without notification.



Made in USA · BAA & BABA Compliant · Version 2.4 04/01/26