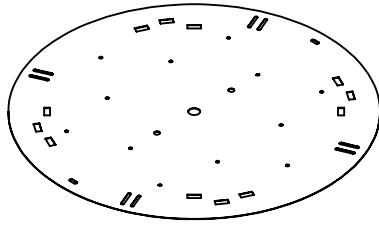
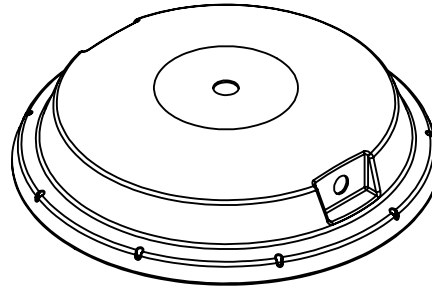


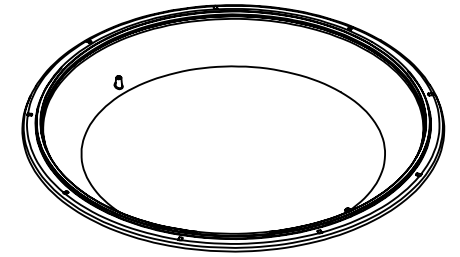
2XDAR PLATE
□ CTR-2XDAR



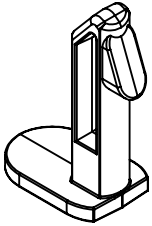
CTR BOARD TRAY
□ CTR-BT1-18



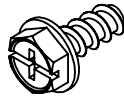
CTR HOUSING
□ CTR-HV5-18-PIP
□ CTR-HV5-18-PIP-JB(OPTION)



CTR LENS
□ CTR-LENS-18-PC
□ CTR-LENS-18-ACR
□ CTR-LENS-18-PC-FR50
□ CTR-LENS-18-ACR-FR50



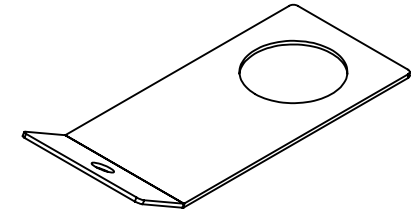
CTR LENS PIN
□ SLP-PIN



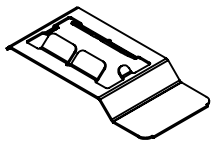
GEARTRAY RETAINER CLIP SCREW
□ CT-SCRW



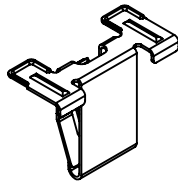
DRIVER ATTACH SCREW
□ CT-SCRW-UGT



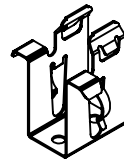
CTR SAFETY BRACKET
□ SLP-BKT-SAF (OPTION)



CT-2XDAR CLIP
□ CT-2XDAR-CLIP



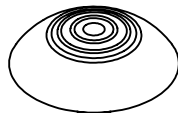
BOARD RETENTION CLIP
□ CT-LED-BRC-SM-S



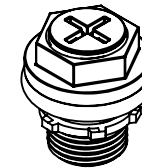
GEARTRAY RETAINER CLIP
□ CT-RC



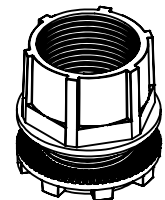
CITADEL ENDPLUG
□ CT-ENDPLUG-B



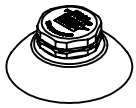
CITADEL ENDPLUG
□ SLP-ENDPLUG-B-75



1/2" HUB
□ CT-DCB-50
(OPTION)



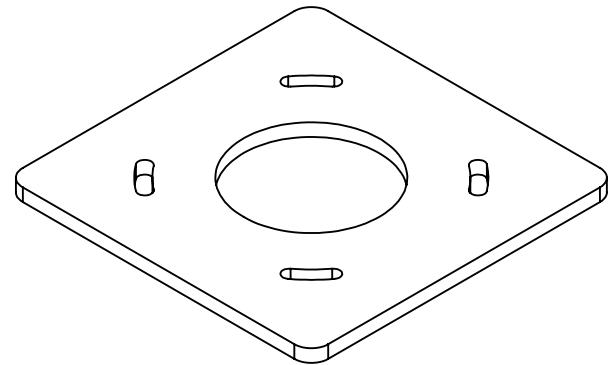
5/4" HUB
□ CT-DCB-75
(OPTION)



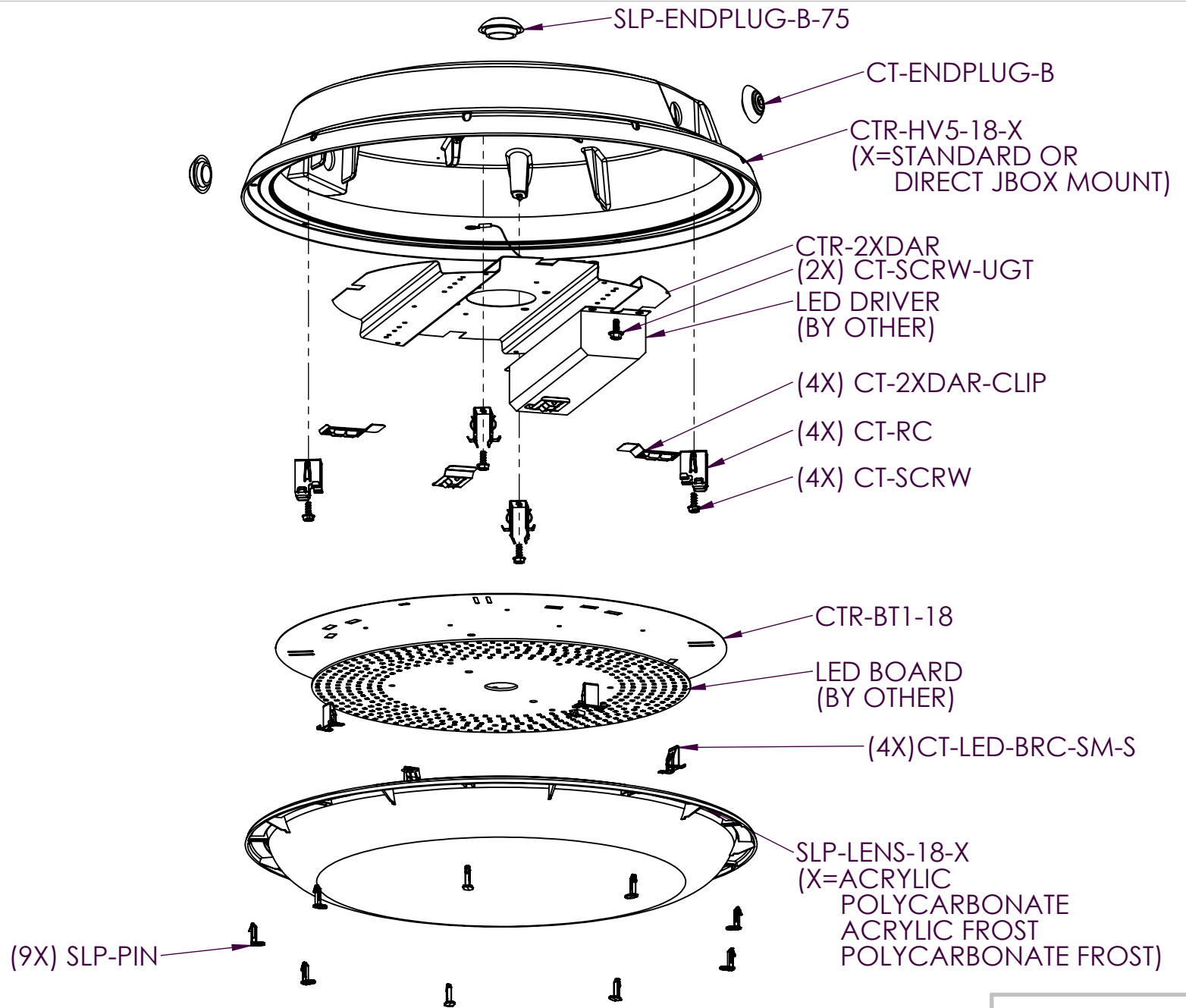
ENDPLUG WITH VENT
☐ SLP-ENDPLUG-B-V (OPTION)

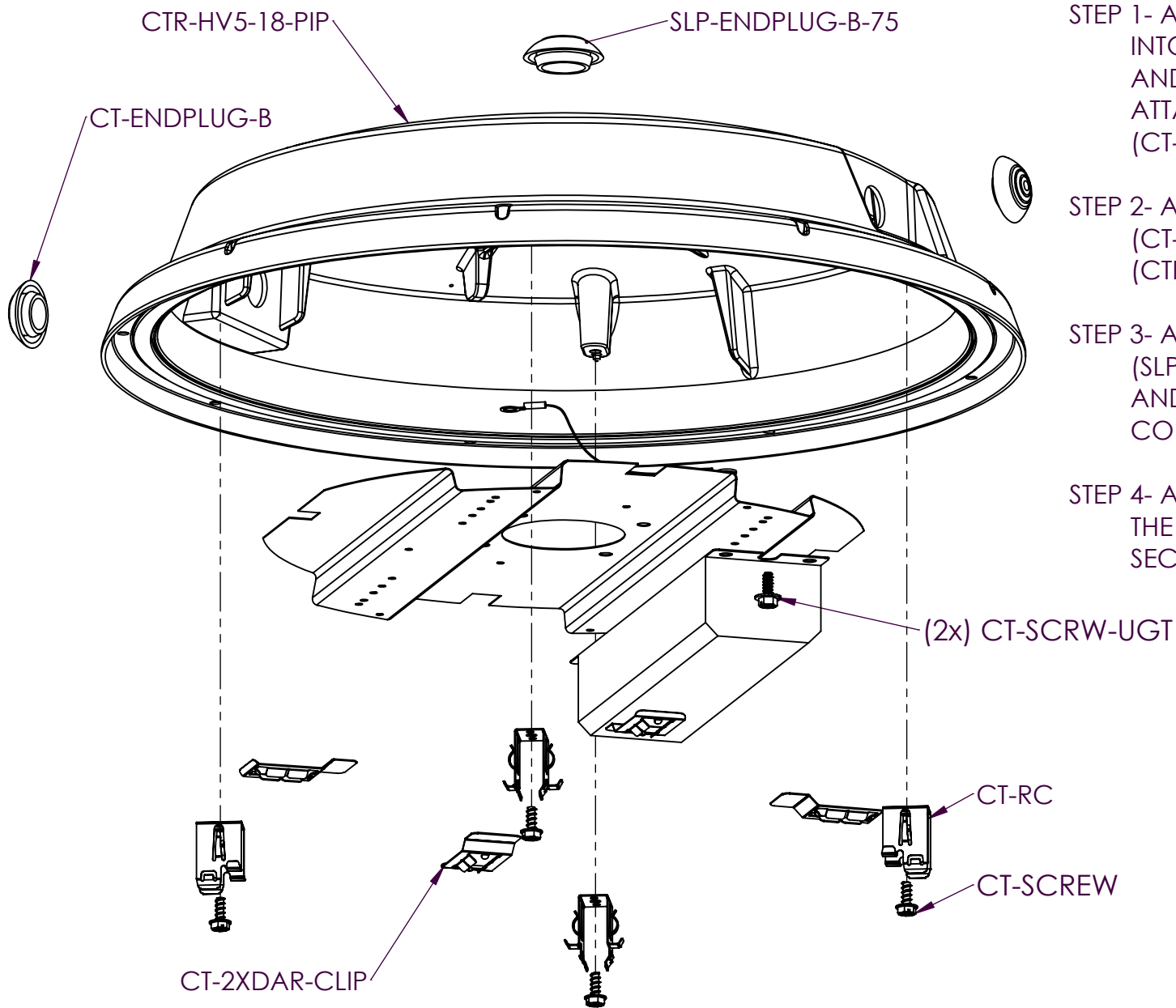


STAINLESS STEEL HOOK
☐ SLP-HOOK-SS-NH75NPT



DIRECT TO JBOX GASKET
☐ SLP-GSK-JBX (OPTION)



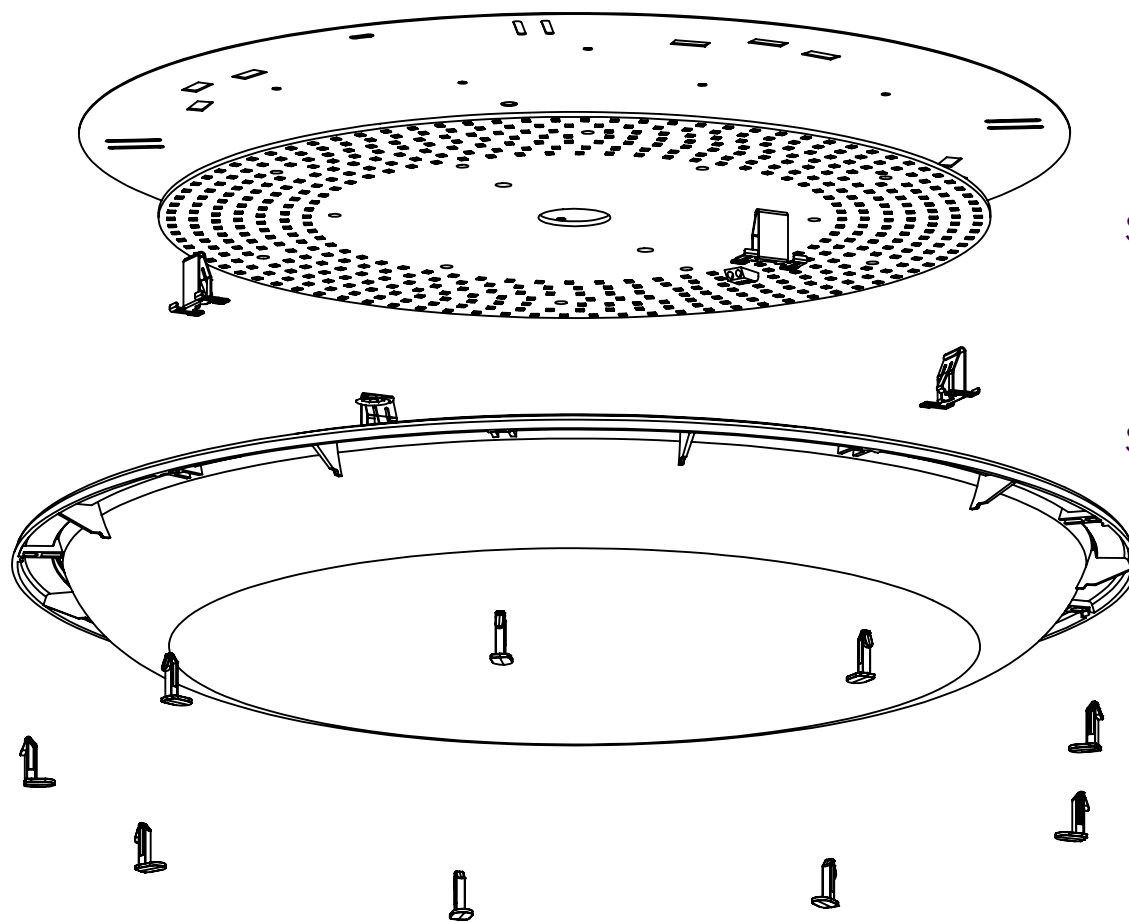


STEP 1- ATTACH DAR PLATE (CTR-2XDAR) INTO THE HOUSING (CTR-HV8-18-PIP) AND SECURE WITH DRIVER ATTACHMENT RAIL CLIPS (CT-2XDAR-CLIP)

STEP 2- ATTACH BOARDTRAY RETAINER CLIP (CT-RC) TO THE HOUSING (CTR-HV5-18-PIP) AT THE BOSSES

STEP 3- ATTACH ENDPLUGS IF NEEDED (SLP-ENDPLUG-B-75) AT THE TOP AND (CT-ENDPLUG-B) FOR THE SIDE CONDUIT LOCATIONS.

STEP 4- ATTACH DRIVER (BY OTHERS) TO THE DRIVER ATTACHMENT RAIL AND SECURE WITH SCREWS (CT-SCRW-UGT)



STEP 1- ATTACH LED BOARD TO THE BOARD TRAY (CTR-BT1-18) AND SECURE WITH LED BOARD RETAINER CLIPS (CT-LED-BRC-SM-S) THERE IS A HOLE PATTERN TO USE THREADING SCREWS

STEP 2- ATTACH THE BOARD TRAY (CTR-BT1-18) TO THE FIBER GLASS HOUSING (CTR-HV5-18) AT THE RETAINER CLIPS (CT-RC)

STEP 3- ATTACH THE DIFFUSER (CTR-LENS-X) TO HOUSING (CTR-HV5-18-PIP) USING THE PININSERT™ SYSTEM (SLP-PIN)