

Type \_\_\_\_\_  
Project \_\_\_\_\_  
Date \_\_\_\_\_

## Citadel4s™ 2 Ft. Compact Vapor Tight Light

### Description

The Citadel4S™ Compact Vapor Tight LED Low Bay is purpose-built for tight spaces that demand superior protection. Combining proven Citadel features into a smaller footprint, this fixture achieves IP65, IP66, IP67, and IP69 ratings along with NEMA 4X certification for high-pressure washdowns and corrosive environments. The UL 5VA fiberglass housing won't melt or burn, and the poured-in-place polyurethane gasket ensures exceptional sealing. NSF-certified for food processing, it's ideal for low bay areas in processing plants, cold storage, parking structures, and industrial facilities where space is limited but protection isn't optional.



Fiberglass Housing



### Part Number Breakdown Example

BASE							OPTIONS								
CT4S	SFA	10L40	90	H	DTO	SS	VH	2T50	E10	C10	OS				
Family	Length	Lens Options	Lumens	CCT	CRI	Voltage	Dimming	Latches	Mounting	Hub Location	Emergency	Cord	Control		
Citadel 4 small	2: 2 ft	SCA: Smooth Clear Acrylic SFA: Smooth Frosted Acrylic SCP: Smooth Clear PC SFP: Smooth Frosted PC	10L: 10,000 lm 15L: 15,000 lm 20L: 20,000 lm XL: xx,000 lm*	40K: 4000K 50K: 5000K	Blank: 80 CRI 90: 90 CRI	Blank: Universal (120-277 VAC) H: High (347-480 VAC)	Blank: 0-10V DTO: Dim to OFF	W: White SS: Stainless Steel	VH: V-hook MSS: Mounting Strap MBS: Rigid Mount SPM: Single Pendant ¾"	2T50: 2 Top ½" E50: 1 End ½" C75: Center ¾"	E10: 10 W Emergency	C10P: 10 ft Cord with Plug	OS: PIR Occupancy Sensor		

\*Note: SLP offers extended lumen packages, ask our customer service for more info

### Benefits and Features

- Non-combustible UL 5VA fiberglass housing won't melt or burn
- UV-stabilized f1 rating for continuous outdoor exposure
- UL 746 certified for water exposure and immersion
- Poured-in-place polyurethane gasket creates watertight seal
- Fungus-resistant gasket prevents biological growth
- Captive latches won't fall off during maintenance
- Tool-free latch operation reduces service time
- Available in white or 316 stainless steel latches
- Impact-resistant acrylic or polycarbonate lens options
- Compact low bay design fits tight spaces
- Made in USA with BAA/BABA compliance

### Electrical

- Universal voltage operation (120-277 VAC) standard.
- High voltage option available (347-480 VAC).
- Standard 0-10V dimming for lighting control integration.
- Dim-to-off capability for maximum energy savings.
- Multi-CCT switchable options (3000K/4000K/5000K).

### Applications

- Parking garages and covered parking structures
- Food processing facilities requiring washdown capabilities
- Cold storage warehouses and walk-in freezers
- Manufacturing facilities with dust and moisture
- Low ceiling industrial areas and mezzanines
- Loading docks and shipping/receiving areas
- Commercial kitchens and prep areas
- Car wash facilities

### Certifications

- UL 1598 listed for wet location applications.
- NSF International certified for food service environments.
- IP65, IP66, IP67, and IP69 ingress protection ratings.
- NEMA 4X rated for corrosive and outdoor conditions.
- RoHS compliant for environmental safety.
- DLC QPL qualified for energy rebate programs.

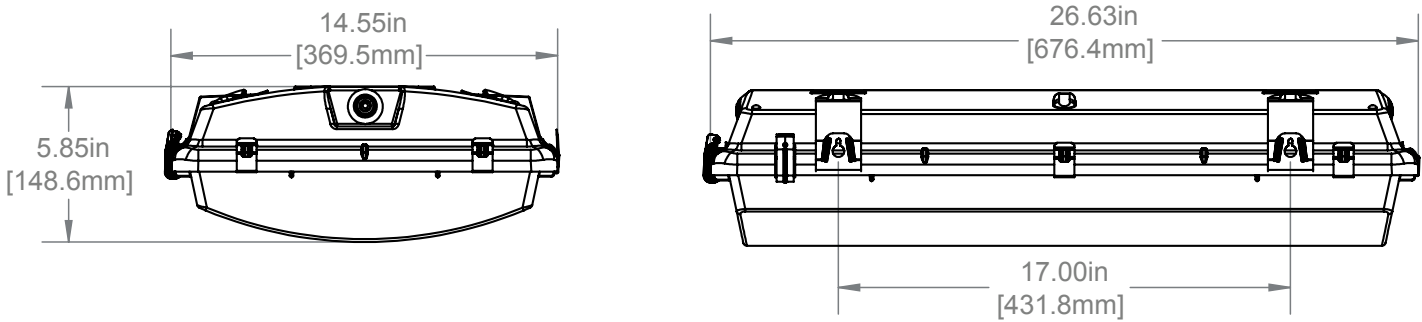


Type \_\_\_\_\_  
 Project \_\_\_\_\_  
 Date \_\_\_\_\_

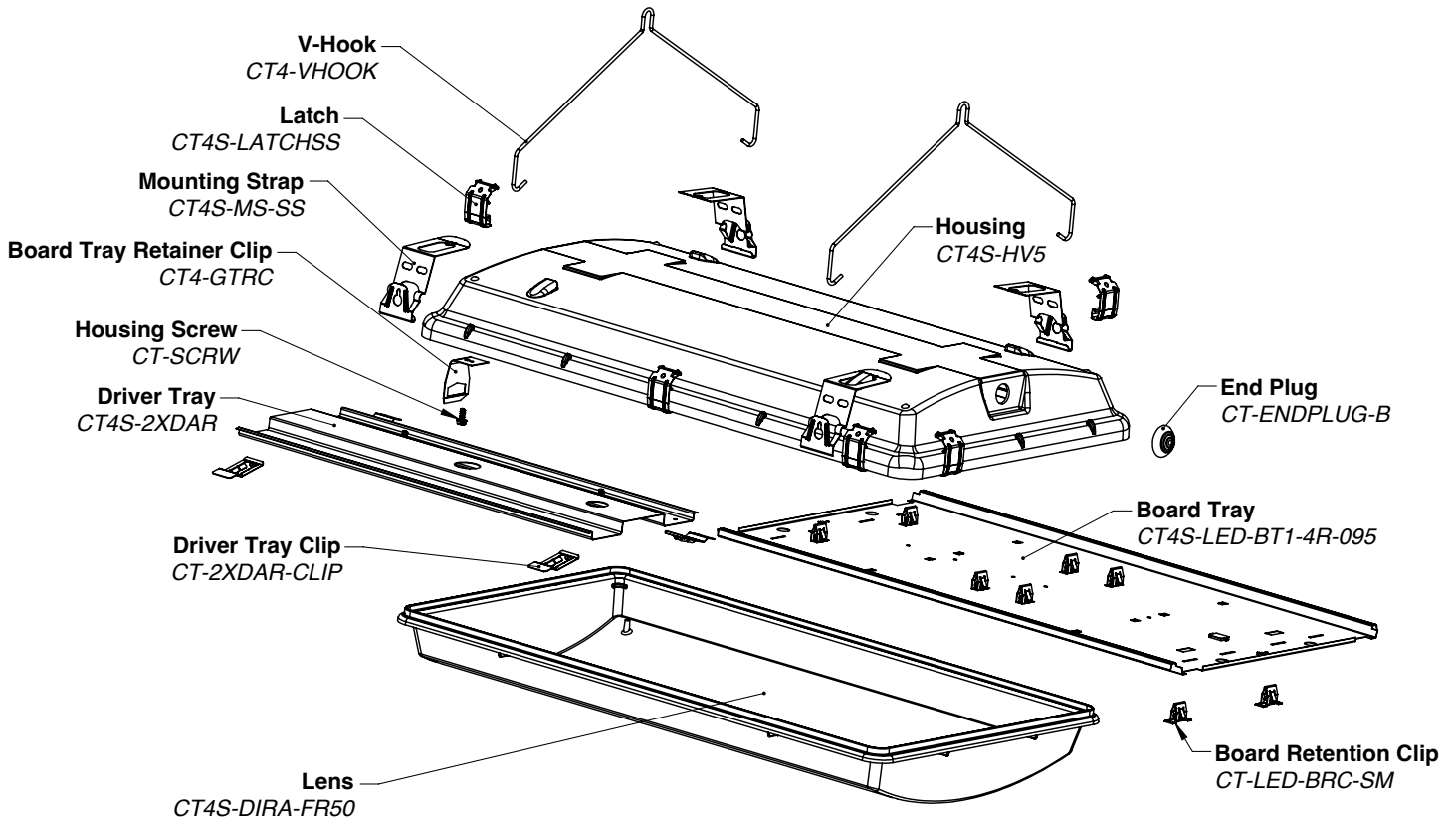
**Installation**

- Multiple mounting options: V-hook, bracket, pendant, or cable
- Stainless steel or zinc-plated mounting straps included
- Tool-free lens and tray access for quick maintenance
- Hub configurations available in ½" NPT
- Flexible or rigid ceiling mount configurations available

**Dimensional Diagram**



**Component Assembly View (2 Ft. Fixture Example)**





Specification Sheet  
Citadel™ 4s

Type \_\_\_\_\_  
Project \_\_\_\_\_  
Date \_\_\_\_\_

General Specifications

Physical	Value
Dimensions (L x W x H)	26.5" x 14.5" x 5.8"
Weight / Housing Material	X lbs* / UL 5VA Fiberglass
Lens Material	Acrylic or Polycarbonate
Lens Options	Clear, FR50 Frosted
Lens Profiles	Smooth Shallow
Electrical	Value
Input	120-277 VAC (Universal)
High Voltage Option	347-480 VAC
Frequency	50/60 Hz
Power Factor	>0.90
Dimming / Option	0-10V Standard / Dim-to-off
Performance	Value
Lumen Packages	X,000 - X,000 lumens
Wattage Range	XW - XW
Efficacy	Up to X lm/W
CCT Options	4000K, 5000K
CRI	80 (Standard), 90 (Optional)
Operating Temp	-40°F to 131°F (-40°C to 55°C)
Environmental	Value
IP Rating	IP65, IP66, IP67, IP69
NEMA Rating	4X
NSF	Certified (Near Food Safe)
UL Listing	Wet Location, UL 1598
Warranty	5 Year**
Mounting	Value
Mounting Option	V-Hook, Mounting Bracket, Rigid Mount, Pendant, Cable
Hub Sizes	½" NPT, ¾" NPT
Continuous Row	No

\*Note: Weight varies from lumen packages, mounting and options

\*\*Note: 5-Year Warranty based on our Limited Warranty Document



1400 S Old Highway 141  
Fenton, MO 63026  
www.slplighting.com  
636.660.4084

Contact customer support for all product options.  
Note: Product specifications and details subject to change without notification.



Made in USA · BAA & BABA Compliant · Version 2.3 06/24/26