

Type _____
Project _____
Date _____

Citadel2™ 4 Ft. Vapor Tight Linear LED Light

Description

The Citadel2™ 4 Ft. Vapor Tight Linear LED Light is engineered for the harshest environments. Constructed from impact-resistant fiberglass with a poured-in-place gasket, this fixture achieves IP65, IP66, IP67, and NEMA 4X ratings to withstand moisture, dust, and high-pressure washdowns. NSF-certified for food processing, it delivers reliable performance in freezers, parking garages, chemical plants, and manufacturing facilities where durability isn't optional.



Fiberglass Housing



Part Number Breakdown Example

BASE							OPTIONS								
CT2	4SFA	5L40	90	H	DTO	SS	MBB	2T50	E10	C10	OS				
Family	Length	Lens Options	Lumens	CCT	CRI	Voltage	Dimming	Latches	Mounting	Hub Location	Emergency	Cord	Control		
Citadel 2	4: 4 ft	SCA: Smooth Clear Acrylic SFA: Smooth Frosted Acrylic RFA: Ribbed Frosted Acrylic SCP: Smooth Clear PC SFP: Smooth Frosted PC RCA: Ribbed Clear Acrylic	4L: 4,000 lm 5L: 5,000 lm 7L: 7,000 lm 8L: 8,000 lm 10L: 10,000 lm 12L: 12,000 lm XL: xx,000 lm*	30K: 3000K 35K: 3500K 40K: 4000K 50K: 5000K	Blank: 80 CRI 90: 90 CRI	Blank: Universal (120-277 VAC) H: High (347-480 VAC)	Blank: 0-10V DTO: Dim to OFF	W: White SS: Stainless Steel	MB: SS Brackets MBB: SS Brackets with Bail M45: 45° Brackets SPM: Single Pendant ¾" DPM: Dual Pendant ½"	2T50: 2 Top ½" E50: 1 End ½" 2E50: 2 Ends ½" C75: Center ¾"	E10: 10 W Emergency	C10: 10 ft Cord C10P: 10 ft Cord with Plug	OS: PIR Occupancy Sensor		

*Note: SLP offers extended lumen packages, ask our customer service for more info

Benefits and Features

- Non-combustible UL 5VA fiberglass housing won't melt or burn
- UV-stabilized f1 rating for continuous outdoor exposure.
- UL 746 certified for water exposure and immersion
- Pour-in-place polyurethane gasket watertight seal.
- Fungus-resistant gasket prevents biological growth
- Captive latches won't fall off during maintenance.
- Tool-free latch operation reduces service time.
- Available in white or 316 stainless steel latches.
- Impact-resistant acrylic or polycarbonate lens options.
- Available in 2 ft, 4ft, or 8 ft
- Made in USA with BAA/BABA compliance.

Electrical

- Universal voltage operation (120-277 VAC) standard.
- High voltage option available (347-480 VAC).
- Standard 0-10V dimming for lighting control integration.
- Dim-to-off capability for maximum energy savings.
- Multi-CCT switchable options (3000K/4000K/5000K).

Applications

- Parking garages and covered parking structures
- Food processing facilities requiring washdown capabilities
- Cold storage warehouses and walk-in freezers
- Manufacturing facilities with dust and moisture
- Garden centers and outdoor retail spaces
- Loading docks and shipping/receiving areas
- Arena and gymnasiums wet areas
- Car wash facilities

Certifications

- UL 1598 listed for wet location applications.
- NSF International certified for food service environments.
- IP65, IP66, and IP67 ingress protection ratings.
- NEMA 4X rated for corrosive and outdoor conditions.
- RoHS compliant for environmental safety.
- DLC QPL qualified for energy rebate programs.

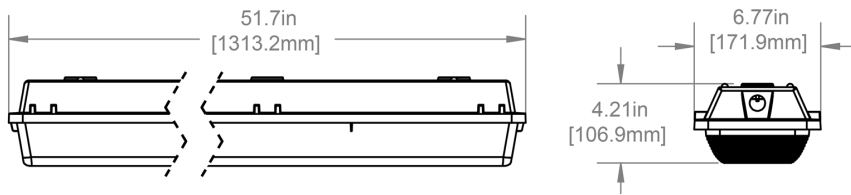


Type _____
 Project _____
 Date _____

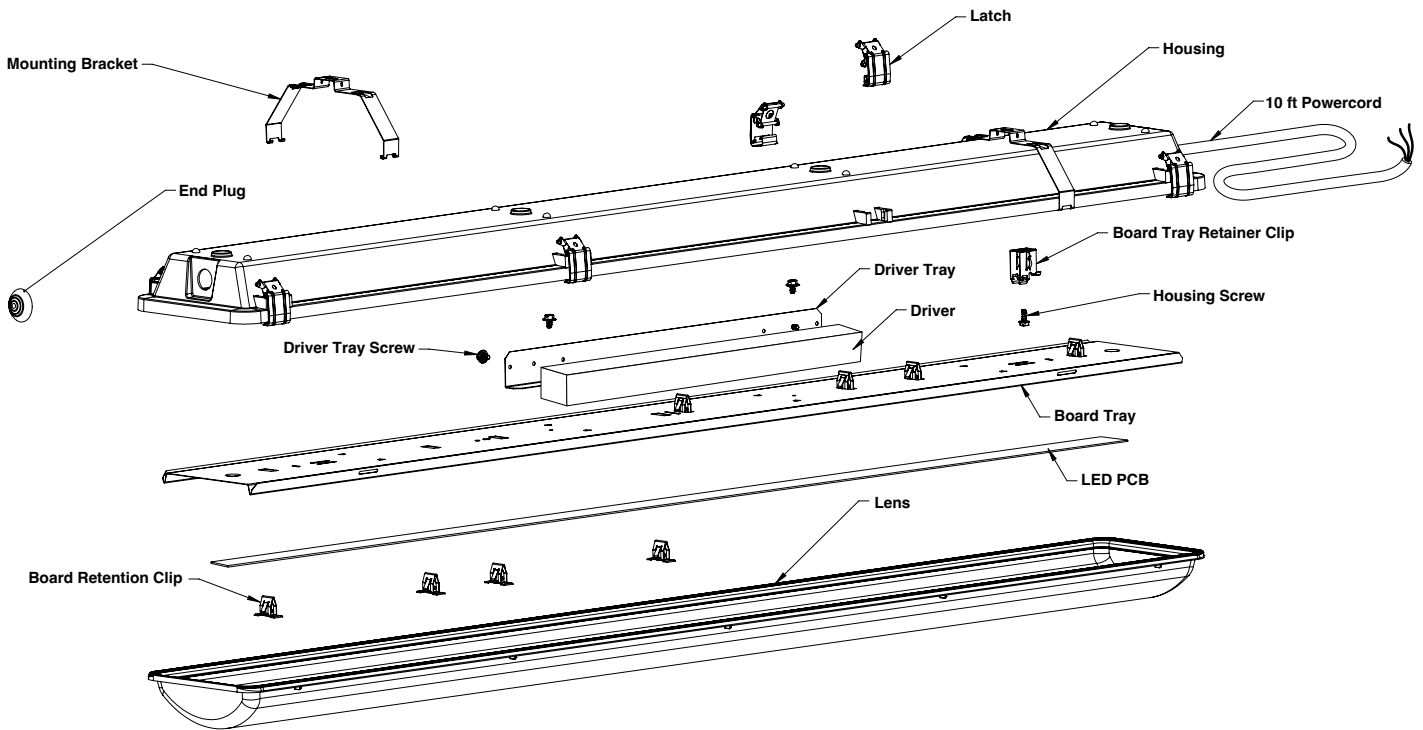
Installation

- Multiple mounting options: surface brackets, pendant, or 45°.
- Stainless steel mounting hardware included with fixture.
- Tool-free lens and tray access for quick maintenance.
- Hub configurations available in 1/2" or 3/4" NPT.
- Continuous row mounting capability for seamless light runs.

Dimensional Diagram



Component Assembly View (4 Ft. Fixture Example)





Specification Sheet
Citadel™ 2

Type _____
Project _____
Date _____

General Specifications

Physical	Value
Dimensions (L x W x H)	51.7" x 6.77" x 4.21"
Weight / Housing Material	X lbs* / UL 5VA Fiberglass
Lens Material	Acrylic or Polycarbonate
Lens Options	Clear, FR50 Frosted
Lens Profiles	Lineal Ribbed, Smooth
Electrical	Value
Input	120-277 VAC (Universal)
High Voltage Option	347-480 VAC
Frequency	50/60 Hz
Power Factor	>0.90
Dimming / Option	0-10V Standard / Dim-to-off
Performance	Value
Lumen Packages	4,000 - 12,000 lumens
Wattage Range	28W - 85W
Efficacy	Up to 140 lm/W
CCT Options	3000K, 3500K, 4000K, 5000K, Selectable 35K-40K-50K
CRI	80 (Standard), 90 (Optional)
Operating Temp	-40°F to 131°F (-40°C to 55°C)
Environmental	Value
IP Rating	IP65, IP66, IP67
NEMA Rating	4X
NSF	Certified (Near Food Safe)
UL Listing	Wet Location, UL 1598
Warranty	5 Year**
Mounting	Value
Mounting Option	Surface, Pendant, 45° Angle
Hub Sizes	½" NPT, ¾" NPT
Continuous Row	Yes

*Note: Weight varies from lumen packages, mounting and options

**Note: 5-Year Warranty based on our Limited Warranty Document



1400 S Old Highway 141
Fenton, MO 63026
www.slplighting.com
636.660.4084

Contact customer support for all product options.
Note: Product specifications and details subject to change without notification.



Made in USA · BAA & BABA Compliant · Version 2.9 07/01/26