

AGRICULTURAL MACHINERY

moreni

VITIS



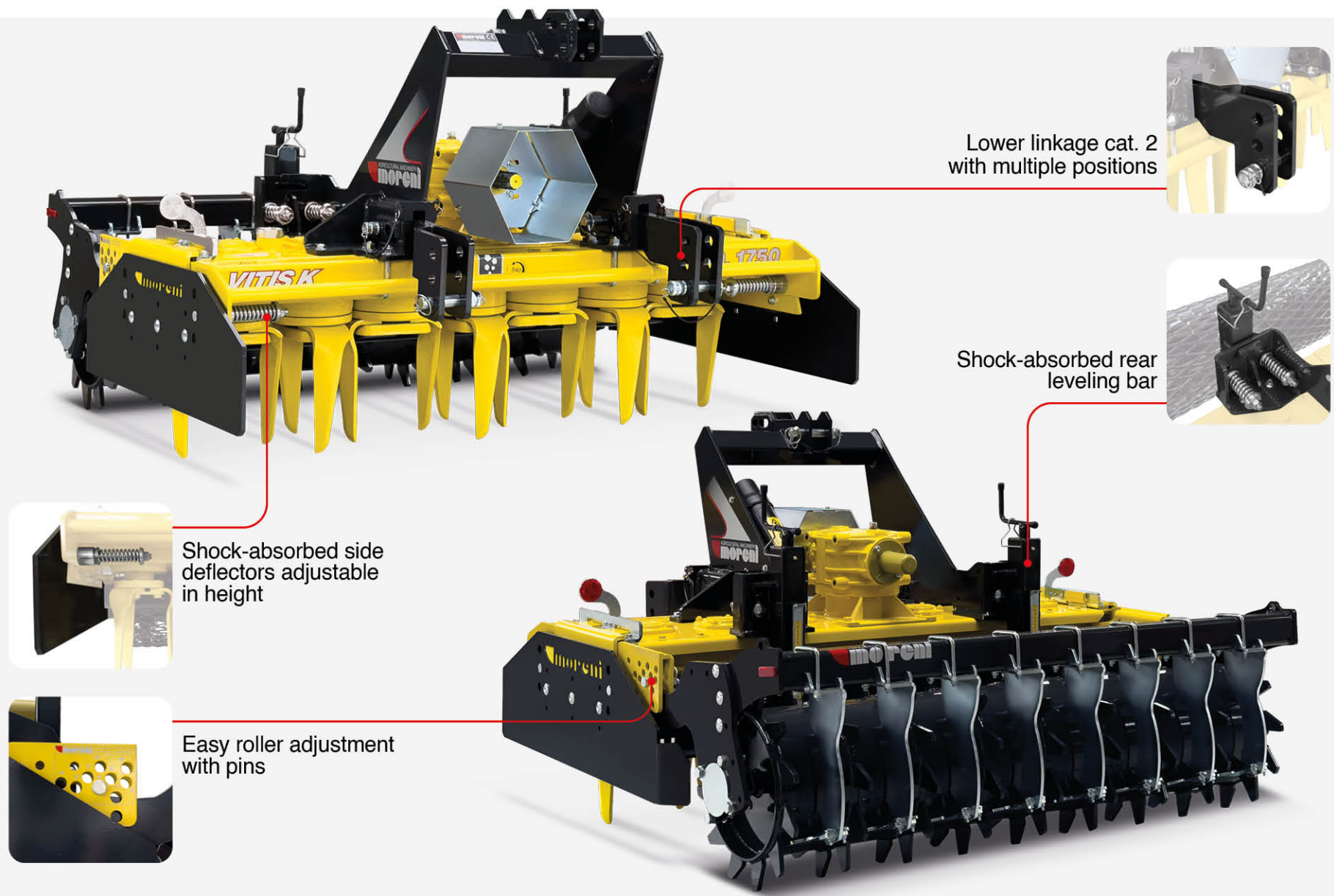
VITIS

30
140

1.000
2.500

550
1.150

RIGID



Lower linkage cat. 2 with multiple positions



Shock-absorbed rear leveling bar



Shock-absorbed side deflectors adjustable in height



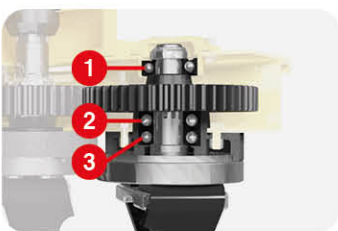
Easy roller adjustment with pins



STANDARD EQUIPMENT



GEAR SYSTEM
Elongated crown in the gearbox



DUAL SYSTEM
3 bearings each rotor



NEAR SYSTEM
Close-to-rotors leveling bar with springs



Walterscheid W2500 PTO shaft with 4-discs clutch



Reinforced frame with 6+6mm double-bottom



Single speed gearbox 540 r.p.m with rear PTO



External oil level for easy inspection



Heavy duty PTO 1 3/4" Z=6

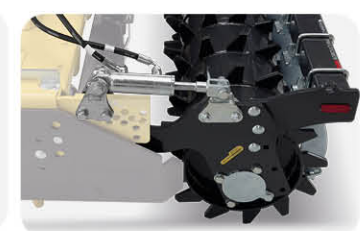


Cat. 2 hitch pin kit

OPTIONAL EQUIPMENT



Walterscheid W2500 automatic PTO shaft



Hydraulic roller adjustment



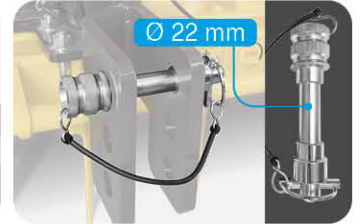
Wheel track eradicators



Wheel track eradicators with shear bolt



Road sign kit



Cat. 1 hitch pin kit



Range of rotor options



Range of compatible seed-drill options



Customized front linkages



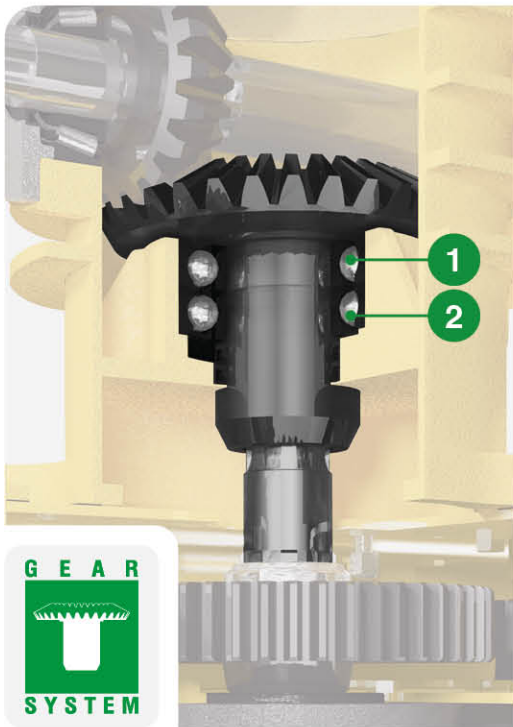
Range of roller options



Range of blade options



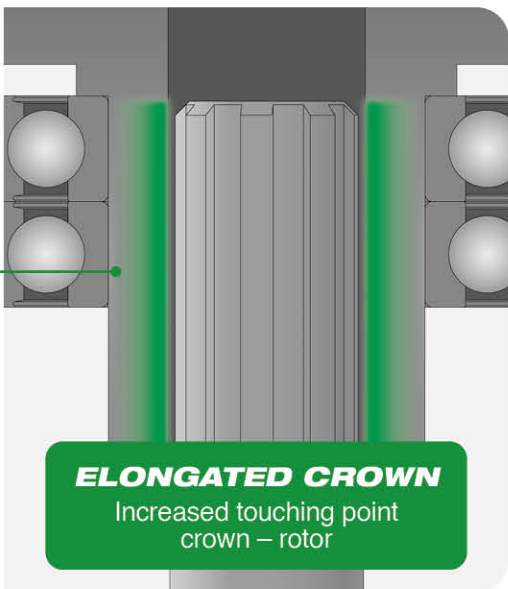
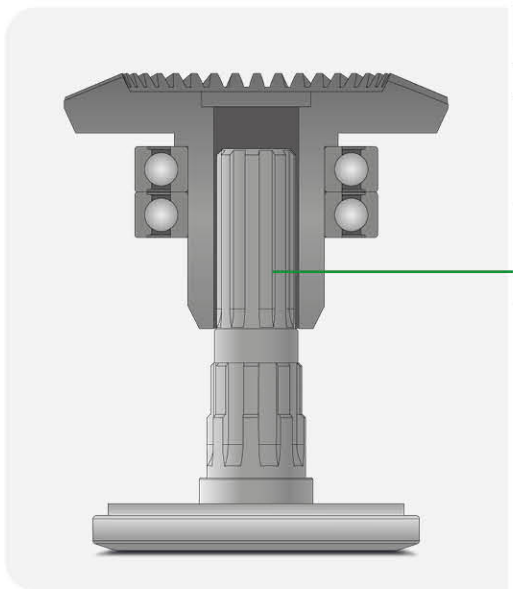
GEAR SYSTEM



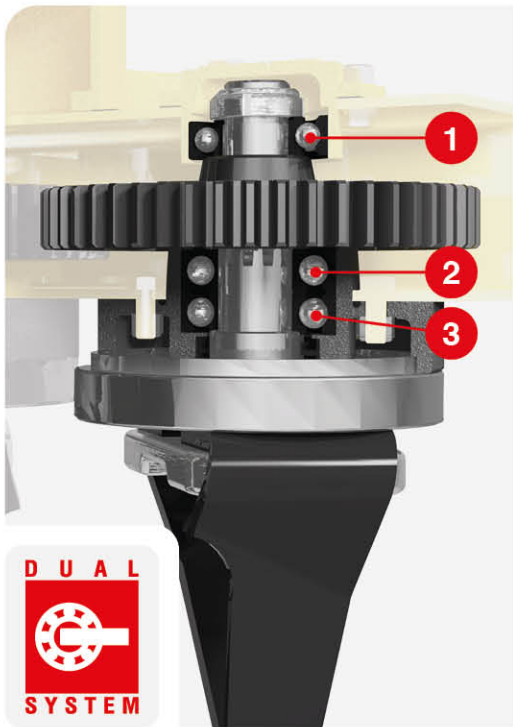
BEST RESISTANCE

The Gear System features a specially design of our crown. The lower bushing is elongated and engages the central rotor over a large surface area:

- Central rotor length has been reduced, increasing its resistance.
- Perfect distribution of the stress between the parts.
- High material density in the point of the most stress.
- 2 Bearings under the crown for the maximum stability.



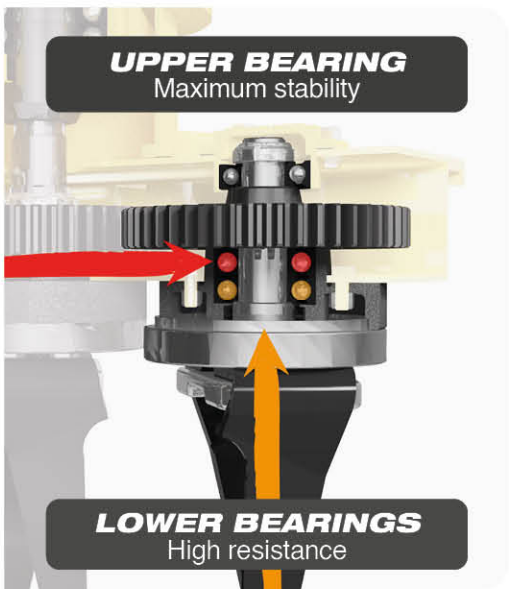
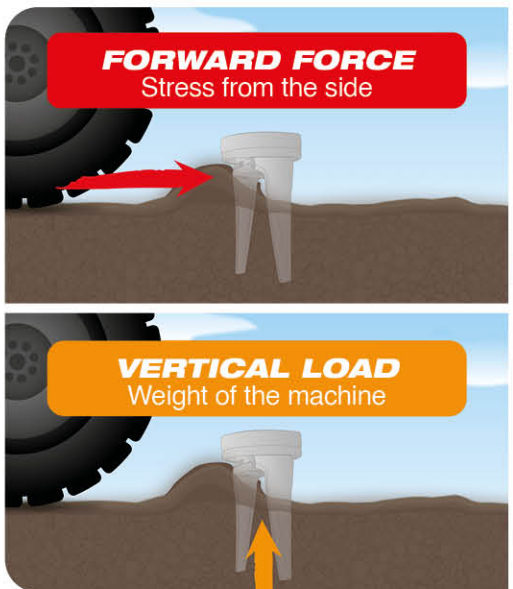
DUAL SYSTEM



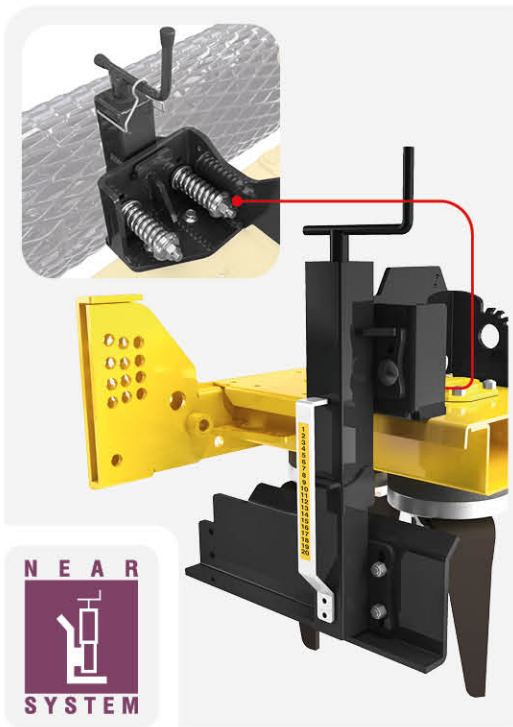
MAXIMUM STABILITY

Special triple-bearing applications on each rotor: one upper and two lower bearings.

- The upper bearing guarantees maximum stability and the access rotor per rotor.
- The two lower bearings are designed to handle both the forward force from the tractor and the vertical load from the machine.



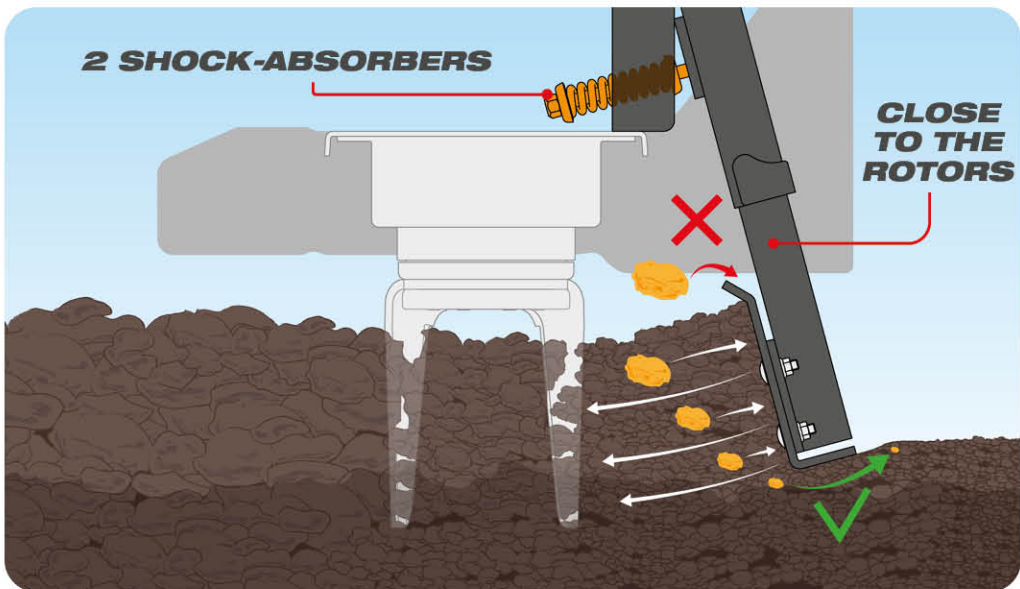
NEAR SYSTEM



TOP REFINEMENT

The position of the rear leveling bar is designed to be as close as possible to the rotors, preventing the largest clods from jumping out.

Each side of the leveling bar has 2 shock absorbers which protect it from hitting stone. The shock absorbers open when the power harrow is working too much soil, guaranteeing a lighter working process.





ROTOR CONFIGURATIONS

VITIS



STANDARD ROTOR

The standard rotor ensures excellent performance, combining effective soil refinement with low maintenance requirements. Ideal for those who need a field-proven rotor without the need for specific adaptations.



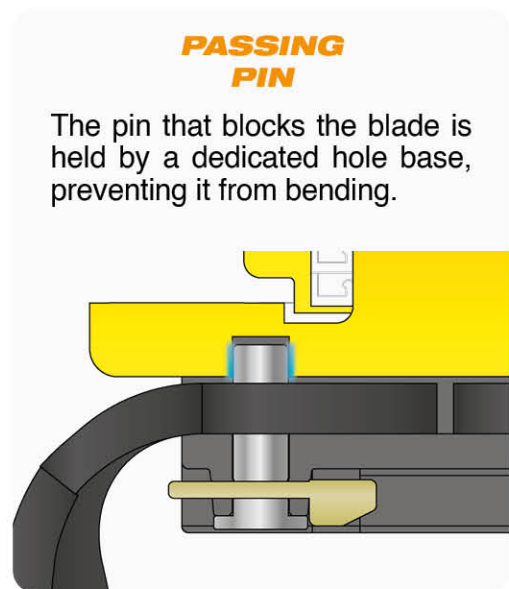
VITIS Q



QUICK SYSTEM

Standard rotor equipped with quick release of the blades. The Quick System is ideal for those who need fast maintenance directly in the field. It features top-quality components:

- Hardox blade holder flange
- Spring-loaded locking pin
- Hardened wear-resistant plug
- Moreni heavy-duty rapid blade



PASSING PIN

The pin that blocks the blade is held by a dedicated hole base, preventing it from bending.

VITIS 3D



3 BLADES SYSTEM

Standard rotor equipped with 3 blades instead of 2. The 3 Blades System is designed for those who need soil refinement beyond standard levels. It is especially used by vegetable growers in greenhouses or open field applications.

The 3 Blades System can also be used to speed up field operations, ensuring good soil refinement even at high working speeds.



+ SOIL REFINEMENT

+ SPEED OF WORK



ROTORS FOR STONY SOIL

VITIS K



STONE SYSTEM

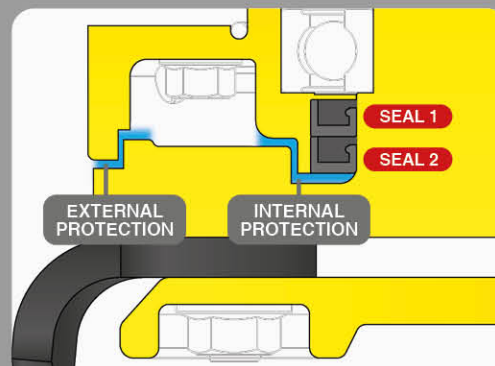
The Stone System is designed to work across all soil types, with specific advantages in:

- Stony soils: the space between the rotors is closed by a protective shield that prevents stones from getting stuck, avoiding blockages and damage.
- Crop residues: the coupling between the shield and the rotor creates a double protection that prevents residues from wrapping around moving parts and protecting seals and bearings.



STONE SHIELD

The shield is bolted to the frame of the machine and is a non-rotating part. This avoids wear and simplifies maintenance.



DOUBLE PROTECTION

The connection between the shield and the rotor creates a double protection, internal and external.

VITIS K Q



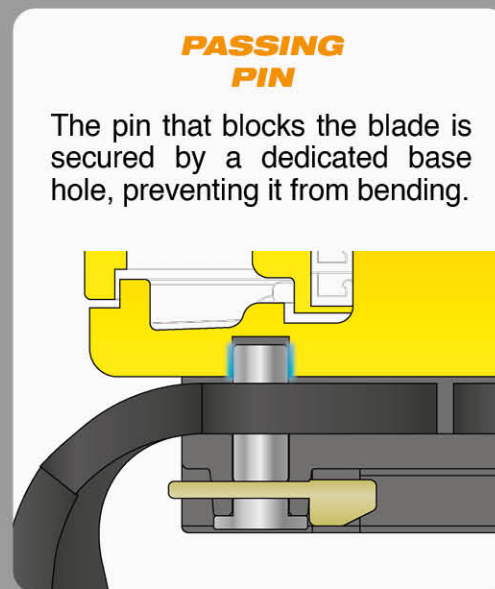
STONE + QUICK SYSTEM

Stone protected rotors equipped with quick release of the blades. The Quick System is ideal for those who need fast maintenance on the field. It features top-quality components:

- Hardox blade holder flange
- Spring-loaded locking pin
- Hardened wear-resistant plug
- Moreni heavy-duty rapid blade



HEAVY DUTY RAPID BLADE



PASSING PIN

The pin that blocks the blade is secured by a dedicated base hole, preventing it from bending.

VITIS K 3D



STONE + 3 BLADES SYSTEM

Stone protected rotors equipped with 3 blades instead of 2. The 3 Blades System is designed for those who need soil refinement beyond standard levels. It is especially used by vegetable growers in greenhouses or open field applications.

The 3 Blades System can also be used to speed up field operations, ensuring good soil refinement even at high working speeds.



+ ROTOR PROTECTION

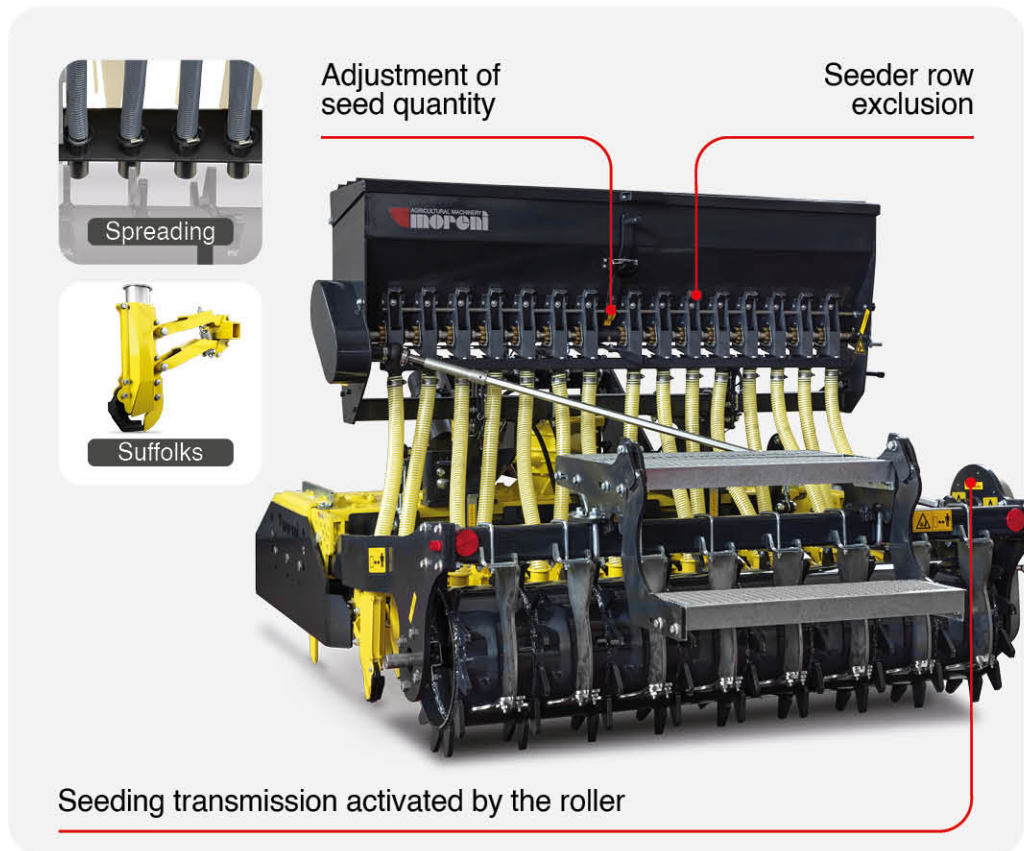
+ SOIL REFINEMENT

+ SPEED OF WORK



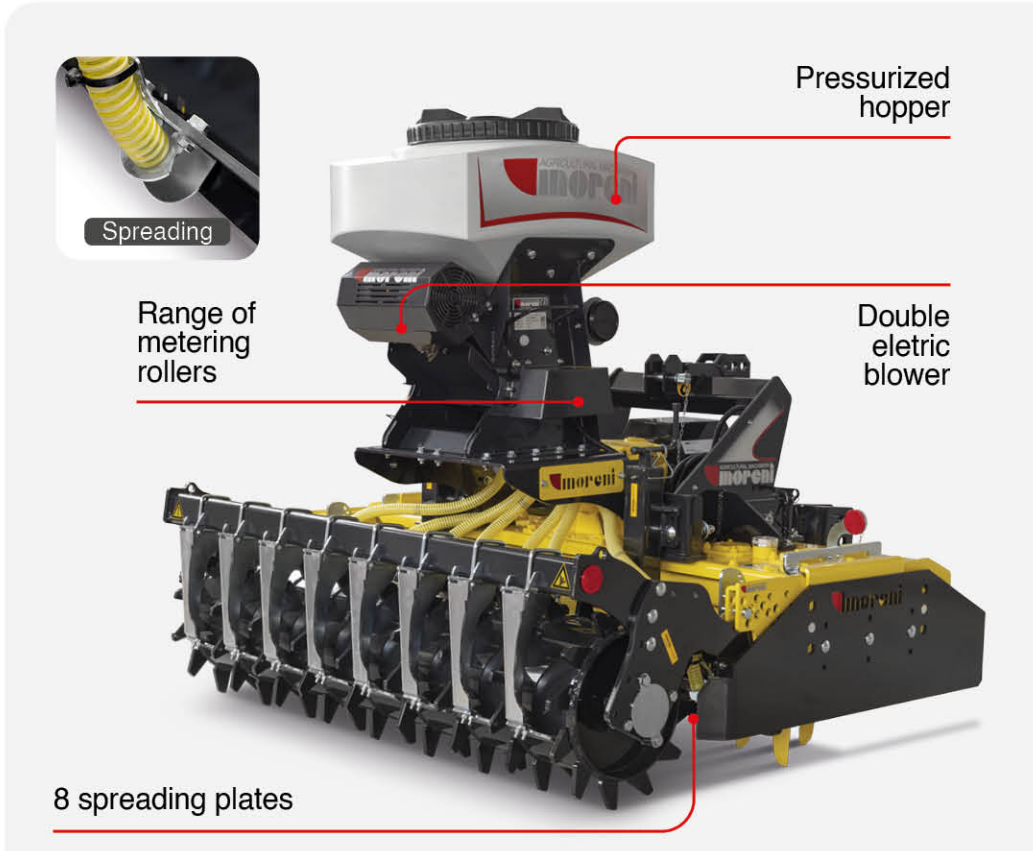
SEEDING APPLICATIONS

KIT SOFT



SOFT			KG	LT	KG
1000-SC	935	9	125	85	68
1250-SC	1.255	11	130	100	80
1500-SC	1.425	13	135	135	108
1750-SC	1.695	15	140	160	128
2000-SC	1.915	17	145	185	148
2250-SC	2.135	17	160	260	208
2250	2.355	17	160	260	208
2500	2.575	19	180	330	236

KIT SHARP SPREADING



SHARP	120	200
	1.000 / 2.500	1.000 / 2.500
	8	8
KG	45	60
LT	120	200
KG	96	160



COVER CROP MANAGEMENT
The double blower continuously injects air into the tank while mixing the seed mixture. The rubber metering roller adapts to different seed sizes, ensuring consistent and uniform seed distribution.



SPECIAL APPLICATIONS

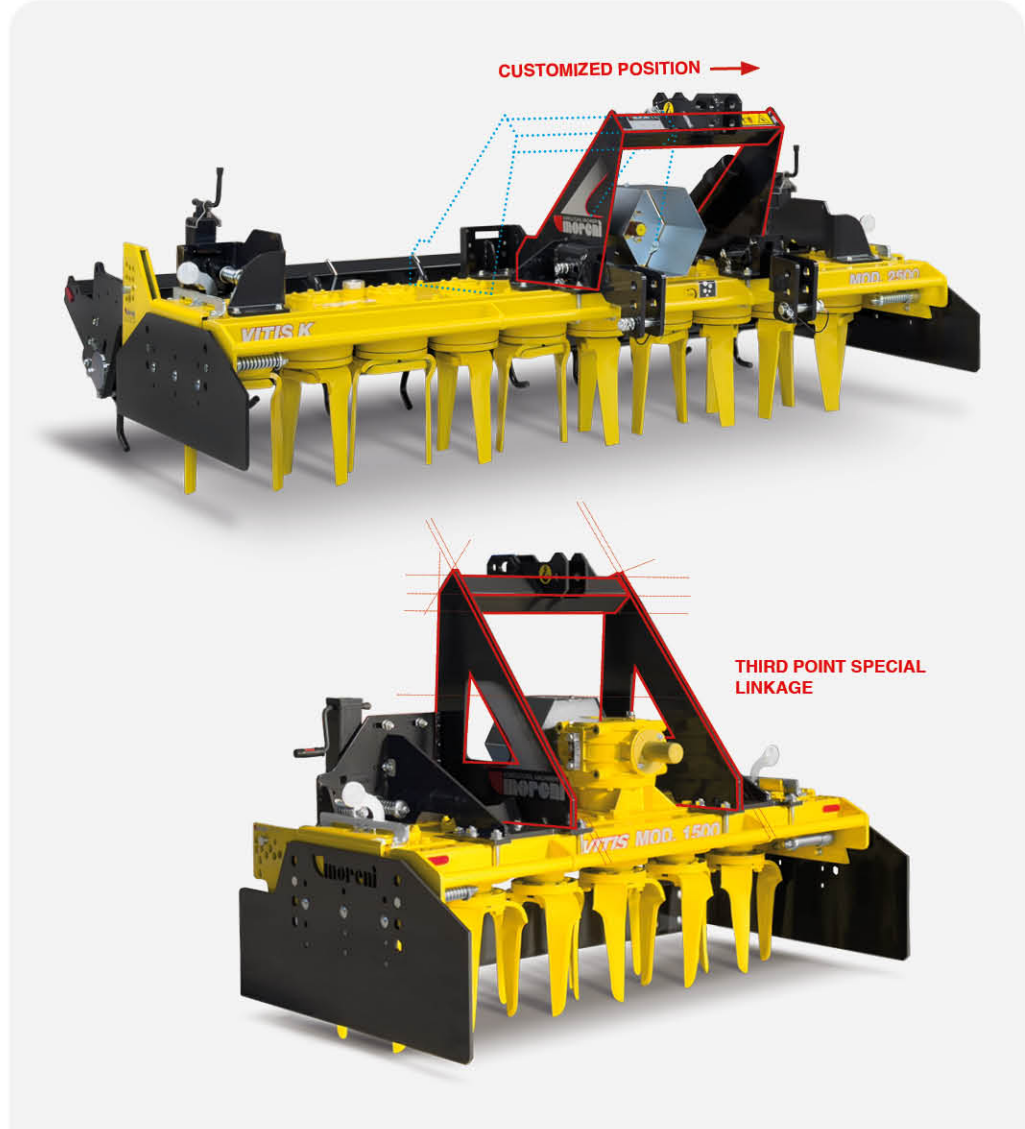
FRONT LINKAGE



CUSTOM FRONT LINKAGE SOLUTIONS

Customizable front hitch designed for use on the front of the tractor. A solution suitable for combined operations, aimed at optimizing time and reducing field passes.

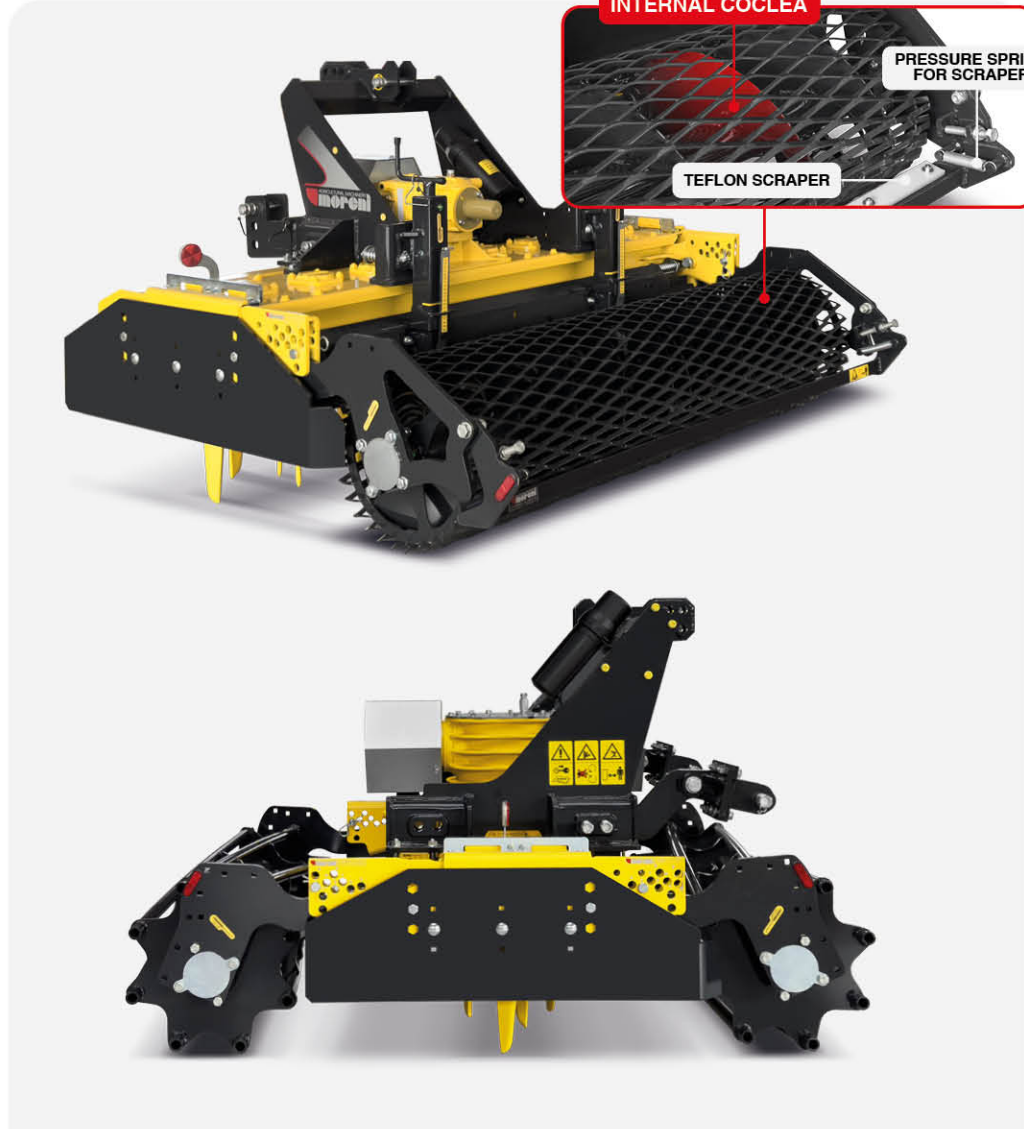
SPECIAL MEASUREMENTS



CUSTOMIZED ON YOUR NEEDS

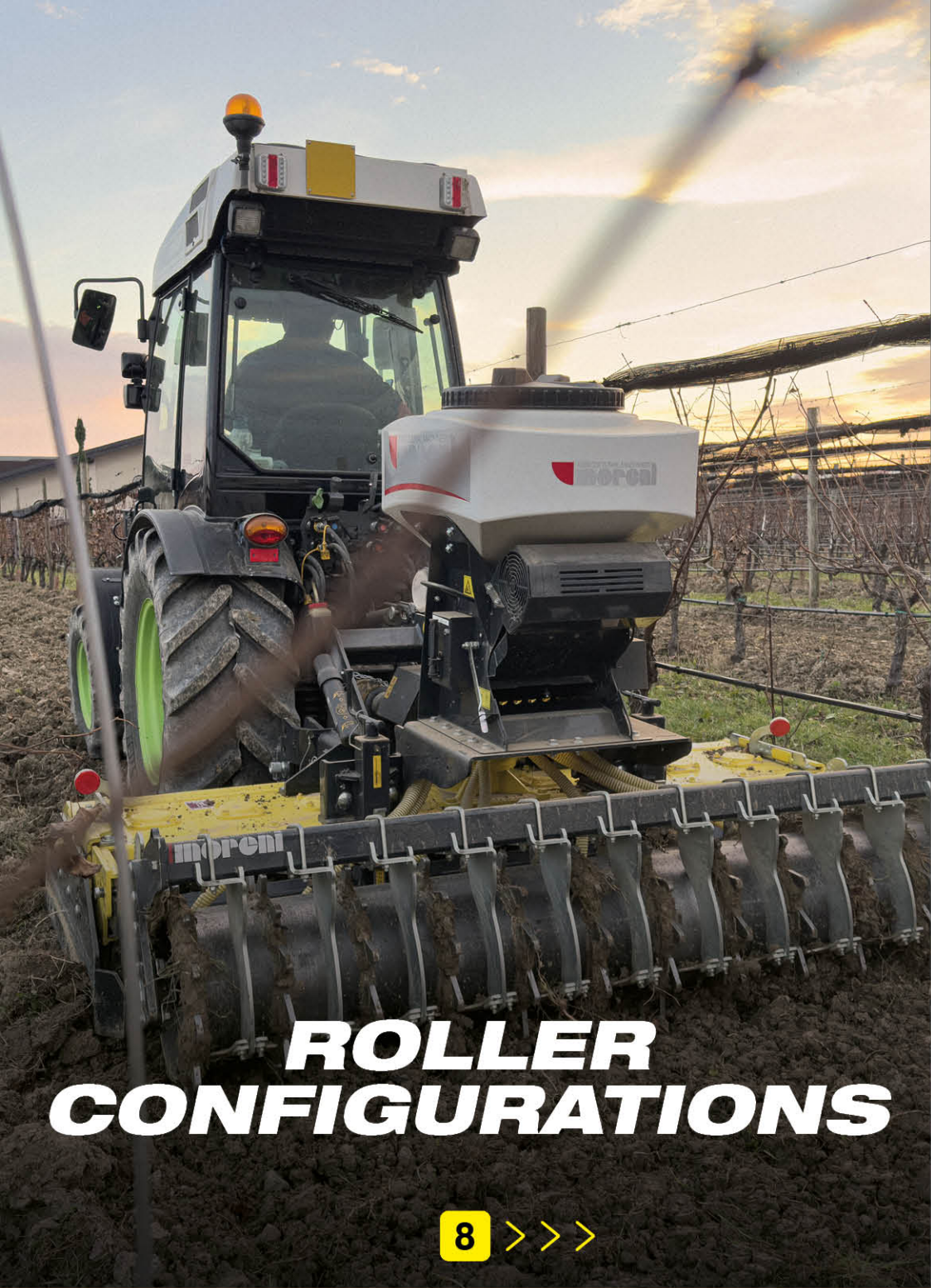
Custom dimensions and components available to meet any specific working requirement.

SPECIAL ROLLERS



ROLLER SOLUTIONS

Various configurations and special solutions available to ensure maximum effectiveness in all conditions and to meet specific requirements.



CAGE ROLLER

STANDARD	OVERSIZED
TUBES Ø 34	TUBES Ø 42

SPIRAL ROLLER

SHORT	LARGE
Ø EXT 450 Ø TUBE 48	Ø EXT 450 Ø TUBE 48

TRAPEZIAL ROLLER

	SPIKES
TUBES Ø 406	HEIGHT 45 mm

PACKER ROLLER

STANDARD	OVERSIZED	SPIKES
TUBE Ø 324	TUBE Ø 406	THICKNESS 12 mm

SMOOTH ROLLER

	SPIKES
TUBE Ø 406	THICKNESS 12 mm

NET ROLLER

INTERNAL COCLEA

SPIKES ROLLER

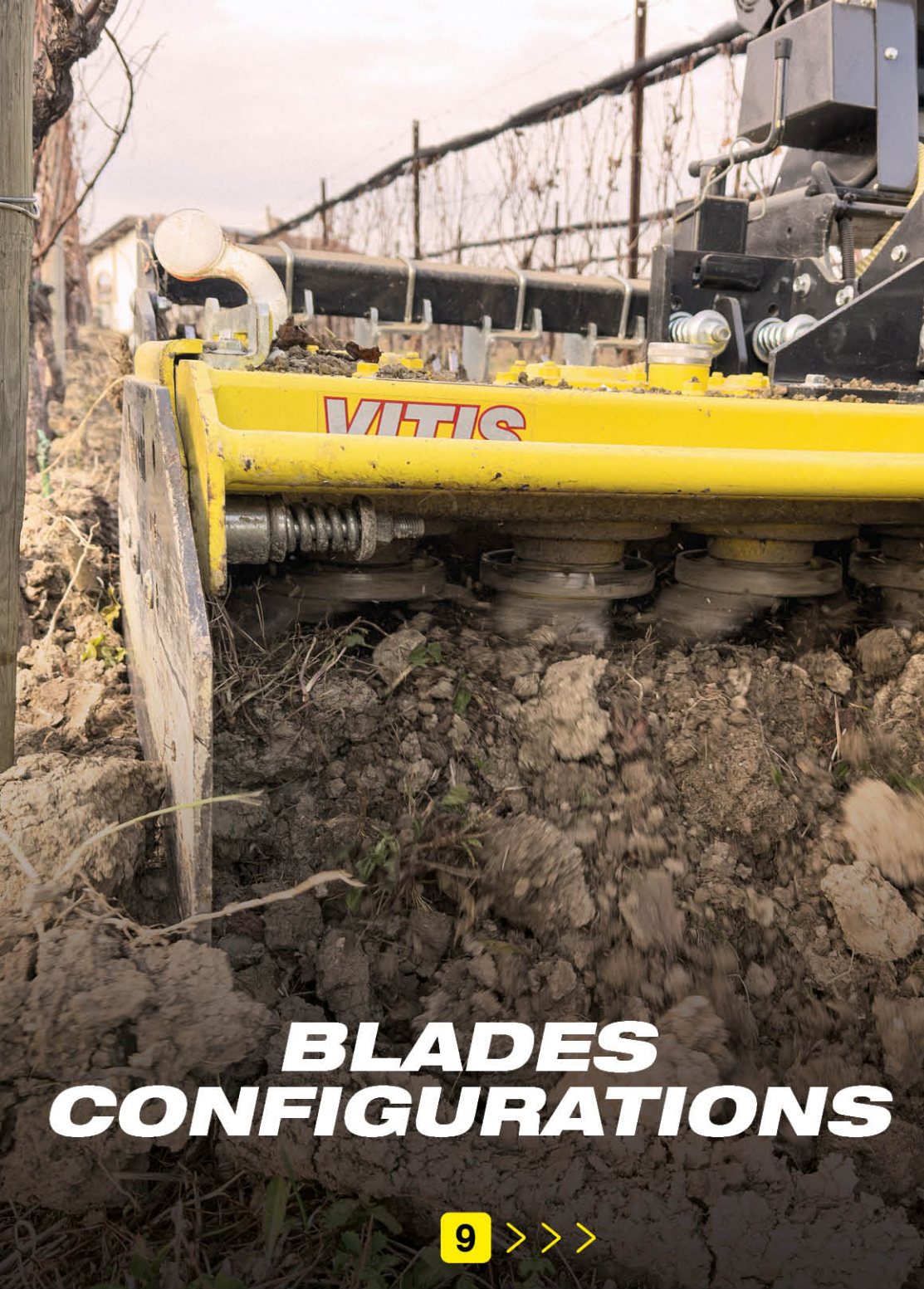
	SPIKES
TUBE Ø 219	HEIGHT 153 mm

CRUSHER ROLLER

	SPIKES
TUBE Ø 273	THICKNESS 12 mm

RICE ROLLER

	SPIKES
TUBE Ø 324	THICKNESS 12 mm



BLADES CONFIGURATIONS

THICKNESS 12 mm
WEIGHT 2,100 KG

CLASSIC BLADE

The Classic Moreni blade guarantees the best balance between the low cost and the resistance.

STANDARD

THICKNESS 15 mm
WEIGHT 3,369 KG

HEAVY DUTY BLADE

Heavy Duty Blade with 15 mm thickness. The high thickness and the blade design with a flat base makes the wear start later than standard. The result is a long life blade ready for any kind of soil structure.

THICKNESS 15 mm
WEIGHT 3,483 KG

SAMURAI HEAVY DUTY BLADE

Our special Samurai Blades in Heavy Duty version. The Samurai Blades are equipped with 3 lateral fins. The crossing between the various blades guarantees the perfect smashing of the cover crops.

THICKNESS 12 mm
WEIGHT 2,180 KG

TUNGSTEN BLADE

The tungsten surface guarantee a life of the blade 3 times longer than a standard reducing a lot the labor costs.

THICKNESS 15 mm
WEIGHT 3,369 KG

HEAVY DUTY RAPID BLADE

Heavy Duty Blade with 15 mm thickness ready for our Quick System. The high thickness and the blade design with a flat base makes the wear start later than standard. The result is a long life blade ready for any kind of soil structure.

THICKNESS 15 mm
WEIGHT 3,483 KG

SAMURAI HEAVY DUTY RAPID BLADE

Our special Samurai Blades in Heavy Duty version and ready for the Quick System. The Samurai Blades are equipped with 3 lateral fins. The crossing between the various blades guarantees the perfect smashing of the cover crops.

THICKNESS 12 mm
WEIGHT 2,250 KG

LONG BLADE

Blade designed to be 3 cm longer than our Classic to ensure a longer life for a slight price difference.

THICKNESS 12 mm
WEIGHT 2,161 KG















SAMURAI BLADE

Our special Samurai Blades in the simplest version. The samurai blades are equipped with 2 lateral fins. The crossing between the various blades guarantees the perfect smashing of the cover crops.









SAMURAI BLADE

The Samurai Blade System changes the usual work concept. Surface Work from 0,5 to 7 cm, high Speed from 8 – 12 Km/h.

VITIS

MODEL			N° 		CAT.										
1000-SC	935	540 / 281	3	30	2	1 3/8" Z=6	1 3/4" Z=6	30 - 140	628	558	588	597	617	564	514
1250-SC	1.255	540 / 281	5	30	2	1 3/8" Z=6	1 3/4" Z=6	35 - 140	703	618	653	662	688	639	564
1500-SC	1.425	540 / 281	6	30	2	1 3/8" Z=6	1 3/4" Z=6	40 - 140	778	678	718	727	759	714	614
1750-SC	1.695	540 / 281	7	30	2	1 3/8" Z=6	1 3/4" Z=6	45 - 140	846	733	777	787	824	784	659
2000-SC	1.915	540 / 281	8	30	2	1 3/8" Z=6	1 3/4" Z=6	50 - 140	913	788	835	847	888	856	706
2250-SC	2.135	540 / 281	9	30	2	1 3/8" Z=6	1 3/4" Z=6	55 - 140	961	823	874	887	933	908	733
2250	2.355	540 / 281	9	30	2	1 3/8" Z=6	1 3/4" Z=6	55 - 140	981	843	894	907	953	920	745
2500	2.575	540 / 281	10	30	2	1 3/8" Z=6	1 3/4" Z=6	60 - 140	1.049	903	953	967	1.018	997	797

VITIS K

MODEL			N° 		CAT.										
1000-SC	935	540 / 281	3	30	2	1 3/8" Z=6	1 3/4" Z=6	30 - 140	657	592	616	631	651	598	548
1250-SC	1.255	540 / 281	5	30	2	1 3/8" Z=6	1 3/4" Z=6	35 - 140	741	661	688	705	731	682	607
1500-SC	1.425	540 / 281	6	30	2	1 3/8" Z=6	1 3/4" Z=6	40 - 140	825	730	760	779	811	766	666
1750-SC	1.695	540 / 281	7	30	2	1 3/8" Z=6	1 3/4" Z=6	45 - 140	902	794	828	848	884	845	720
2000-SC	1.915	540 / 281	8	30	2	1 3/8" Z=6	1 3/4" Z=6	50 - 140	977	857	895	917	958	925	775
2250-SC	2.135	540 / 281	9	30	2	1 3/8" Z=6	1 3/4" Z=6	55 - 140	1.032	901	942	966	1.011	986	811
2250	2.355	540 / 281	9	30	2	1 3/8" Z=6	1 3/4" Z=6	55 - 140	1.052	921	962	986	1.031	998	823
2500	2.575	540 / 281	10	30	2	1 3/8" Z=6	1 3/4" Z=6	60 - 140	1.129	985	1.034	1.055	1.110	1.079	879