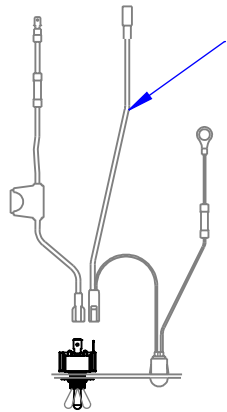


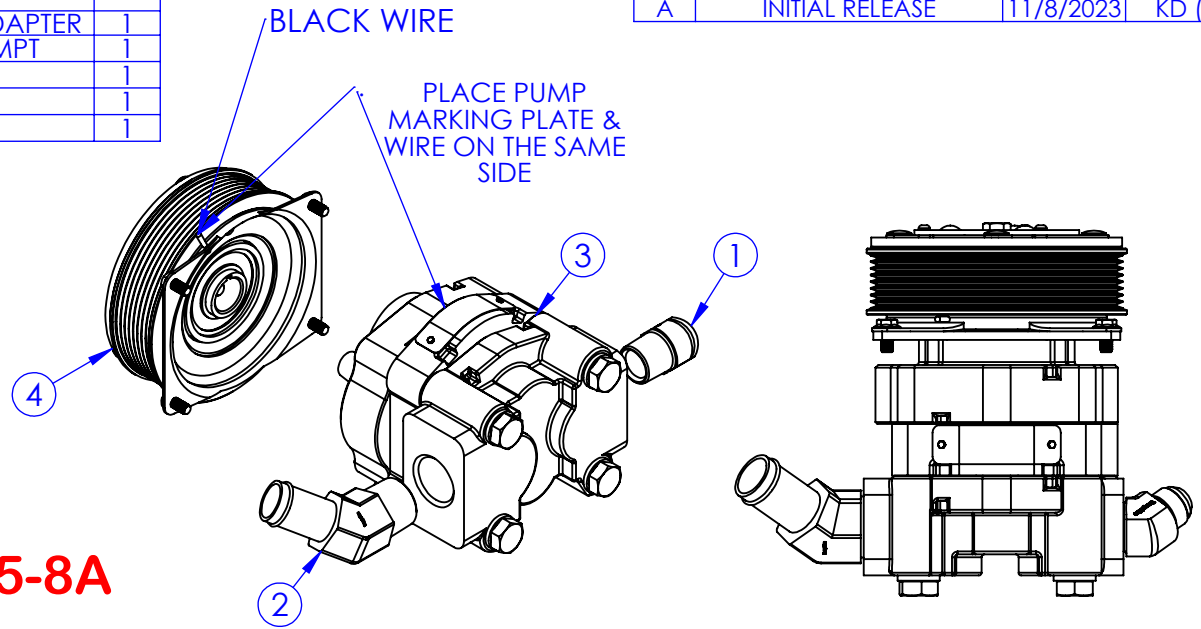
ITEM NO.	PART NUMBER	DESCRIPTION	QTY.
1	AD-6802 10-12	JIC TO PIPE ELBOW 45 DEG. ADAPTER	1
2	AD-4603 16-20	45 DEG ADAPTER BEADED MPT	1
3	PU-P1665C 9D5	SIDE PORT PUMP ONLY	1
4	PU-MAN05	8 GROOVE CLUTCH	1
5	EL-SK-100	PUMP SWITCH KIT	1

REVISIONS			
REV.	DESCRIPTION	DATE	APPROVED
A	INITIAL RELEASE	11/8/2023	KD (BB)

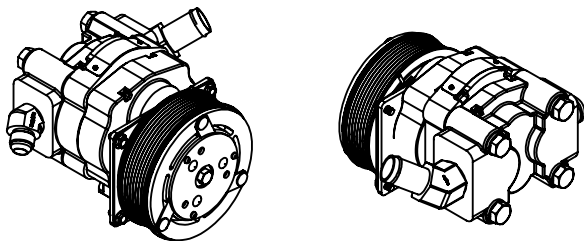
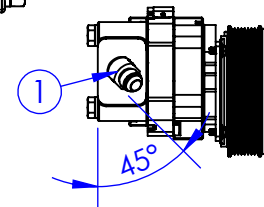
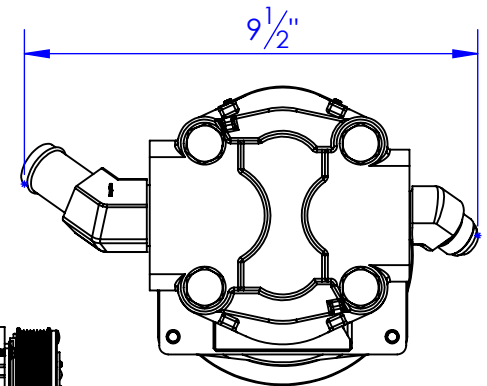
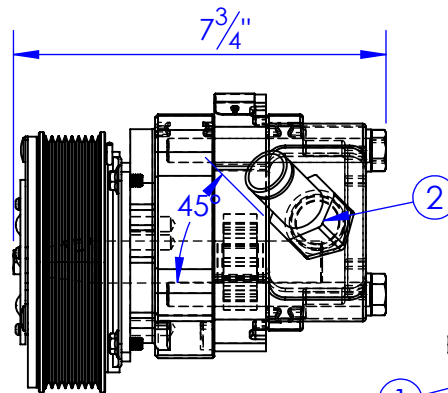
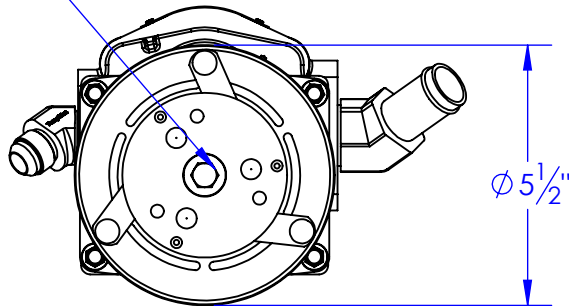


EL-SK-100: QTY 1
"SWITCH KIT, DASH"
SEE DWG 10-0931-14
FOR MORE DETAILS

PU-SP4-11-45-8A



Recommended torque, about 20ftlbs



PROPRIETARY AND CONFIDENTIAL
THE INFORMATION CONTAINED IN THIS DRAWING IS THE SOLE PROPERTY OF TRIPLE C INC. ANY REPRODUCTION IN PART OR AS A WHOLE WITHOUT THE WRITTEN PERMISSION OF TRIPLE C INC. IS PROHIBITED.

DIMENSIONS ARE IN INCHES TOLERANCES: FRACTIONAL ±1/16 ANGULAR: MACH ±1 BEND ± TWO PLACE DECIMAL ±010 THREE PLACE DECIMAL ±005		NAME	DATE
MATERIAL	---	DRAWN	KADEN 11/8/2023
DO NOT SCALE DRAWING		PART #	PU-SP4-11-45-8A
		ASM #	
		COMMENTS: 8 GROOVE SIDE PORT PARKER PUMP 45 DEGREE	

P.O. BOX 248,
SABETHA, KS 66534



SIZE	DWG. NO.	REV.
A	10-0931-25	A
SCALE:1:4	WEIGHT: --	SHEET 1 OF 1