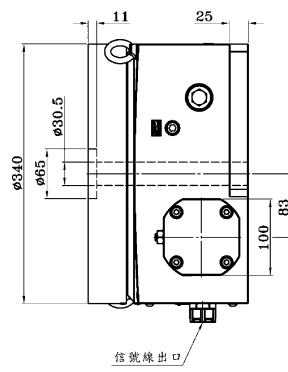
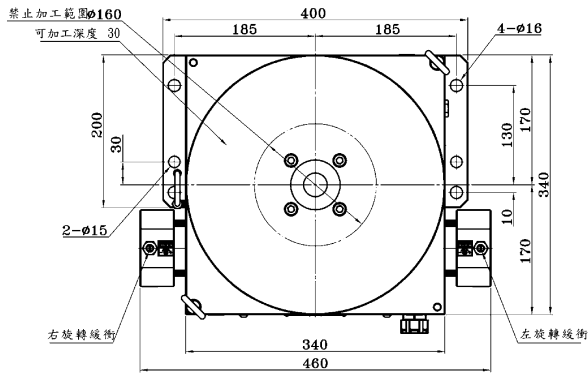
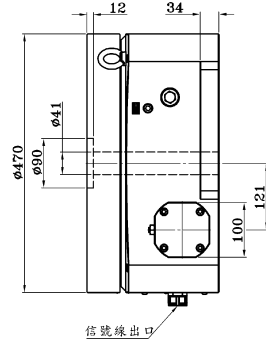
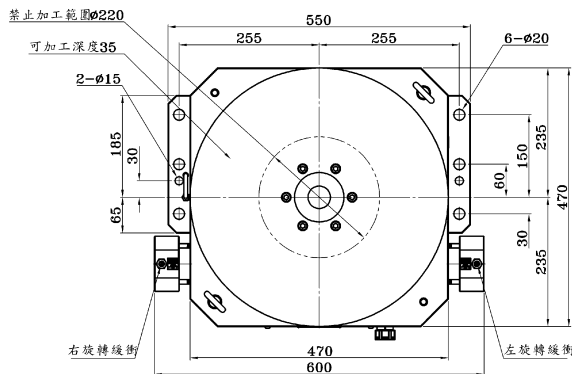
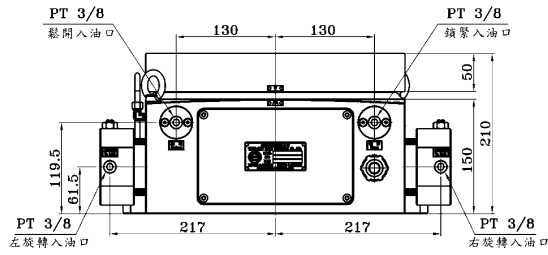


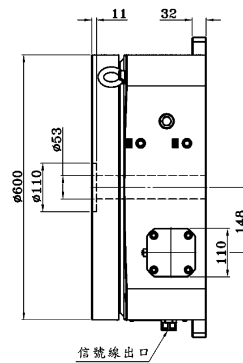
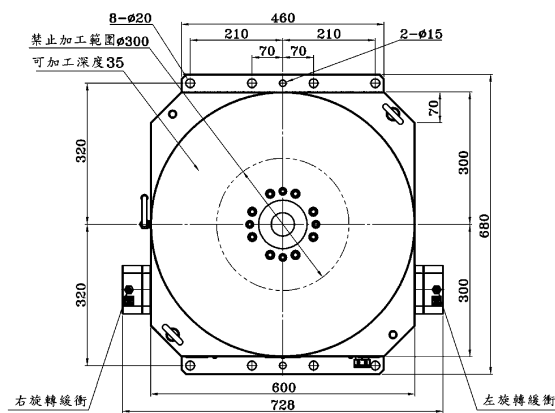
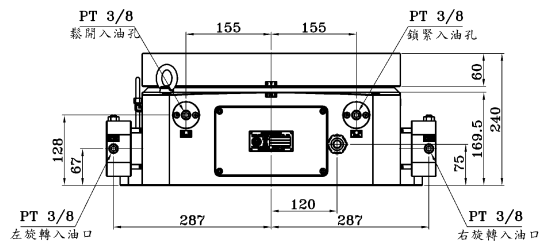
Model		Table Diameter	Indexing Accuracy	Repetitive Accuracy	Index Number	90° ARC sec	Load capacity	Net Weight
Vertical	EXT-340H	Ø340	4"	±1"	4、6、8 12、24	2.5	500	115
	EXT-470H	Ø470	4"	±1"		3.5	700	270
	EXT-600H	Ø600	4"	±1"		6.0	1250	550
Horizontal	EXT-200V	Ø200	4"	±2"	4、6、8 12、24	2.0	95	50
	EXT-250V	Ø250	4"	±2"		2.5	130	85
	EXT-320V	Ø320	4"	±2"		3.0	200	98



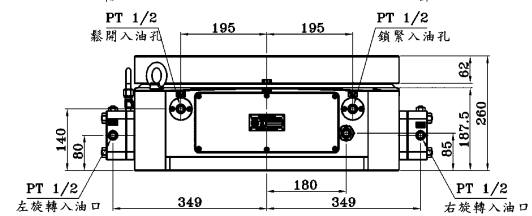
EXT-340H

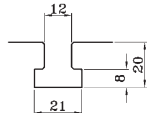
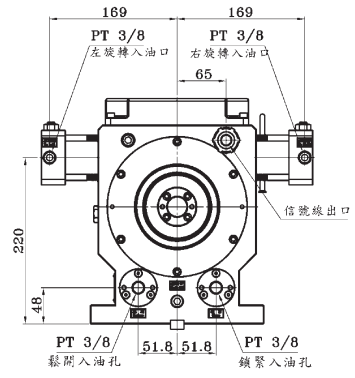
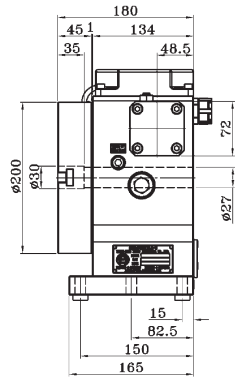
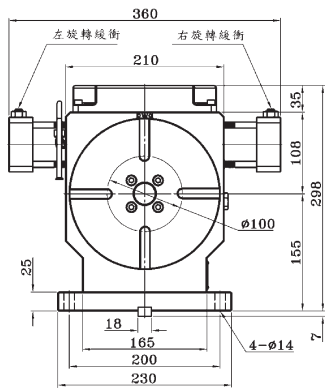


EXT-470H



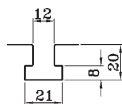
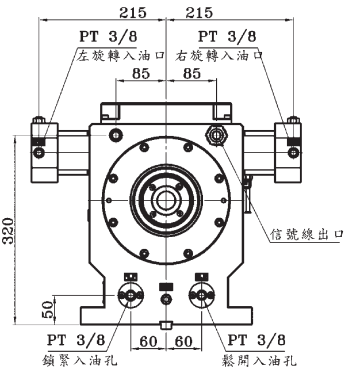
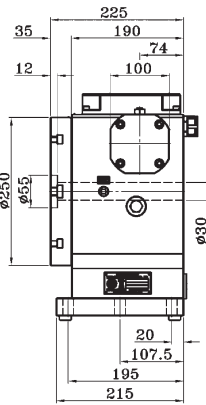
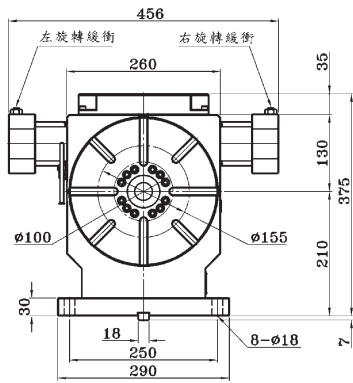
EXT-600H





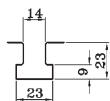
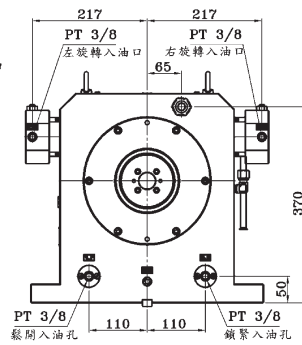
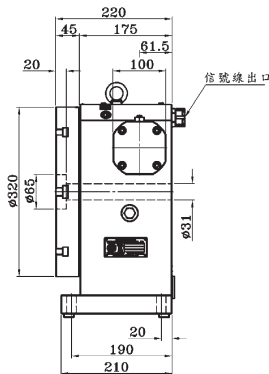
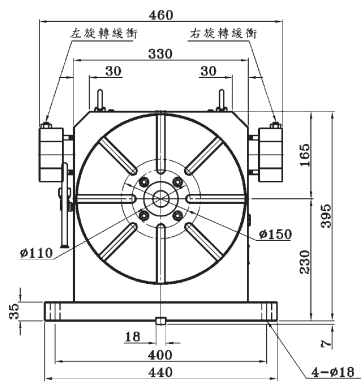
T 型槽尺寸

EXT-200V



T 型槽尺寸

EXT-250V



T 型槽尺寸

EXT-320V