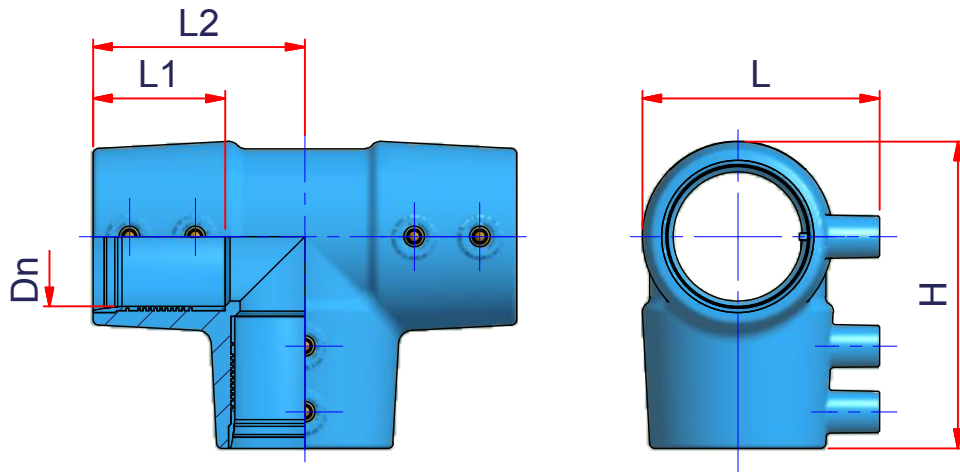
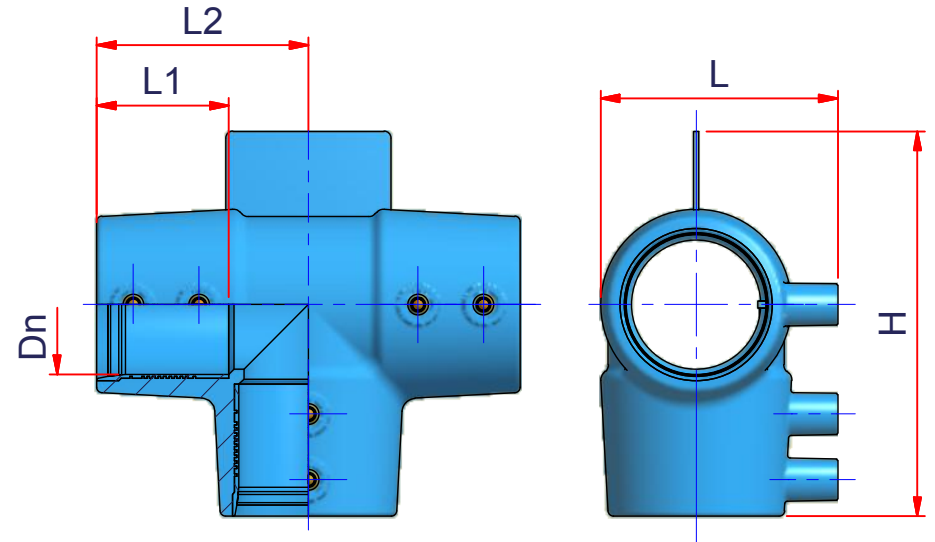


TYPE A

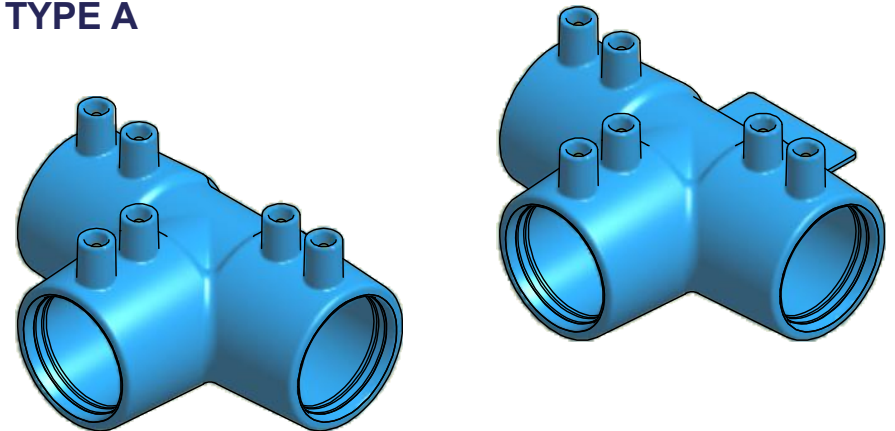


TYPE B



TYPE B

TYPE A



CODE	Dn	L1	L2	L	H
03NTE40 (A)	40	44	70	75	99
03NTE50 (B)	50	48	77	86	140
03NTE63 (A)	63	54	90	103	135
03NTE90 (A)	90	68	120	134	182
03NTE110 (A)	110	83	144	154	214



ITEM: **NTE**

DESC: TEE ELETTROSALDABILE
ELECTROFUSION TEE

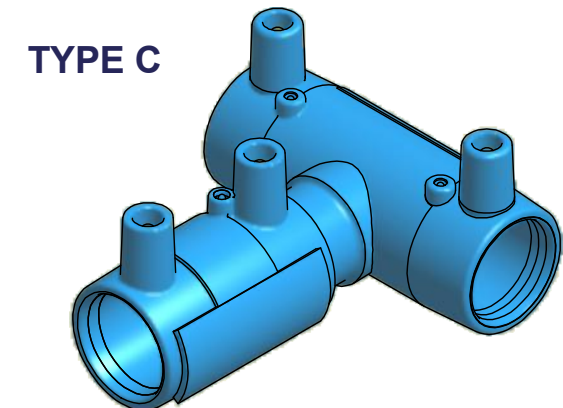
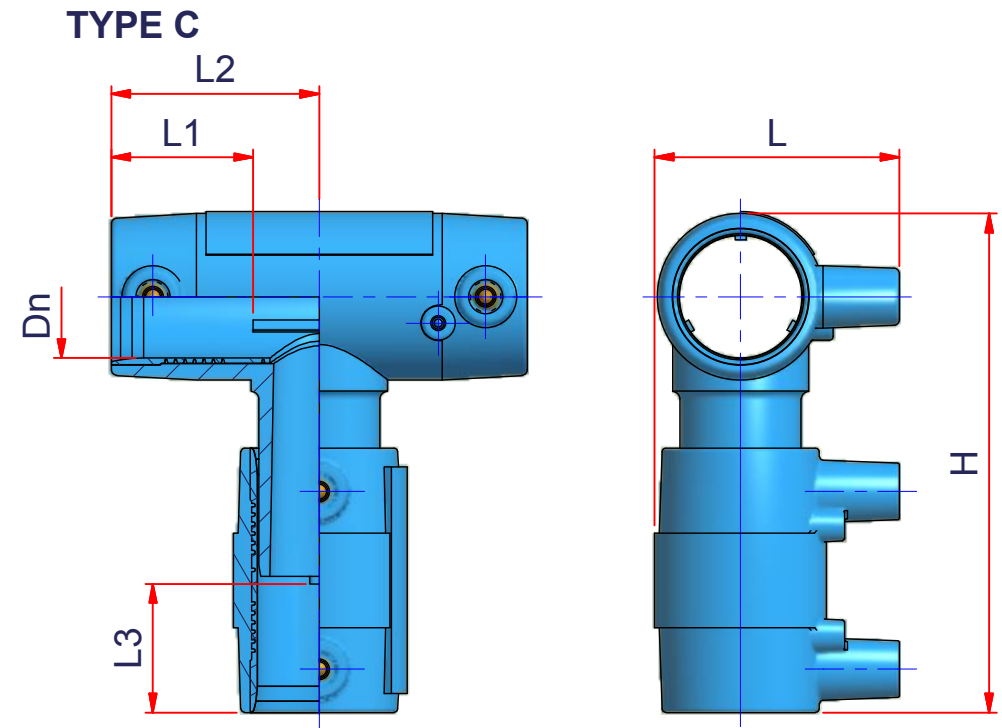


DRAWING No:
NI10004



SHEET OF REV.
1 2 0

www.nupigeco.com - info@nupigeco.com

All dimensions have to be considered in millimeters with 5% tolerance if not otherwise mentioned



CODE	Dn	L1	L2	L3	L	H
03NTE75 (C)	75	60	100	61	114	240

 nupigeco	ITEM: NTE	DESC: TEE ELETTROSALDABILE ELECTROFUSION TEE		DRAWING No: NI10004	
	C:\Vault_Temp\Disegni\Corinna\Tabelle\Niron\Nte\NI10004.dwg			SHEET OF 2 2	REV. 0
www.nupigeco.com - info@nupigeco.com		All dimensions have to be considered in millimeters with 5% tolerance if not otherwise mentioned			