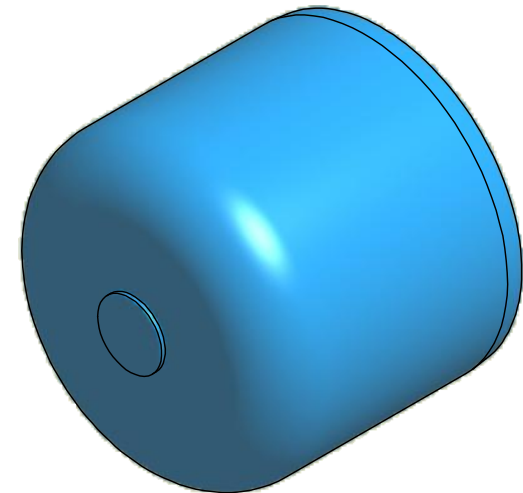
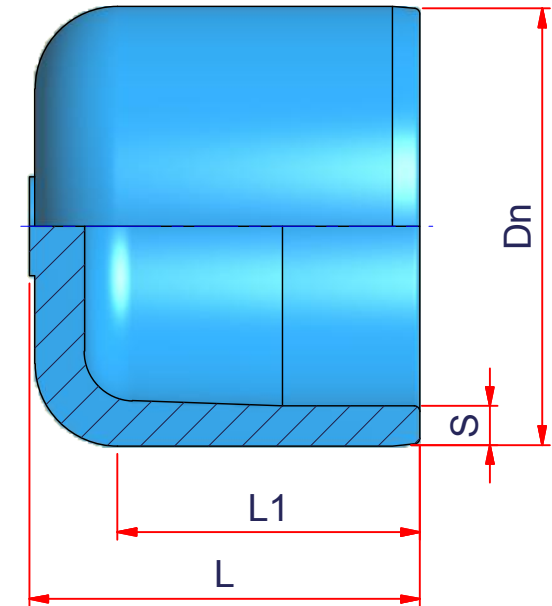




CODE	Dn	S	D	L1	L
03NCC16	16	2,7	23,5	13,5	24
03NCC20	20	3,4	30	17	29
03NCC25	25	4,2	35,5	18	34
03NCC32	32	5,4	45	20	40
03NCC40	40	6,7	54	22	42
03NCC50	50	8,3	66	25,5	48
03NCC63	63	10,5	83	34	56
03NCC75	75	12,5	99	43	61
03NCC90	90	15	119	34	68
03NCC110	110	18,3	147	37	79
03NCC125	125	20,8	162	40	87

	ITEM: <b>NCC</b>	DESC: CALOTTA DI CHIUSURA END CAP		DRAWING No: <b>NI10044</b>	
	C:\Vault_Temp\Disegni\Corinna\Tabelle\Niron\Ncc\NI10044.dwg			SHEET OF <b>1 2</b>	REV. <b>0</b>
www.nupigeco.com - info@nupigeco.com		All dimensions have to be considered in millimeters with 5% tolerance if not otherwise mentioned			



CODE	Dn	S	D	L1	L
03NCC160	160	14,8	-	117	145
03NCC200	200	19,6	-	145	175
03NCC250 *	250	22,7	-	117	150

\* SDR11

	ITEM: NCC	DESC: CALOTTA DI CHIUSURA END CAP		DRAWING No: NI10044	
	C:\Vault_Temp\Disegni\Corinna\Tabelle\Niron\Ncc\NI10044.dwg			SHEET OF 2 2	REV. 0
www.nupigeco.com - info@nupigeco.com			All dimensions have to be considered in millimeters with 5% tolerance if not otherwise mentioned		