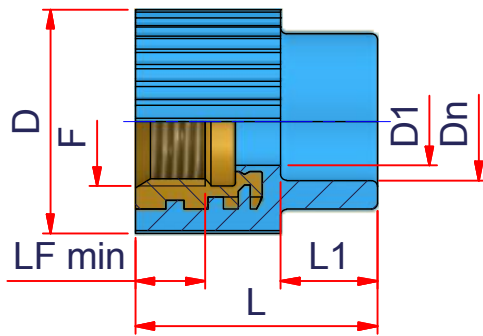
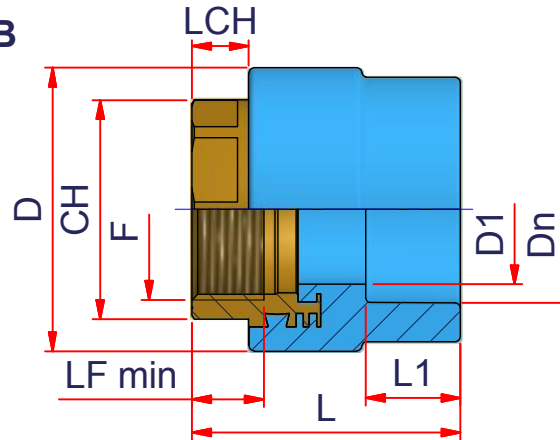


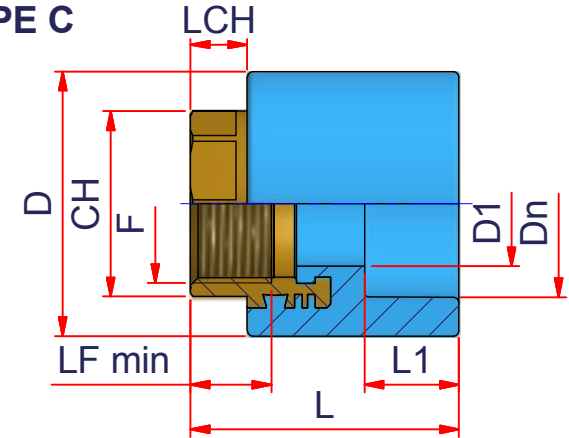
TYPE A



TYPE B

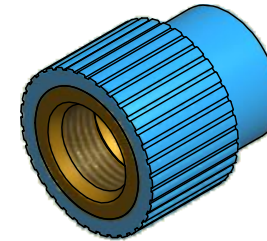


TYPE C

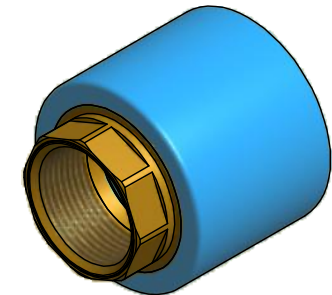


CODE	Dn	F	LF min	D1	D	L1	L	CH	LCH
03NRFF1612 (A)	16	1/2"	11,5	14,1	37	15	40	-	-
03NRFF2012 (A)	20	1/2"	11,5	14,1	37	16	40	-	-
3NRFF2034 (A)	20	3/4"	13,2	18	43	20,5	46	-	-
03NRFF2512 (A)	25	1/2"	11,5	14,1	37	17	41	-	-
03NRFF2534 (A)	25	3/4"	13,2	18	42	18	46	-	-
03NRFF3234 (A)	32	3/4"	13,2	18	45,5	21,5	51,5	-	-
03NRFF321 (A)	32	1"	18	24	54	20	52	-	-
03NRFF401 (C)	40	1"	18	24	56	22	67	38	15
03NRFF40114 (B)	40	1"1/4	21,4	33	66	22	69	46	15
03NRFF50114 (C)	50	1"1/4	21,4	33	70	25	71	46	15
03NRFF50112 (B)	50	1"1/2	19	39,5	75	25	72	55	15
03NRFF63112 (C)	63	1"1/2	19	39,5	88	29	75	55	15
03NRFF632 (B)	63	2"	23,7	50	92	29	80	65	20
03NRFF752 (C)	75	2"	23,7	50	103	33	84	65	20
03NRFF75212 (B)	75	2"1/2	30,2	63,5	110	33	89	80	20
03NRFF903 (B)	90	3"	33,3	75	129	37	99	95	23
03NRFF1104 (B)	110	4"	39,3	99,5	160	43	111	120	30
03NRFF1254 (C)	125	4"	39,3	99,5	160	47,5	115,5	120	30

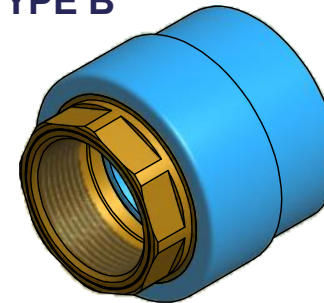
TYPE A



TYPE C



TYPE B



SISTEMA
NIRON
nupigeco

www.nupigeco.com - info@nupigeco.com

ITEM: **NRFF**

C:\Vault_Temp\Disegni\Corinna\Tabelle\Niron\Nrff\NI10006.dwg

DESC: RACCORDO FILETTATO FEMMINA
FEMALE THREADED PIPE UNION

DRAWING No:
NI10006

SHEET OF	REV.
1 1	0

All dimensions have to be considered in millimeters with 5% tolerance if not otherwise mentioned