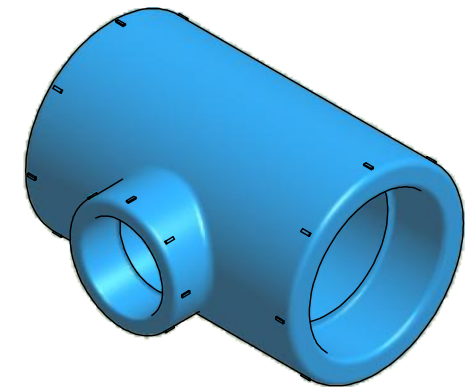


CODE	Dn1	Dn2	Dn3	S1	S2	D1	D2	D3	D4	D	L1	L2	L3	L	H1	H
03NTR162016	16	20	16	-	-	13,5	14	13,5	29	29	14	16	14	53	27	42
03NTR201620	20	16	20	-	-	16,5	13,5	16,5	29	29	16	14	16	53	27	42
03NTR251625	25	16	25	-	-	21	13,5	21	29	35	17	14	17	62	30	47,5
03NTR252025	25	20	25	-	-	21	16,5	21	29	35	17	16	17	62	30	47,5
03NTR253225	25	32	25	-	-	21	21	21	46	46	17	20	17	74	38	61
03NTR322032	32	20	32	-	-	30	16,5	30	29	46	20	16	20	75	35	58
03NTR322532	32	25	32	-	-	30	21	30	35	46	20	17	20	75	35	58
03NTR402040	40	20	40	-	-	36	16,5	36	33	53	24	16	24	74	39	66
03NTR402540	40	25	40	-	-	36	21	36	33	53	24	20	24	74	39	66
03NTR403240	40	32	40	-	-	35	30	35	54	54	22	20	22	87	43	70
03NTR502050	50	20	50	-	-	47	16,5	47	43	66	26	16	26	87	47	80
03NTR502550	50	25	50	-	-	47	21	47	43	66	26	20	26	87	47	80
03NTR503250	50	32	50	-	-	47	30	47	43	66	26	20	26	87	47	80
03NTR504050	50	40	50	-	-	43	36	43	66	66	23	22	23	102	50	83



SISTEMA
NIRON

ITEM:

NTR

DESC: RACCORDI A TEE RIDOTTO
REDUCED TEE

C:\Vault_Temp\Disegni\Corinna\Tabelle\Niron\Ntr\NI10000.dwg

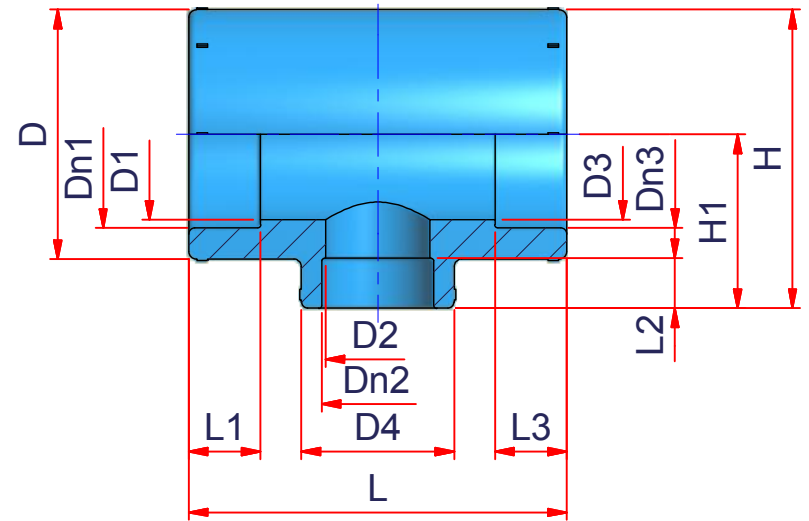


DRAWING No:
NI10000

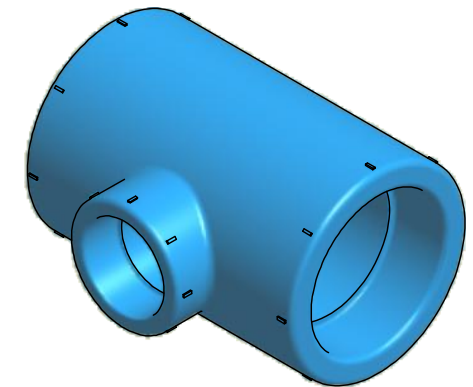
SHEET OF REV.
1 8 -5

www.nupiindustriaitaliane.com - info@nupinet.com

All dimensions have to be considered in millimeters with 5% tolerance if not otherwise mentioned excluding values as per standard EN ISO 15874



CODE	Dn1	Dn2	Dn3	S1	S2	D1	D2	D3	D4	D	L1	L2	L3	L	H1	H
03NTR632563	63	25	63	-	-	60	21	60	53	83	30	21	30	102	54	96
03NTR633263	63	32	63	-	-	60	30	60	53	83	30	21	30	102	54	96
03NTR634063	63	40	63	-	-	60	36	60	53	83	30	23	30	102	54	96
03NTR635063	63	50	63	-	-	50	46	50	80	80	25	26	25	122	64	104
03NTR753275	75	32	75	-	-	60	22	60	43	98	30	18	30	139	67	116
03NTR754075	75	40	75	-	-	60	36	60	65	98	30	23	30	139	69	118
03NTR755075	75	50	75	-	-	70	46	70	70	101	33	25	33	146	73	123,5
03NTR756375	75	63	75	-	-	70	59	70	86	101	33	29	33	146	73	123,5
03NTR906390	90	63	90	-	-	78	50	78	85	120	33	27	33	160	73	133
03NTR907590	90	75	90	-	-	87	71	87	114	114	37	33	37	167	83	140
03NTR11063110	110	63	110	-	-	100	59	100	86	146	43	33	43	200	100	173
03NTR11075110	110	75	110	-	-	100	69	100	101	146	43	33	43	200	100	173
03NTR11090110	110	90	110	-	-	100	85	100	119	146	43	37	43	200	100	173
03NTR12575125	125	75	125	-	-	113	69	113	101	165	47,5	33	47,5	250	115	197,5
03NTR12590125	125	90	125	-	-	113	85	113	122	165	47,5	37	47,5	250	115	197,5
03NTR125110125	125	110	125	-	-	113	100	113	146	165	47,5	43	47,5	250	120	202,5



SISTEMA
NIRON

ITEM:

NTR

DESC: RACCORDI A TEE RIDOTTO
REDUCED TEE

C:\Vault_Temp\Disegni\Corinna\Tabelle\Niron\Ntr\NI10000.dwg

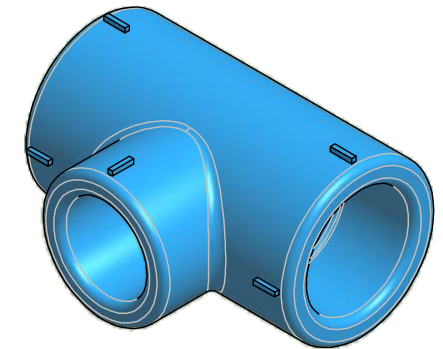
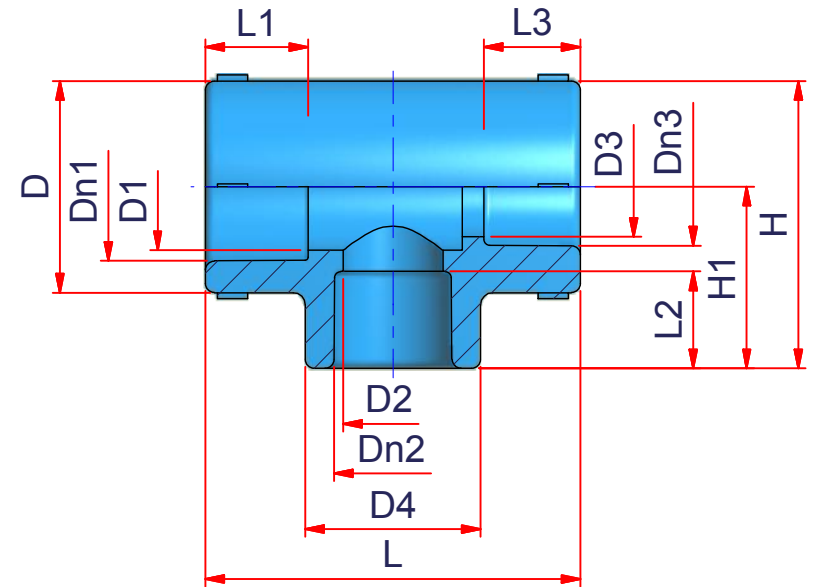


DRAWING No:
NI10000

SHEET OF REV.
2 8 -5

www.nupiindustriaitaliane.com - info@nupinet.com

All dimensions have to be considered in millimeters with 5% tolerance if not otherwise mentioned excluding values as per standard EN ISO 15874



CODE	Dn1	Dn2	Dn3	S1	S2	D1	D2	D3	D4	D	L1	L2	L3	L	H1	H
03NTR201616	20	16	16	-	-	14	13,5	13,5	29	29	16	14	14	53	27	42
03NTR252020	25	20	20	-	-	21	16,5	16,5	29	35	17	16	16	62	30	47,5
03NTR322020	32	20	20	-	-	30	16,5	16,5	29	46	20	16	16	75	35	58
03NTR322525	32	25	25	-	-	30	21	21	35	46	20	17	17	75	35	58



SISTEMA
NIRON

ITEM: **NTR**

C:\Vault_Temp\Disegni\Corinna\Tabelle\Niron\Ntr\NI10000.dwg

DESC: RACCORDI A TEE RIDOTTO
REDUCED TEE

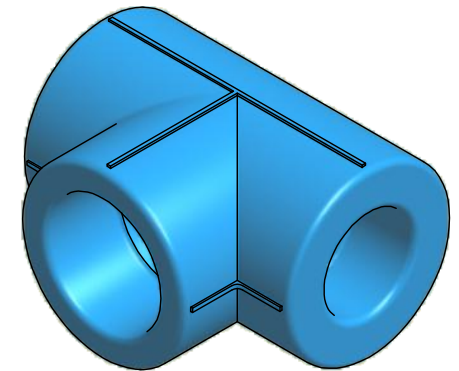
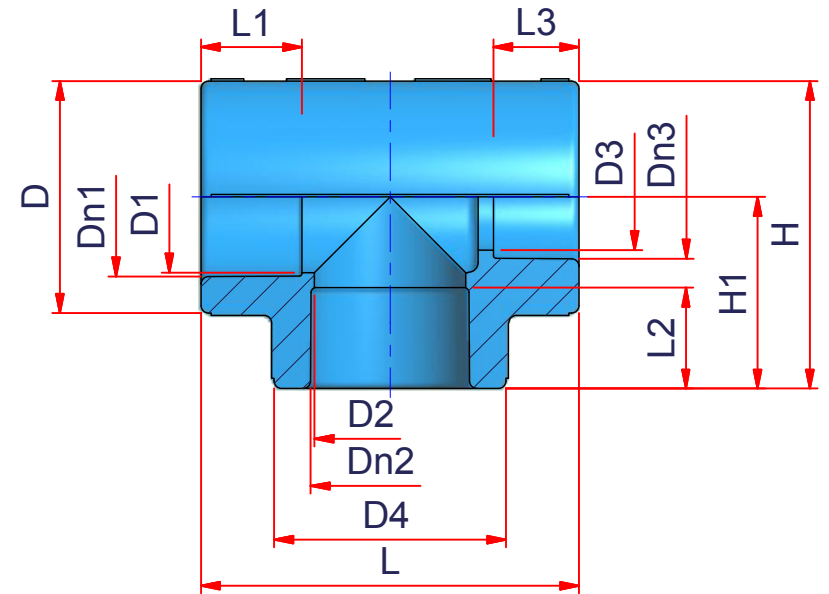


DRAWING No:
NI10000

SHEET OF	REV.
3 8	-5

www.nupiindustriaitaliane.com - info@nupinet.com

All dimensions have to be considered in millimeters with 5% tolerance if not otherwise mentioned excluding values as per standard EN ISO 15874



CODE	Dn1	Dn2	Dn3	S1	S2	D1	D2	D3	D4	D	L1	L2	L3	L	H1	H
03NTR202016	20	20	16	-	-	14	14	13,5	29	29	16	16	14	53	27	42
03NTR252520	25	25	20	-	-	21	21	16,5	35	35	17	17	16	62	30	47,5
03NTR323225	32	32	25	-	-	30	30	21	46	46	20	20	17	75	38	61



SISTEMA
NIRON

ITEM: **NTR**

DESC: RACCORDI A TEE RIDOTTO
REDUCED TEE

C:\Vault_Temp\Disegni\Corinna\Tabelle\Niron\Ntr\NI10000.dwg

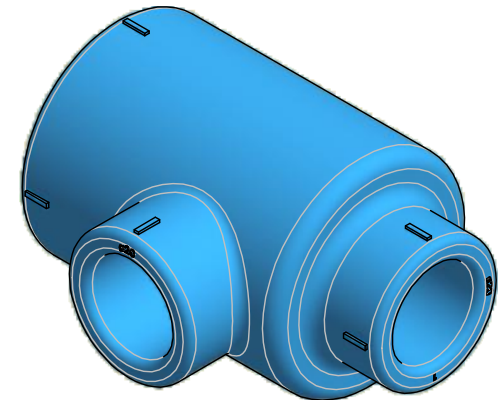
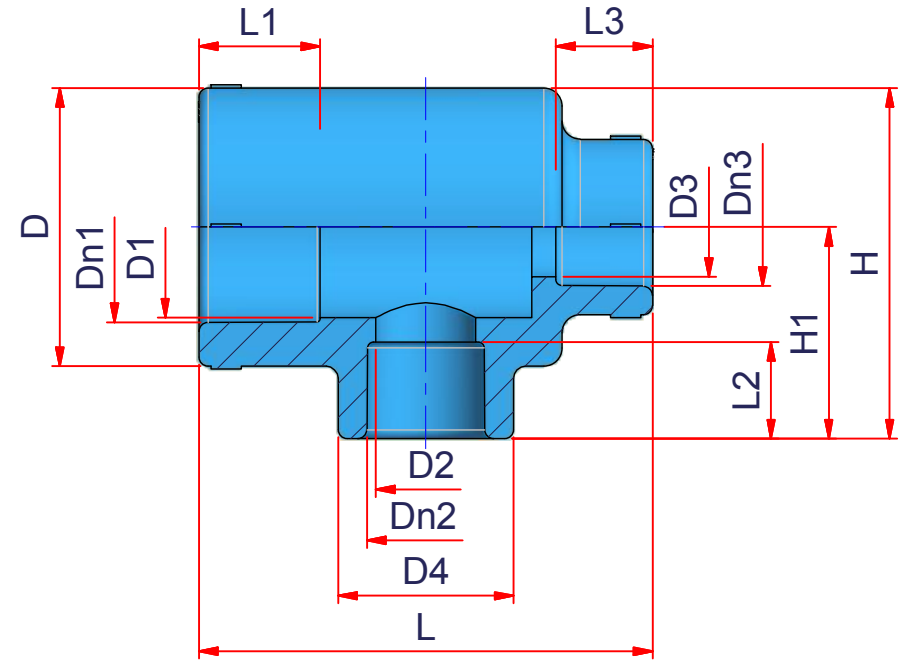


DRAWING No:
NI10000

SHEET OF	REV.
4 8	-5

www.nupiindustriaitaliane.com - info@nupinet.com

All dimensions have to be considered in millimeters with 5% tolerance if not otherwise mentioned excluding values as per standard EN ISO 15874



CODE	Dn1	Dn2	Dn3	S1	S2	D1	D2	D3	D4	D	L1	L2	L3	L	H1	H
03NTR322020	32	20	20	-	-	30	16,5	16,5	29	46	20	16	16	75	35	58



SISTEMA
NIRON

ITEM: **NTR**

C:\Vault_Temp\Disegni\Corinna\Tabelle\Niron\Ntr\Ni10000.dwg

DESC: RACCORDI A TEE RIDOTTO
REDUCED TEE

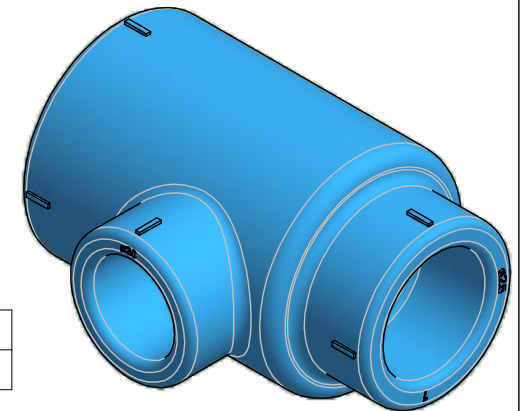
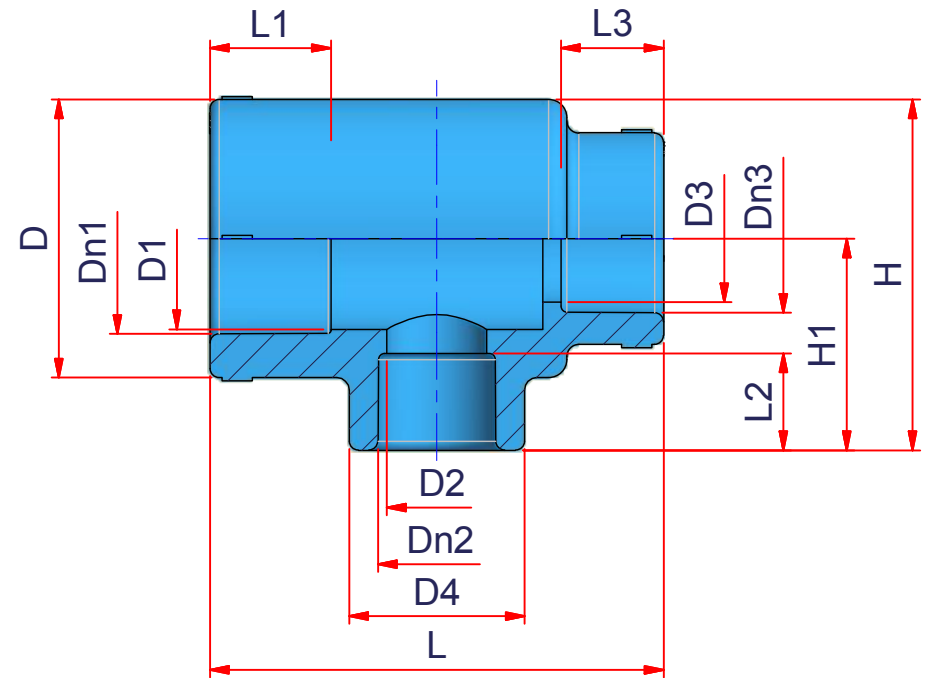


DRAWING No:
NI10000

SHEET OF	REV.
5 8	-5

www.nupiindustriaitaliane.com - info@nupinet.com

All dimensions have to be considered in millimeters with 5% tolerance if not otherwise mentioned excluding values as per standard EN ISO 15874



CODE	Dn1	Dn2	Dn3	S1	S2	D1	D2	D3	D4	D	L1	L2	L3	L	H1	H
03NTR322025	32	20	25	-	-	30	16,5	21	29	46	20	16	17	75	35	58



SISTEMA
NIRON

ITEM: **NTR**

C:\Vault_Temp\Disegni\Corinna\Tabelle\Niron\Ntr\Ni10000.dwg

DESC: RACCORDI A TEE RIDOTTO
REDUCED TEE

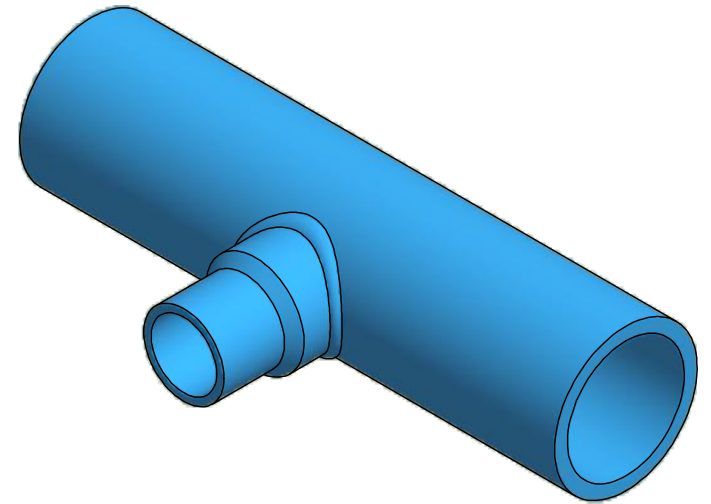
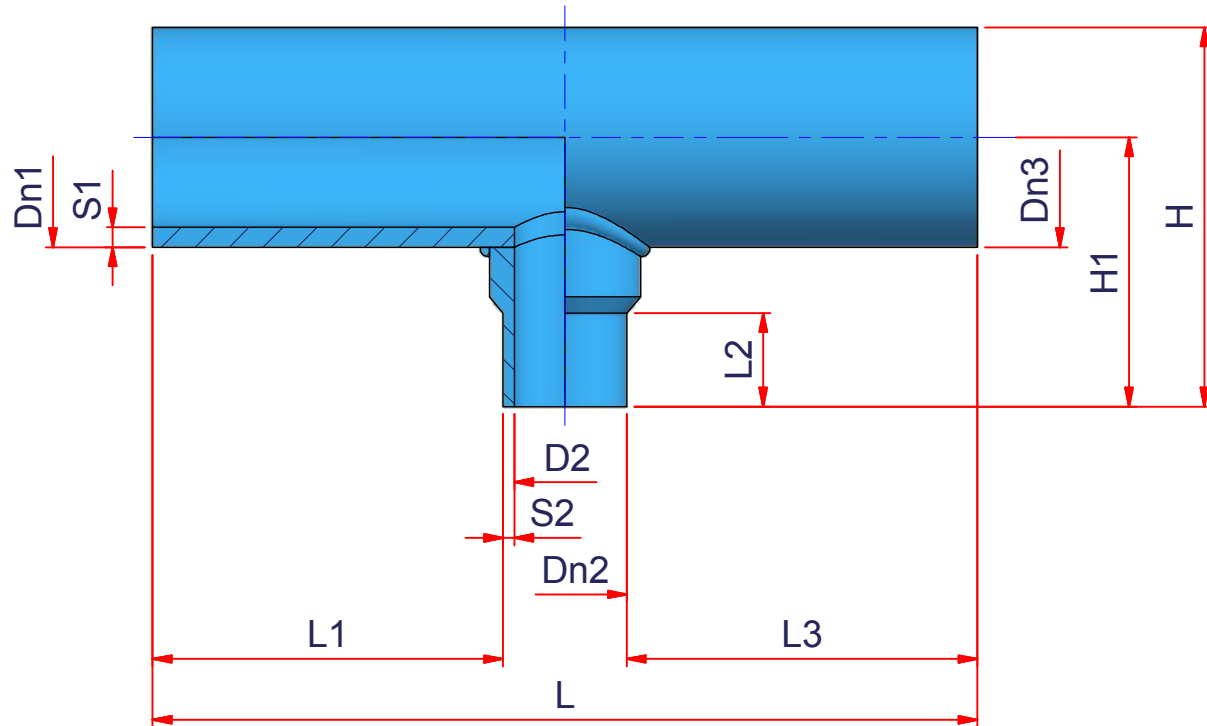


DRAWING No:
NI10000

SHEET OF	REV.
6 8	-5

www.nupiindustriaitaliane.com - info@nupinet.com

All dimensions have to be considered in millimeters with 5% tolerance if not otherwise mentioned excluding values as per standard EN ISO 15874



CODE	Dn1	Dn2	Dn3	S1	S2	D1	D2	D3	D4	D	L1	L2	L3	L	H1	H
03NTR16075160	160	75	160	14,6	6,8	-	59,8	-	-	-	187,5	82	187,5	450	185	265
03NTR16090160	160	90	160	14,6	8,2	-	73,6	-	-	-	180	78	180	450	189	269
03NTR160110160	160	110	160	14,6	10	-	90	-	-	-	170	78	170	450	196	276
03NTR160125160	160	125	160	14,6	11,4	-	102,2	-	-	-	162,5	100	162,5	450	223	303
03NTR20075200	200	75	200	18,2	6,8	-	59,8	-	-	-	235,5	82	235,5	550	205	305
03NTR20090200	200	90	200	18,2	8,2	-	73,6	-	-	-	230	78	230	550	209	309
03NTR200110200	200	110	200	18,2	10	-	90	-	-	-	245	78	245	600	216	316
03NTR200125200	200	125	200	18,2	11,4	-	102,2	-	-	-	237,5	100	237,5	600	243	343
03NTR200160200	200	160	200	18,2	14,6	-	130,8	-	-	-	220	97	220	600	235	335



SISTEMA
NIRON

ITEM: **NTR**

DESC: RACCORDI A TEE RIDOTTO
REDUCED TEE

C:\Vault_Temp\Disegni\Corinna\Tabelle\Niron\Ntr\NI10000.dwg

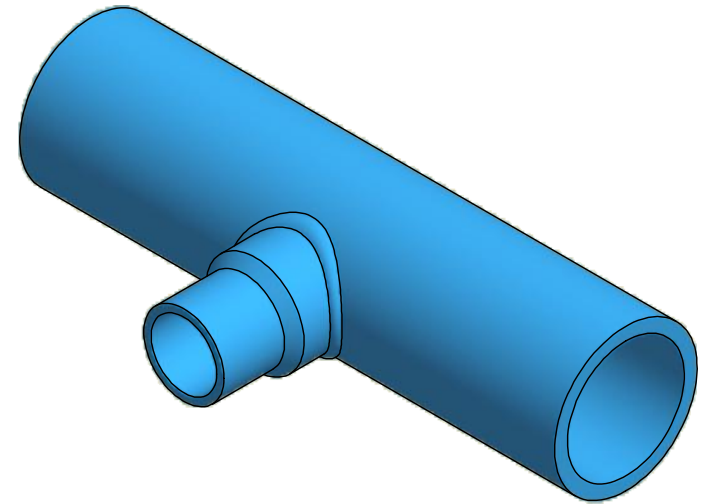
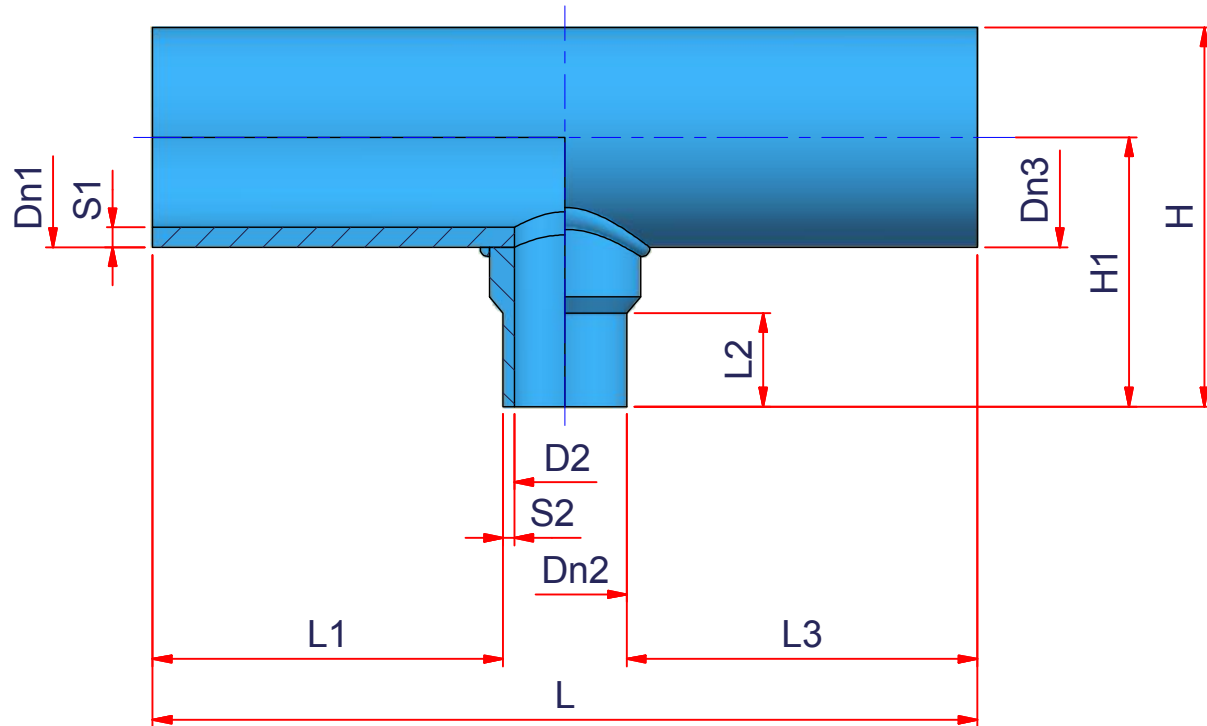


DRAWING No:
NI10000

SHEET OF REV.
7 8 -5

www.nupiindustriaitaliane.com - info@nupinet.com

All dimensions have to be considered in millimeters with 5% tolerance if not otherwise mentioned excluding values as per standard EN ISO 15874



CODE	Dn1	Dn2	Dn3	S1	S2	D1	D2	D3	D4	D	L1	L2	L3	L	H1	H
03NTR25075250	250	75	250	22,7	6,8	-	59,8	-	-	-	262,5	82	262,5	600	230	355
03NTR25090250	250	90	250	22,7	8,2	-	73,6	-	-	-	255	78	255	600	234	359
03NTR250110250	250	110	250	22,7	10	-	90	-	-	-	245	78	245	600	241	365
03NTR250125250	250	125	250	22,7	11,4	-	102,2	-	-	-	237,5	100	237,5	600	268	393
03NTR250160250	250	160	250	22,7	14,6	-	130,8	-	-	-	220	103	220	600	313	438
03NTR31575315	315	75	315	28,6	6,8	-	59,8	-	-	-	362,5	82	362,5	800	262,5	420
03NTR31590315	315	90	315	28,6	8,2	-	73,6	-	-	-	355	78	355	800	266,5	424
03NTR315110315	315	110	315	28,6	10	-	90	-	-	-	345	78	345	800	273,5	431
03NTR315125315	315	125	315	28,6	11,4	-	102,2	-	-	-	337,5	100	337,5	800	300,5	458
03NTR315160315	315	160	315	28,6	14,6	-	130,8	-	-	-	320	103	320	800	345,5	503



SISTEMA
NIRON

ITEM:

NTR

DESC: RACCORDI A TEE RIDOTTO
REDUCED TEE

C:\Vault_Temp\Disegni\Corinna\Tabelle\Niron\Ntr\NI10000.dwg



DRAWING No:
NI10000

SHEET OF	REV.
8 8	-5

www.nupiindustriaitaliane.com - info@nupinet.com

All dimensions have to be considered in millimeters with 5% tolerance if not otherwise mentioned excluding values as per standard EN ISO 15874