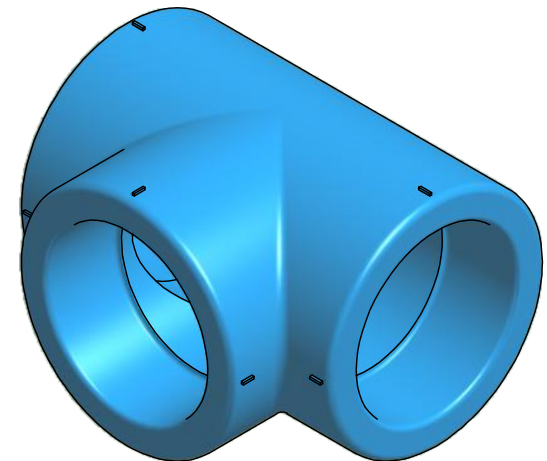


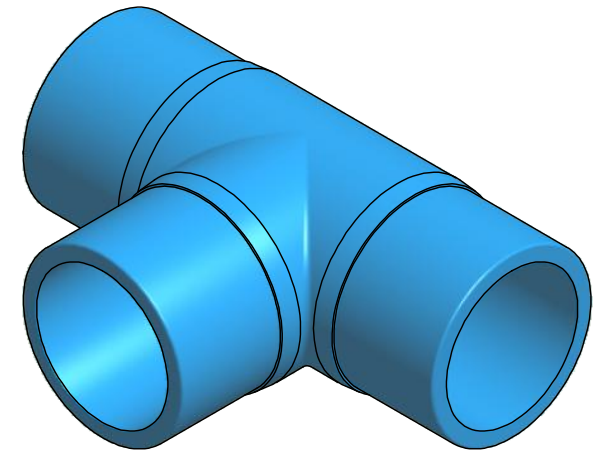
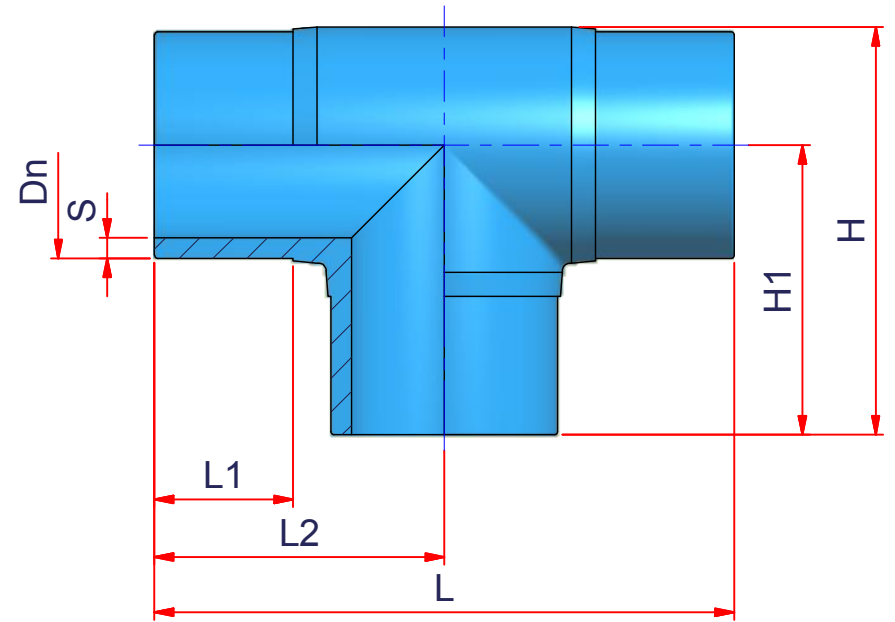


CODE	Dn	S	D1	D	L1	L2	L	H1	H
03NT16	16	-	13	24	14,5	23,5	47	23,5	35,5
03NT20	20	-	21	33	16	27	54	27	43,5
03NT25	25	-	21	35	17	31,5	63	31,5	49
03NT32	32	-	30	46	20	37	74	37	60
03NT40	40	-	36	56	22	43	86	43	71
03NT50	50	-	46	70	25	51	102	51	86
03NT63	63	-	59	88	29	62	124	62	106
03NT75	75	-	70	101	33	73	146	73	123,5
03NT90	90	-	88	113	37	84	168	84	140,5
03NT110	110	-	100	146	43	100	200	100	173
03NT125	125	-	113	165	47,5	125	250	125	207,5

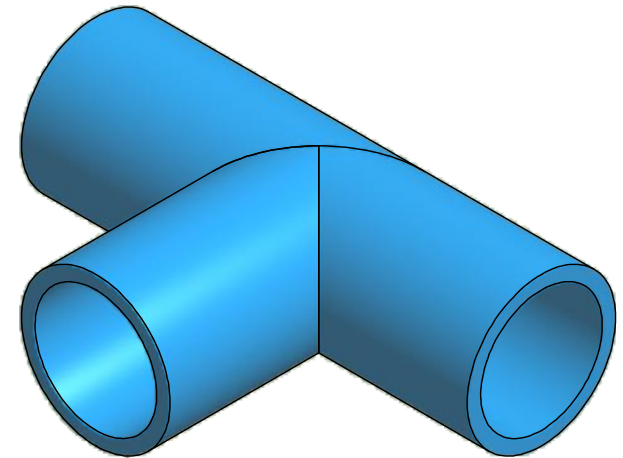
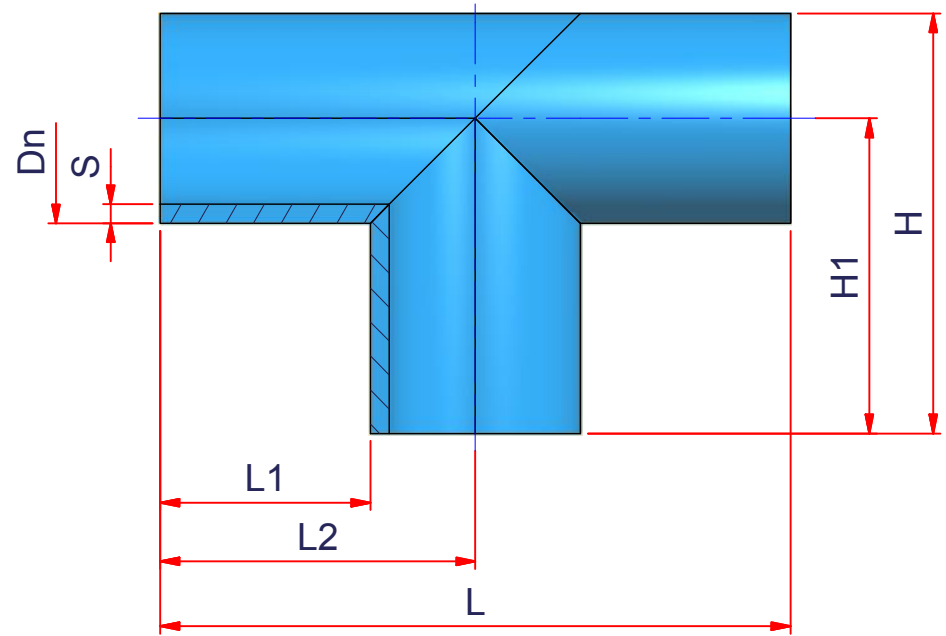


	ITEM: NT	DESC: RACCORDO A TEE TEE		DRAWING No: NI10027	
	C:\Vault_Temp\Disegni\Corinna\Tabelle\Niron\NT\NI10027.dwg			SHEET OF 1 3	REV. 0
www.nupigeco.com - info@nupigeco.com		All dimensions have to be considered in millimeters with 5% tolerance if not otherwise mentioned			



CODE	Dn	S	D1	D	L1	L2	L	H1	H
03NT160	160	14,6	-	-	101	210	420	210	293,5
03NT200	200	18,2	-	-	115	245	490	245	349

 nupigeco	ITEM: NT	DESC: RACCORDO A TEE TEE SDR11		DRAWING No: NI10027	
	C:\Vault_Temp\Disegni\Corinna\Tabelle\Niron\NT\NI10027.dwg			SHEET OF 2 3	REV. 0
www.nupigeco.com - info@nupigeco.com		All dimensions have to be considered in millimeters with 5% tolerance if not otherwise mentioned			



CODE	Dn	S	D1	D	L1	L2	L	H1	H
03NT250	250	22,7	-	-	250	375	750	375	500




nupigeco

www.nupigeco.com - info@nupigeco.com

ITEM: **NT**

C:\Vault_Temp\Disegni\Corinna\Tabelle\Niron\NT\NI10027.dwg

DESC: RACCORDO A TEE
TEE


 DRAWING No:
NI10027

SHEET OF	REV.
3 3	0

All dimensions have to be considered in millimeters with 5% tolerance if not otherwise mentioned