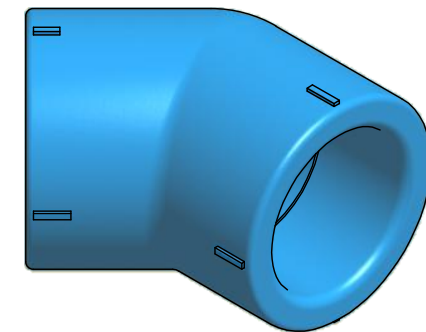


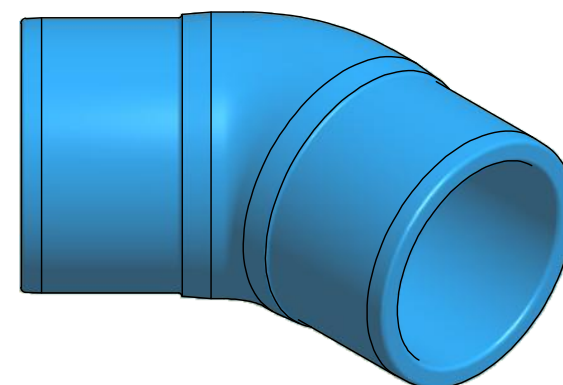
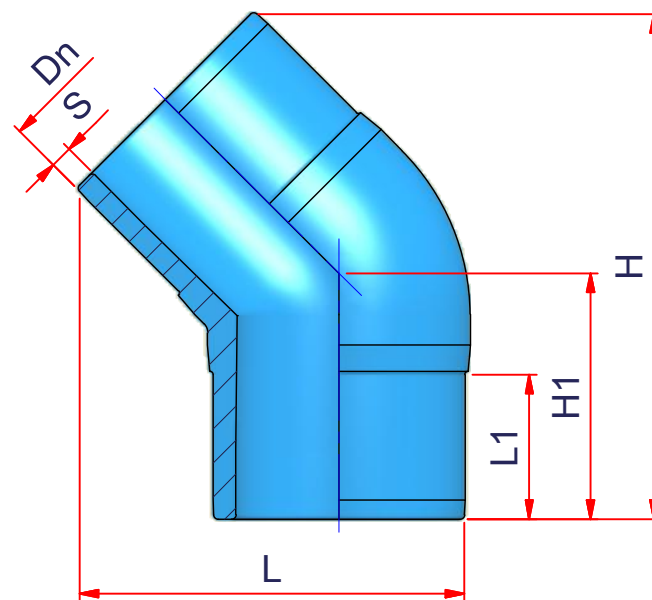




CODE	Dn	S	D1	D	L1	L	H1	H
03NC4516	16	-	15	25	13	33	16,5	37
03NC4520	20	-	16,5	29	16	33	21,5	46
03NC4525	25	-	23,5	34	16	46	24,5	53,5
03NC4532	32	-	30	42	20	56	29	64
03NC4540	40	-	36	53	22	67	32	72,5
03NC4550	50	-	47,5	66	25	83,5	39,5	90
03NC4563	63	-	60	83	29	102	45	105
03NC4575	75	-	70	99	33	129,5	65	145
03NC4590	90	-	86	123,5	37	145	57	140
03NC45110	110	-	100	146	43	172,5	70	169,5
03NC45125	125	-	113	165	47,5	194	78	189,5

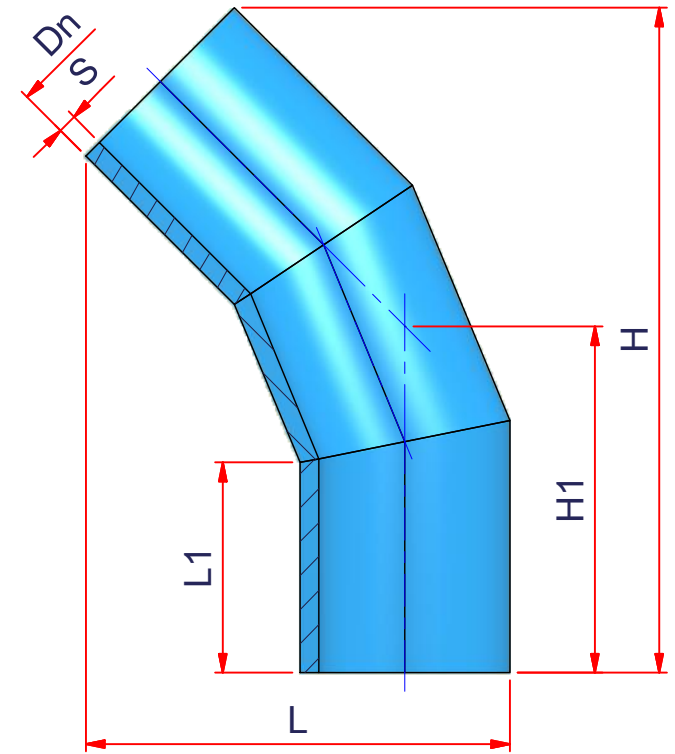


	ITEM: NC	DESC: CURVA A 45° 45° ELBOW		DRAWING No: NI10025	
	C:\Vault_Temp\Disegni\Corinna\Tabelle\Niron\Nci\NI10025.dwg			SHEET OF 1 3	REV. 0
www.nupigeco.com - info@nupigeco.com		All dimensions have to be considered in millimeters with 5% tolerance if not otherwise mentioned			

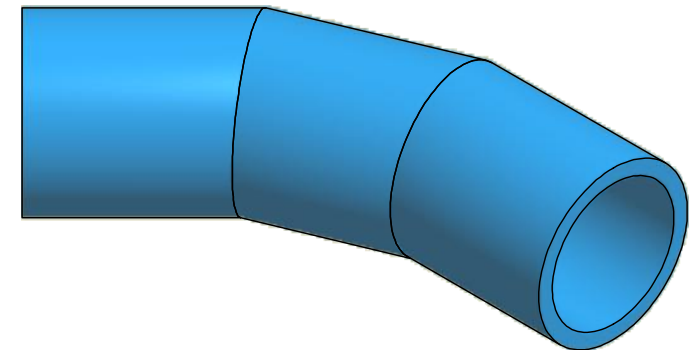


CODE	Dn	S	D1	D	L1	L	H1	H
03NC45160	160	14,6	-	-	103	245	150	311
03NC45200	200	18,2	-	-	117	306	195	402

 <b>nupigeco</b>	ITEM: NC	DESC: CURVA A 45° 45° ELBOW		DRAWING No: NI10025	
	C:\Vault_Temp\Disegni\Corinna\Tabelle\Niron\Nc\NI10025.dwg			SHEET OF 2 3	REV. 0
www.nupigeco.com - info@nupigeco.com		All dimensions have to be considered in millimeters with 5% tolerance if not otherwise mentioned			



CODE	Dn	S	D1	D	L1	L	H1	H
03NC45250	250	22,7	-	-	250	505	412	792





  
**nupigeco**

  
[www.nupigeco.com](http://www.nupigeco.com) - [info@nupigeco.com](mailto:info@nupigeco.com)

ITEM: **NC**  
C:\Vault\_Temp\Disegni\Corinna\Tabelle\Niron\Nc\NI10025.dwg

DESC: CURVA A 45°  
 45° ELBOW


 DRAWING No:  
**NI10025**  
 SHEET OF 3 3 REV. 0

All dimensions have to be considered in millimeters with 5% tolerance if not otherwise mentioned