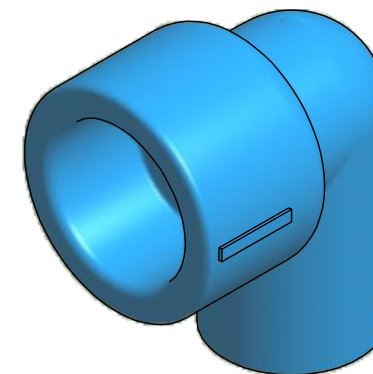




CODE	Dn1	Dn2	D1	D	L1	L2	L	H1	H
03NGMF20	20	20	13,2	30	16	29	39	28,5	43,5
03NGMF25	25	25	16,6	35	16	33	45,5	35	52,5
03NGMF32	32	32	24	43	20	34	50	47,5	68,5
03NGMF40	40	40	24	43	20	34	50	47,5	68,5



	ITEM: NGMF	DESC: GOMITO A 90° MASCHIO/FEMMINA MALE/FEMALE 90° ELBOW		DRAWING No: NI10024	
	C:\Vault_Temp\Disegni\Corinna\Tabelle\Niron\Ngmf\NI10024.dwg			SHEET OF 1 1	REV. 0
www.nupigeco.com - info@nupigeco.com		All dimensions have to be considered in millimeters with 5% tolerance if not otherwise mentioned			