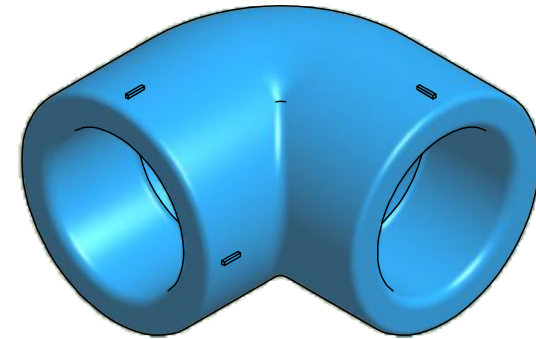
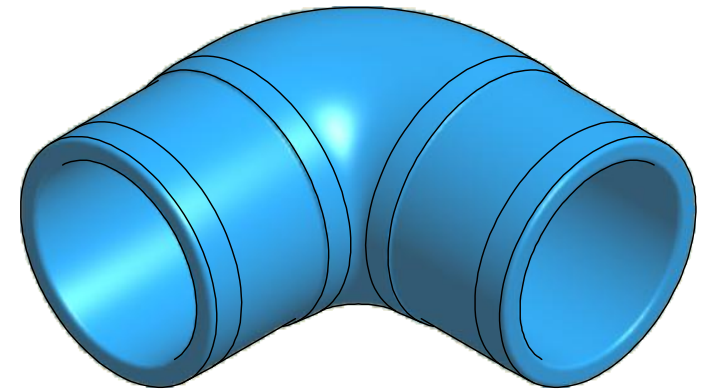
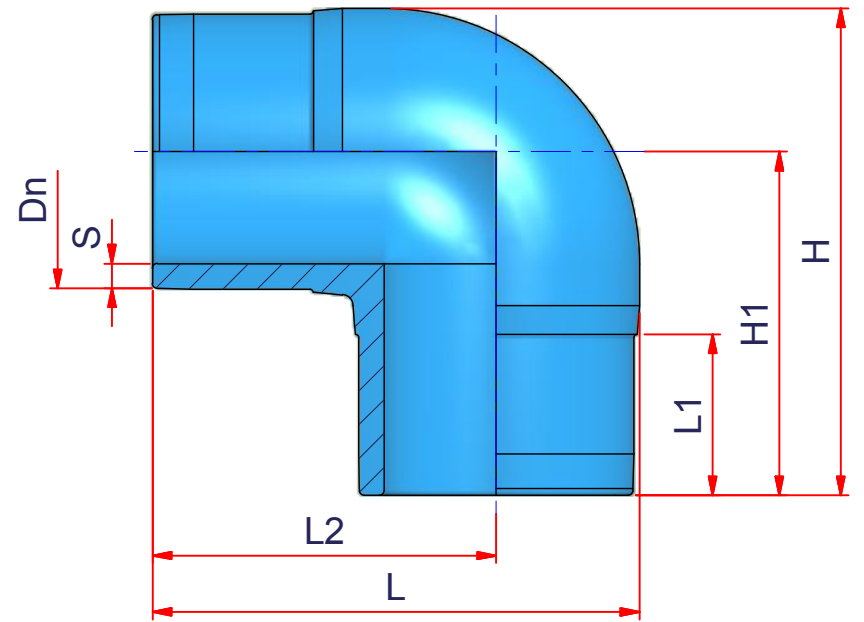


CODE	Dn	S	D1	D	L1	L2	L	H1	H
03NG16	16	-	15	24	13	24	36	24	36
03NG20	20	-	16,5	29	16	27	41,5	27	41,5
03NG25	25	-	23,5	35,5	16	31	49	31	49
03NG32	32	-	30	46	20	37	60	37	60
03NG40	40	-	36	56	22	43	71	43	71
03NG50	50	-	46	70	25	51	86	51	86
03NG63	63	-	59	88	29	62	106	62	106
03NG75	75	-	70	101	33	73	123,5	73	123,5
03NG90	90	-	86	113	37	82,5	139	82,5	139
03NG110	110	-	100	146	43	100	173	100	173
03NG125	125	-	113	165	47,5	125	207,5	125	207,5



	ITEM:	NG	DESC: GOMITO A 90° 90° ELBOW		DRAWING No:	
						NI10014
					SHEET OF	REV.
					1 3	0
www.nupigeco.com - info@nupigeco.com		All dimensions have to be considered in millimeters with 5% tolerance if not otherwise mentioned				




CODE	Dn	S	D1	D	L1	L2	L	H1	H
03NG160	160	14,6	-	-	101	207	287	213	293,5
03NG200	200	18,2	-	-	116	250	350	255	355

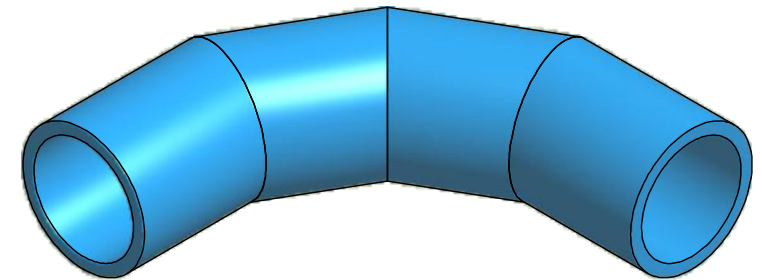
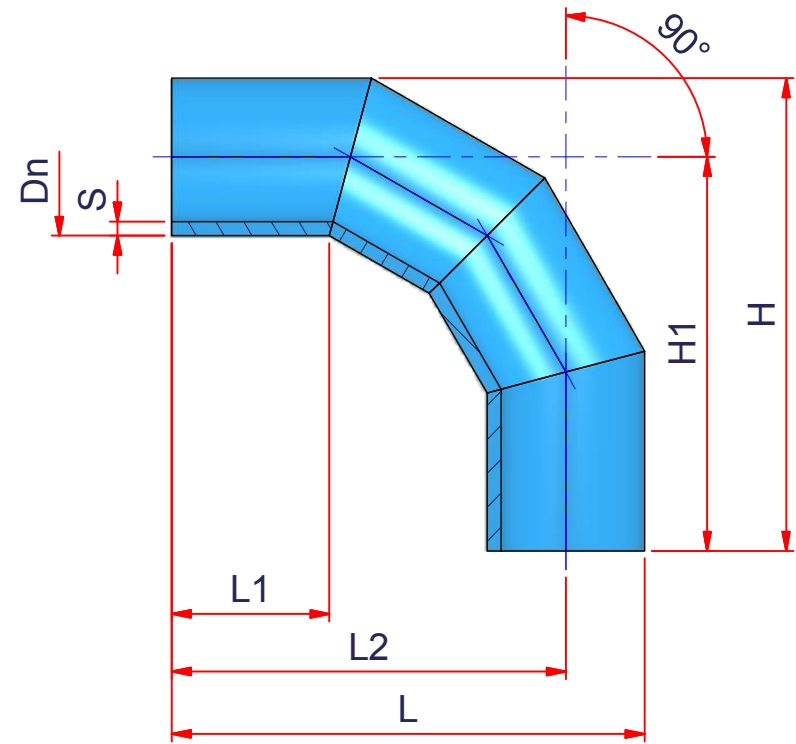

www.nupigeco.com - info@nupigeco.com

ITEM: **NG**
C:\Vault_Temp\Disegni\Corinna\Tabelle\Niron\Ngl\NI10014.dwg



DESC: GOMITO A 90°
 90° ELBOW


 DRAWING No:
NI10014
 SHEET OF 2 3 REV. 0

All dimensions have to be considered in millimeters with 5% tolerance if not otherwise mentioned



CODE	Dn	S	D1	D	L1	L2	L	H1	H
03NG250	250	22,7	-	-	250	625	750	625	750

	ITEM:	NG	DESC: GOMITO A 90° 90° ELBOW		DRAWING No:			
						NI10014		
	C:\Vault_Temp\Disegni\Corinna\Tabelle\Niron\Ngl\NI10014.dwg			SHEET OF	REV.			
www.nupigeco.com - info@nupigeco.com		All dimensions have to be considered in millimeters with 5% tolerance if not otherwise mentioned				3	3	0