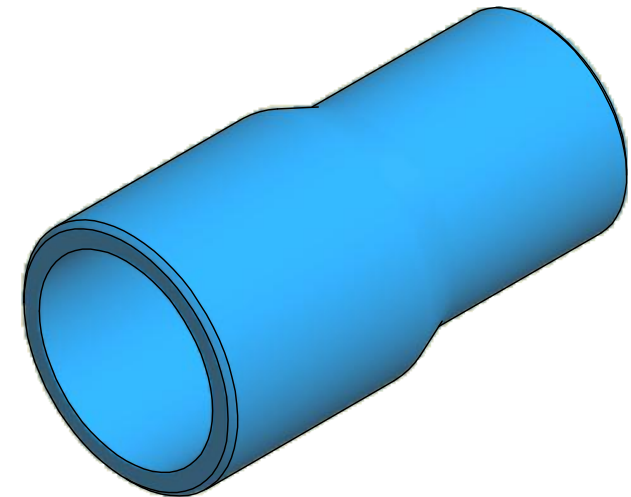
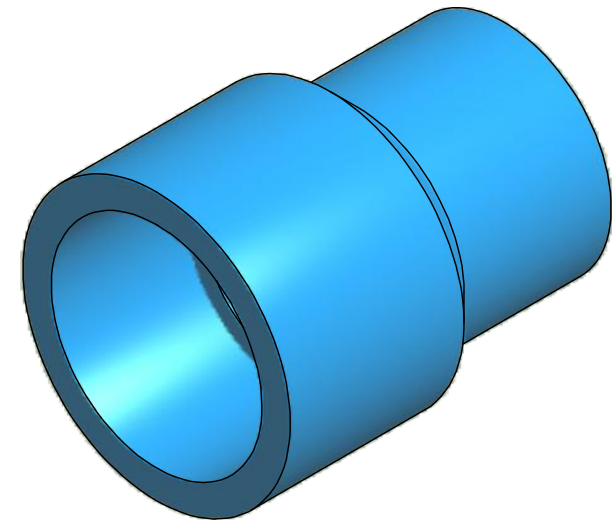
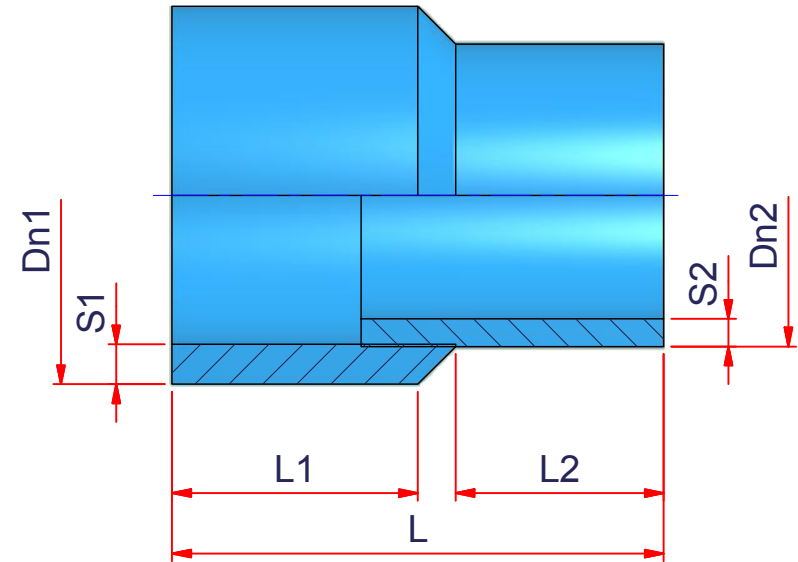


CODE	Dn1	S1	Dn2	S2	L1	L2	L
03NRMM7540	75	68	40	3,7	65	48	143
03NRMM7550	75	6,8	50	4,6	65	48	141
03NRMM7563	75	6,8	63	5,8	71	64	150
03NRMM9050	90	8,2	50	4,6	73	57	152
03NRMM9063	90	8,2	63	5,8	71	57	150
03NRMM9075	90	8,2	75	6,8	81	72	175
03NRMM11063	110	10	63	5,8	85	70	175
03NRMM11075	110	10	75	6,8	88	58	185
03NRMM11090	110	10	90	8,2	78	70	175
03NRMM12575	125	11,4	75	6,8	92	60	199
03NRMM12590	125	11,4	90	8,2	86	70	186
03NRMM125110	125	11,4	110	10	89	77	187



	ITEM: NRMM	DESC: RIDUZIONE MASCHIO/MASCHIO (PN10) PER SALDATURA CON MANICOTTO ELETROSALDABILE REDUCER MALE/MALE PN10 FOR ELECTRIC FITTINGS		DRAWING No: NI10033	
	<small>C:\Vault_Templ\Disegni\Corinna\Tabelle\Niron\Nmm\NI10033.dwg</small>			SHEET OF 1 2	REV. 0
www.nupigeco.com - info@nupigeco.com		All dimensions have to be considered in millimeters with 5% tolerance if not otherwise mentioned			



CODE	Dn1	S1	Dn2	S2	L1	L2	L
03NRMM200160	200	21,2	160	14,5	130	110	260

	ITEM: NRMM	DESC: RIDUZIONE MASCHIO/MASCHIO (PN10) PER SALDATURA CON MANICOTTO ELETTROSALDABILE REDUCER MALE/MALE PN10 FOR ELECTRIC FITTINGS		DRAWING No: NI10033	
	<small>C:\Vault_Templ\Disegni\Corinna\Tabelle\Niron\Nmm\NI10033.dwg</small>			SHEET OF 2 2	REV. 0
www.nupigeco.com - info@nupigeco.com		All dimensions have to be considered in millimeters with 5% tolerance if not otherwise mentioned			