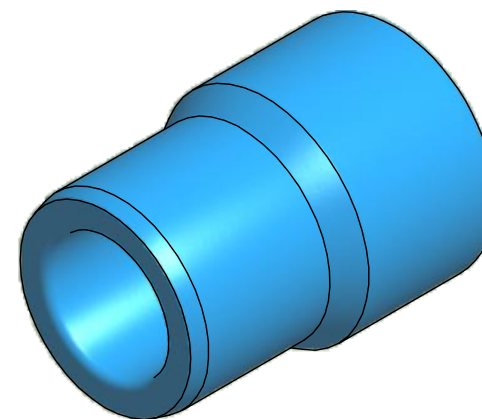
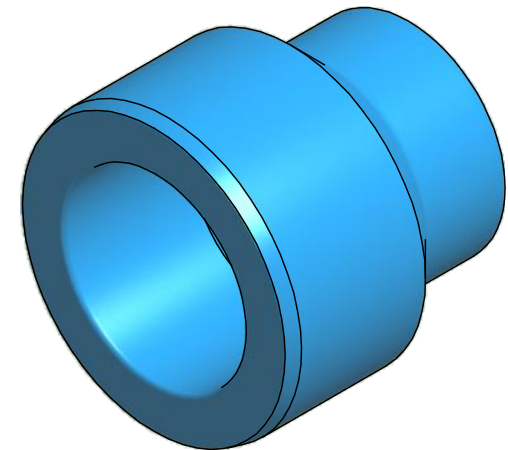
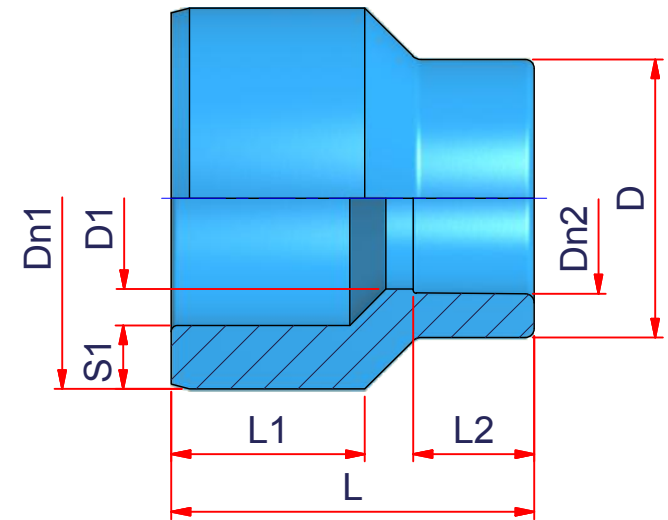




CODE	Dn1	S1	Dn2	D1	D	L1	L2	L
03NR2016	20	3,4	16	-	24	16	18	37
03NR2516	25	4,2	16	-	26	19	18	39
03NR2520	25	4,2	20	-	29	19	16	41
03NR3225	32	5,4	25	-	35	22	17	44
03NR4032	40	6,7	32	-	46	25	20	50
03NR5040	50	8,3	40	-	56	28	22	55
03NR6350	63	10,5	50	-	70	32	25	54
03NR7563	75	12,5	63	-	83	36	29	74
03NR9075	90	15	75	-	96	37	34	80
03NR11090	110	18,3	90	-	114,5	37	37	77
03NR125110	125	20,8	110	-	151	35	40	92

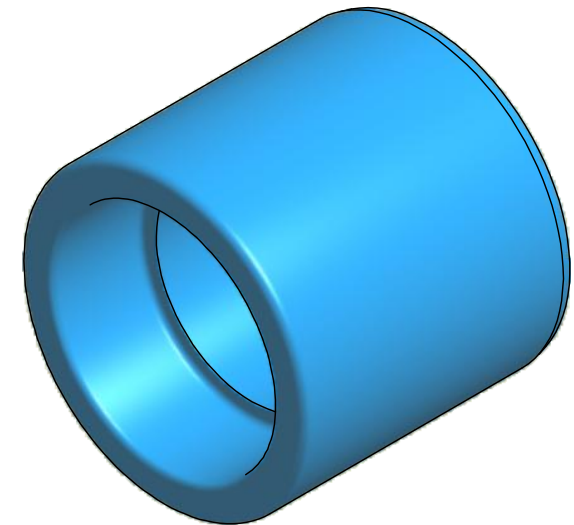
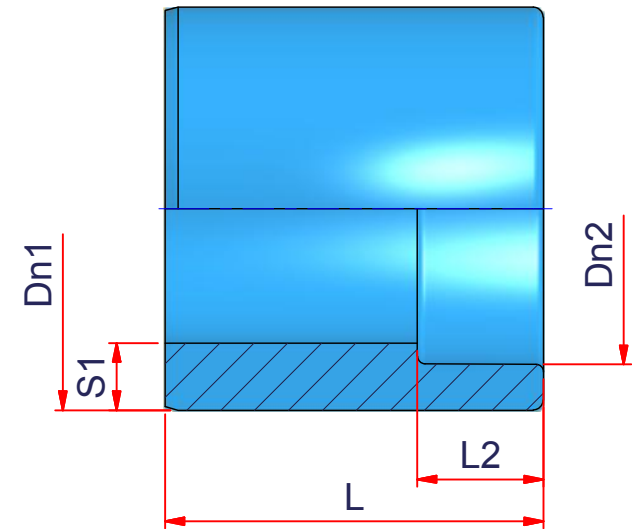


	ITEM: NR	DESC: RIDUZIONE REDUCING SOCKET		DRAWING No: NI10032	
	C:\Vault_Temp\Disegni\Corinna\Tabelle\Niron\Nr\NI10032.dwg			SHEET OF 1 3	REV. 0
www.nupigeco.com - info@nupigeco.com	All dimensions have to be considered in millimeters with 5% tolerance if not otherwise mentioned				

CODE	Dn1	S1	Dn2	D1	D	L1	L2	L
03NR3220	32	5,4	20	16	29	20	16	45
03NR4020	40	6,7	20	16	29	25	16	45
03NR4025	40	6,7	25	21	35	25	17	45
03NR5020	50	8,3	20	16	29	28	16	53
03NR5025	50	8,3	25	21	35	28	17	53
03NR5032	50	8,3	32	30	46	28	20	53
03NR6325	63	10,5	25	21	35	32	17	60
03NR6332	63	10,5	32	30	46	32	20	60
03NR6340	63	10,5	40	37	56	32	22	60
03NR7520	75	12,5	20	20	26,5	35	5	62
03NR7525	75	12,5	25	25	33	34	9	62
03NR7532	75	12,5	32	32	43	35	12	62
03NR7540	75	12,5	40	40	43	35	25	62
03NR7550	75	12,5	50	50	66	34	20	59
03NR11063	110	18,3	63	59	88	46	29	80
03NR11075	110	18,3	75	69	101	46	33	80



	ITEM: NR	DESC: RIDUZIONE REDUCING SOCKET		DRAWING No: NI10032	
	C:\Vault_Temp\Disegni\Corinna\Tabelle\Niron\Nr\NI10032.dwg			SHEET OF 2 3	REV. 0
www.nupigeco.com - info@nupigeco.com		All dimensions have to be considered in millimeters with 5% tolerance if not otherwise mentioned			



CODE	Dn1	S1	Dn2	D1	D	L1	L2	L
03NR9063	90	15	63	-	-	-	29	81
03NR12590	125	20,8	90	-	-	-	37	104
03NR160110	160	26,6	110	-	-	-	43	143
03NR160125	160	26,6	125	-	-	-	50	150

	ITEM: NR	DESC: RIDUZIONE REDUCING SOCKET		DRAWING No: NI10032	
	C:\Vault_Temp\Disegni\Corinna\Tabelle\Niron\Nr\NI10032.dwg			SHEET OF 3 3	REV. 0
www.nupigeco.com - info@nupigeco.com		All dimensions have to be considered in millimeters with 5% tolerance if not otherwise mentioned			