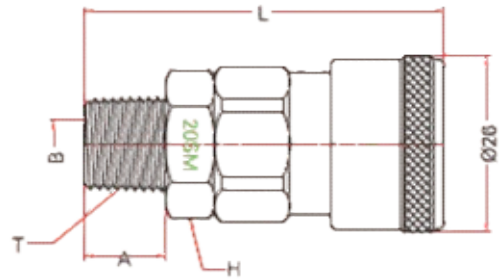


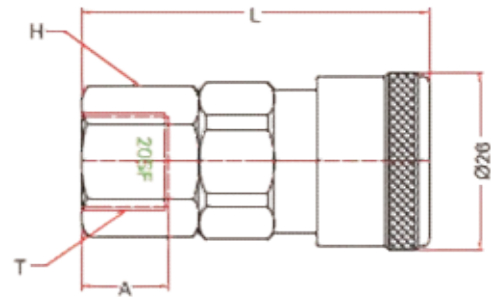
TRADITIONAL STYLE

Quick coupler two touch type. 1/4 Body massive flow.

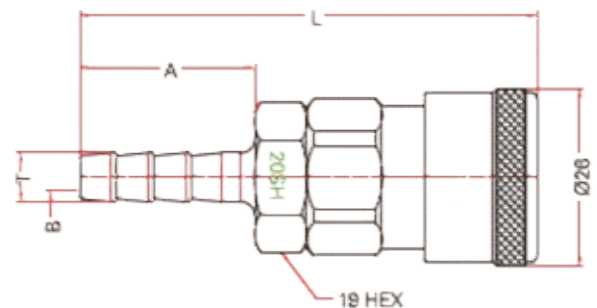
Steel material with plated finish.



MODEL	APPLICATION	DIMENSIONS(mm)					
		Ls	H(HEX)	A	T	ØB	
NC20M	1/4	54.5	19	13	1/4PT	7	
NC30M	3/8	55.5	19	14	3/8PT	8	
NC40M	1/2	57.5	21	16	1/2PT	12	



MODEL	APPLICATION	DIMENSIONS(mm)				
		L	H(HEX)	A	T	
NC20F	1/4	51.7	19	13	1/4PT	
NC30F	3/8	52.7	21	14	3/8PT	
NC40F	1/2	54.2	24	15	1/2PT	

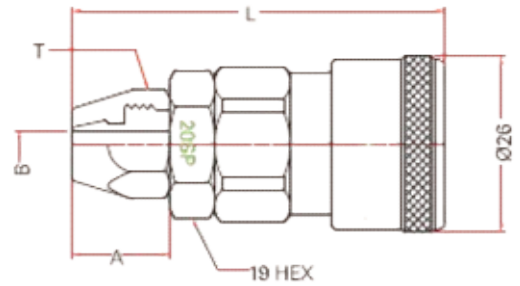


MODEL	APPLICATION (HOSE I.D.)	DIMENSIONS(mm)				
		L	A	ØT	ØB	
NC20H	1/4	68	26	7.2	4.5	
NC25H	5/16	72	30	9	5	
NC30H	3/8	73.5	31.5	11.3	7.5	
NC40H	1/2	75	33	14.5	9	

TRADITIONAL STYLE

Quick coupler two touch type. 1/4 Body massive flow.

Steel material with plated finish.



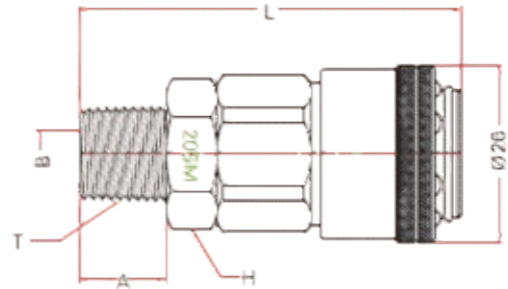
MODEL	APPLICATION (PU TUBE)	DIMENSIONS(mm)				ØB
		L	T(HEX)	A		
NC20P	5mm*8mm	55.5	14	14	4	
NC30P	6.5mm*10mm	59.5	5/8	18.5	5	
NC40P	8mm*12mm	61	19	20	6.5	
NC45P	8.5mm*12.5mm	61	19	20	6.5	

ONETOUCH STYLE

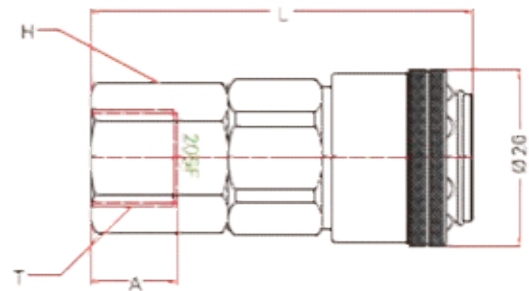
Quick coupler one touch type. 1/4 Body massive flow.

Simply push the plug into the coupler; saves connecting time and increases work efficiency.

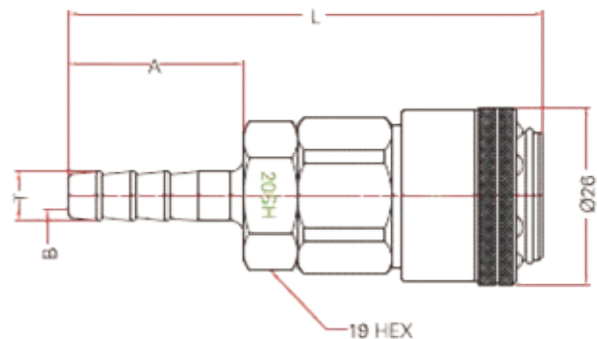
Steel material with plated finish.



MODEL	APPLICATION	DIMENSIONS(mm)				
		L	H(HEX)	A	T	ØB
NOC20M	1/4	57	19	13	1/4PT	7
NOC30M	3/8	58	19	14	3/8PT	8
NOC40M	1/2	60	21	16	1/2PT	12



MODEL	APPLICATION	DIMENSIONS(mm)			
		Ls	H(HEX)	A	T
NOC20F	1/4	57	19	13	1/4PT
NOC30F	3/8	58.5	21	14	3/8PT
NOC40F	1/2	62	24	15	1/2PT



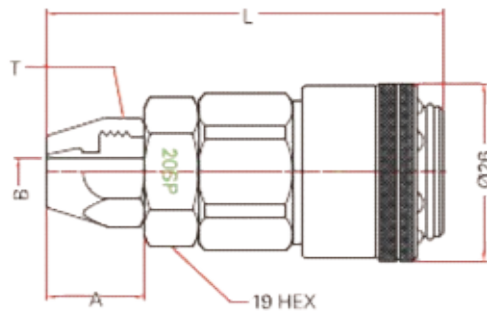
MODEL	APPLICATION (HOSE I.D.)	DIMENSIONS(mm)			
		L	A	ØT	ØB
NOC20H	1/4	70.5	26	7.2	4.5
NOC25H	5/16	74.5	30	9	5
NOC30H	3/8	76	31.5	11.3	7.5
NOC40H	1/2	77.5	33	14.5	9

ONETOUCH STYLE

Quick coupler one touch type. 1/4 Body massive flow.

Simply push the plug into the coupler; saves connecting time and increases work efficiency.

Steel material with plated finish.

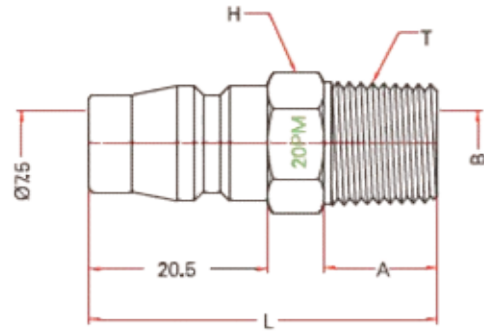


MODEL	APPLICATION (PU TUBE)	DIMENSIONS(mm)				ØB
		L	T(HEX)	A		
NOC20P	5mm*8mm	55.5	14	14	4	
NOC30P	6.5mm*10mm	59.5	5/8	18.5	5	
NOC40P	8mm*12mm	61	19	20	6.5	
NOC45P	8.5mm*12.5mm	61	19	20	6.5	

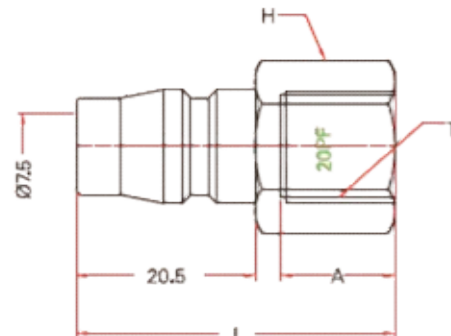
PLUG STYLE

For traditional one touch and lock style quick coupler.

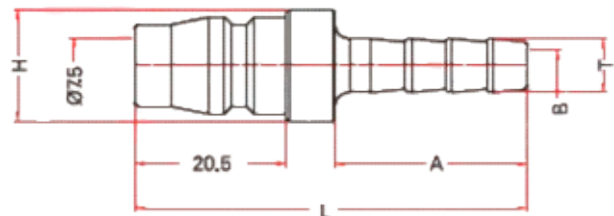
1/4 steel body material with massive flow.



MODEL	APPLICATION	DIMENSIONS(mm)					ØB
		L	H(HEX)	A	T		
NP20M	1/4	40	14	13	1/4PT	7.5	
NP30M	3/8	41.5	17	14	3/8PT	7.5	
NP40M	1/2	44.5	21	16	1/2PT	12	



MODEL	APPLICATION	DIMENSIONS(mm)				T
		L	H(HEX)	C		
NP20F	1/4	36.5	17	13	1/4PT	
NP30F	3/8	37.5	21	14	3/8PT	
NP40F	1/2	40.5	24	15	1/2PT	

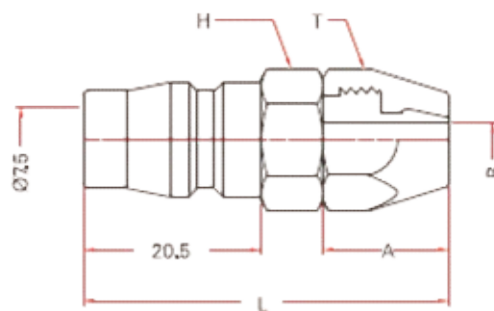


MODEL	APPLICATION (HOSE I.D.)	DIMENSIONS(mm)					ØB
		L	ØH	A	ØT		
NP20H	1/4	53	15	26	7.2	4.5	
NP25H	5/16	57	15	30	9	5	
NP30H	3/8	59	15	31.5	11.3	7.5	
NP40H	1/2	60.5	18	33	14.5	9	

PLUG STYLE

For traditional one touch and lock style quick coupler.

1/4 steel body material with massive flow.



MODEL	APPLICATION (PU TUBE)	DIMENSIONS(mm)				
		L	H(HEX)	T(HEX)	A	ØB
NP20P	5mm*8mm	42	1/4	1/4	14.5	4
NP30P	6.5mm*10mm	45	5/8	5/8	18.5	5
NP40P	8mm*12mm	48	19	19	20	6.5
NP45P	8.5mm*12.5mm	48	19	19	6.5	6.5