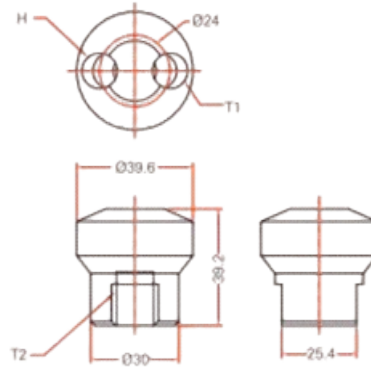


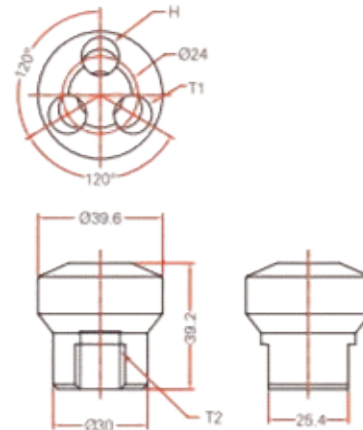
Multipass Air Manifold

YA2



MODEL	MATERIAL	H	DIMENSIONS(mm)		
			T2		T1
YA2	Aluminium	2	1/4"PT/NPT	3/8"PT/NPT	1/4"PT/NPT

YA3



MODEL	MATERIAL	H	DIMENSIONS(mm)		
			T2		T1
YA3	Aluminium	3	1/4"PT/NPT	3/8"PT/NPT	1/4"PT/NPT

YA22



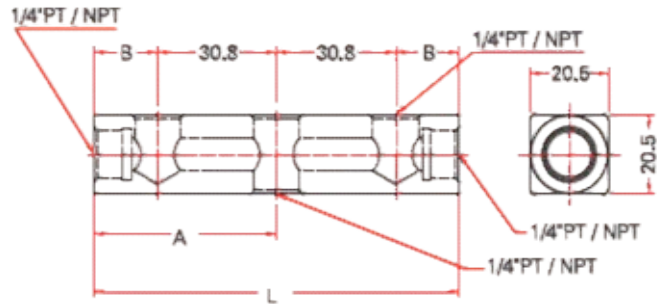
YA32



*Body fit for all coupler and plug series

Multipass Air Manifold

TA3



TA2



TA4



TA5



MODEL	MATERIAL	DIMENSIONS(mm)		
		L	A	B
TA2	Aluminium	64	32	16.6
TA3	Aluminium	95	47.5	16.7
TA4	Aluminium	130	65	18.8
TA5	Aluminium	159	79.5	17.9

TA22



TA32



TA42



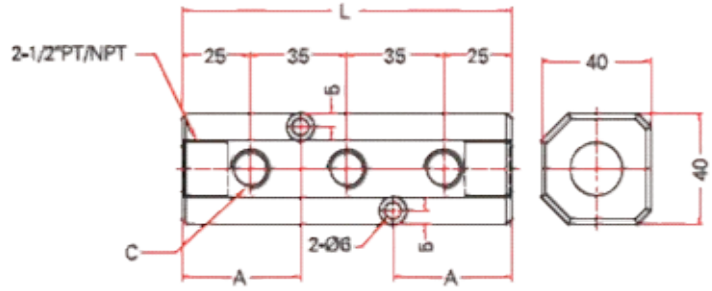
TA52



* Botfly flt for all coupler and plug series

Multipass Large Flow Air Manifold

LA3



LA2



LA4



LA5



MODEL	MATERIAL	L	DIMENSIONS(mm)		
			A	C	
LA2	Aluminium	85	42.5	2-1/4"PT/NPT	
LA3	Aluminium	120	43.23	3-1/4"PT/NPT	
LA4	Aluminium	155	40.1	4-1/4"PT/NPT	
LA5	Aluminium	190	43.38	5-1/4"PT/NPT	

LA22



LA32



LA42



LA52



* Botfly flt for all coupler and plug series