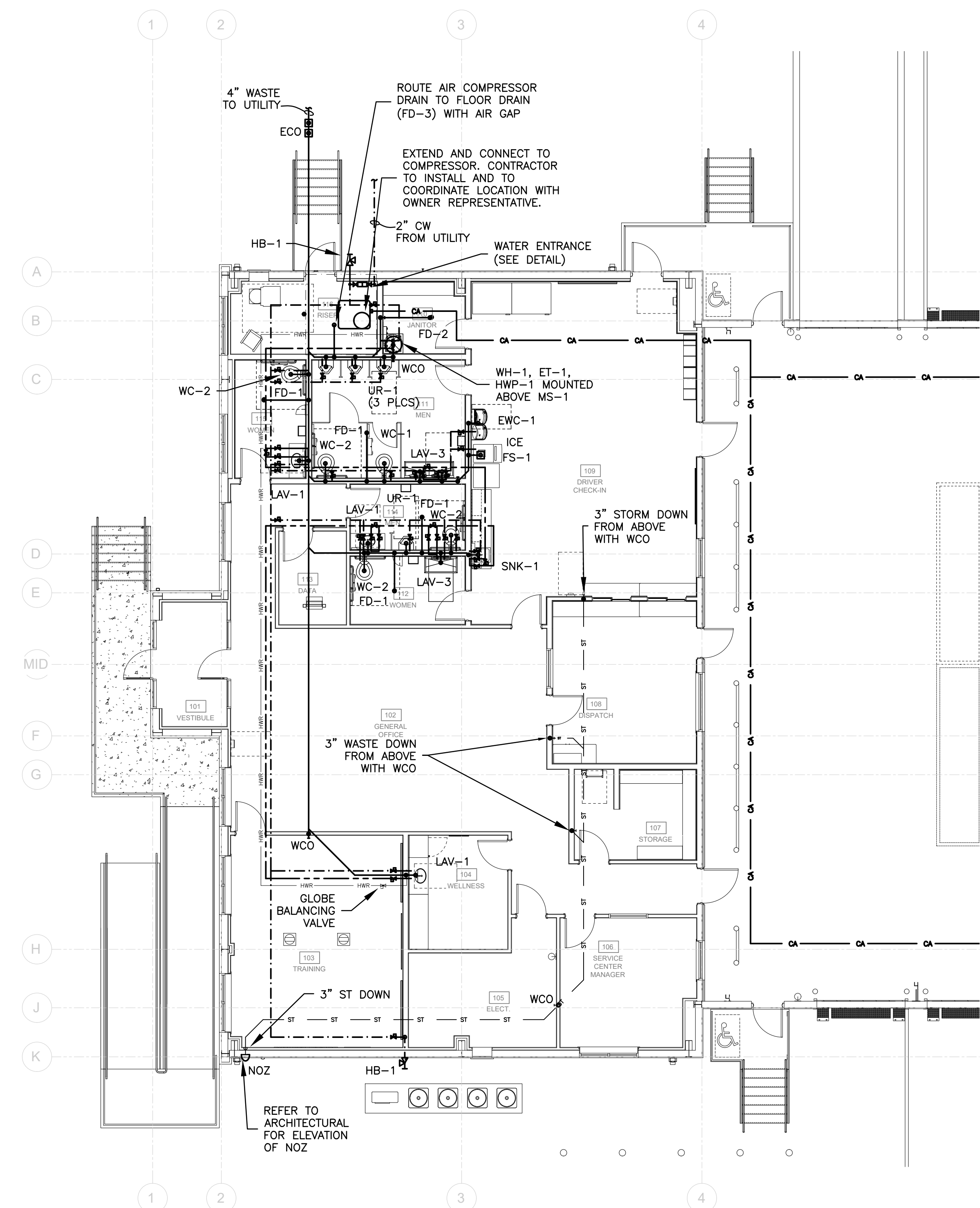
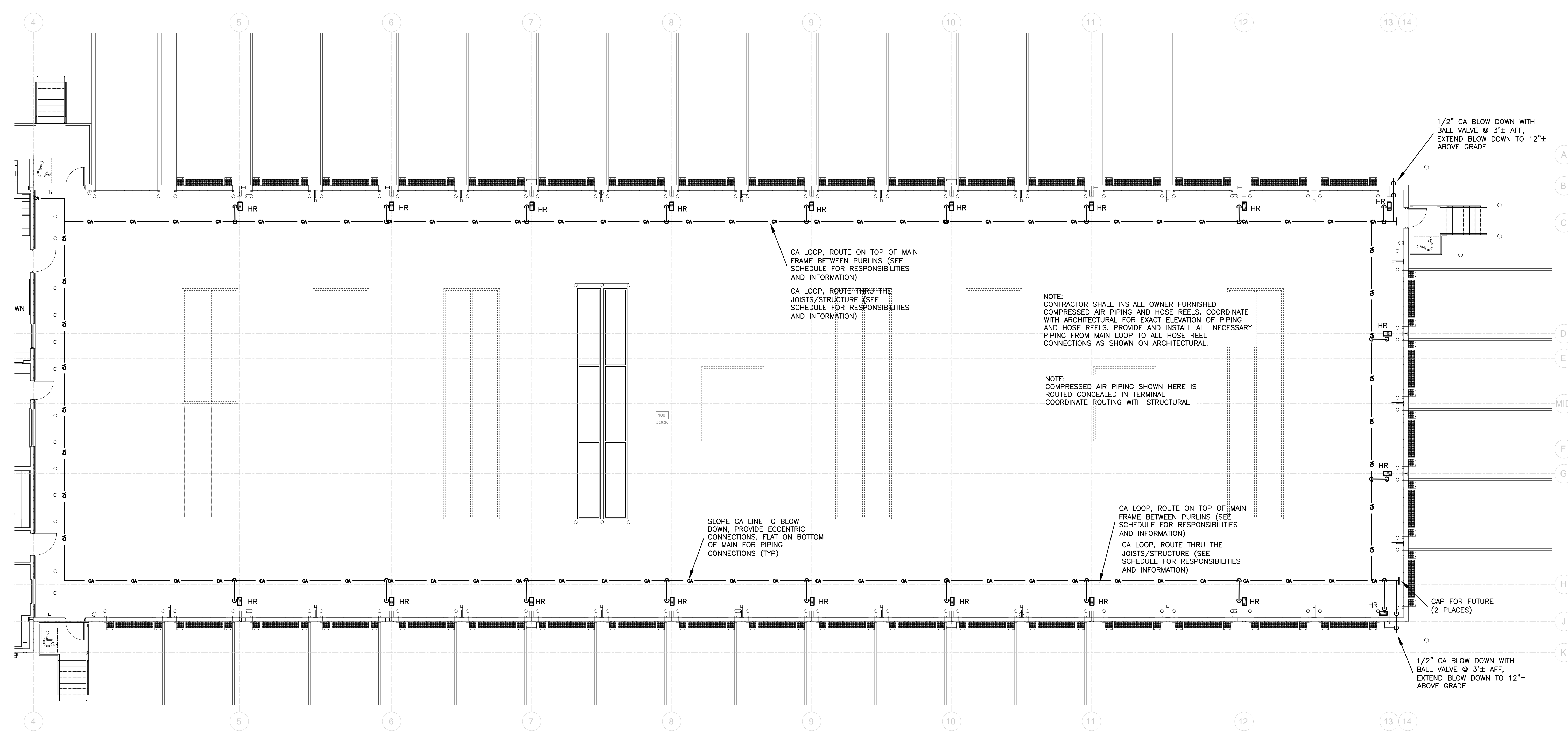


2 EQUIPMENT PLATFORM PLUMBING PLAN
1/4" = 1'-0"



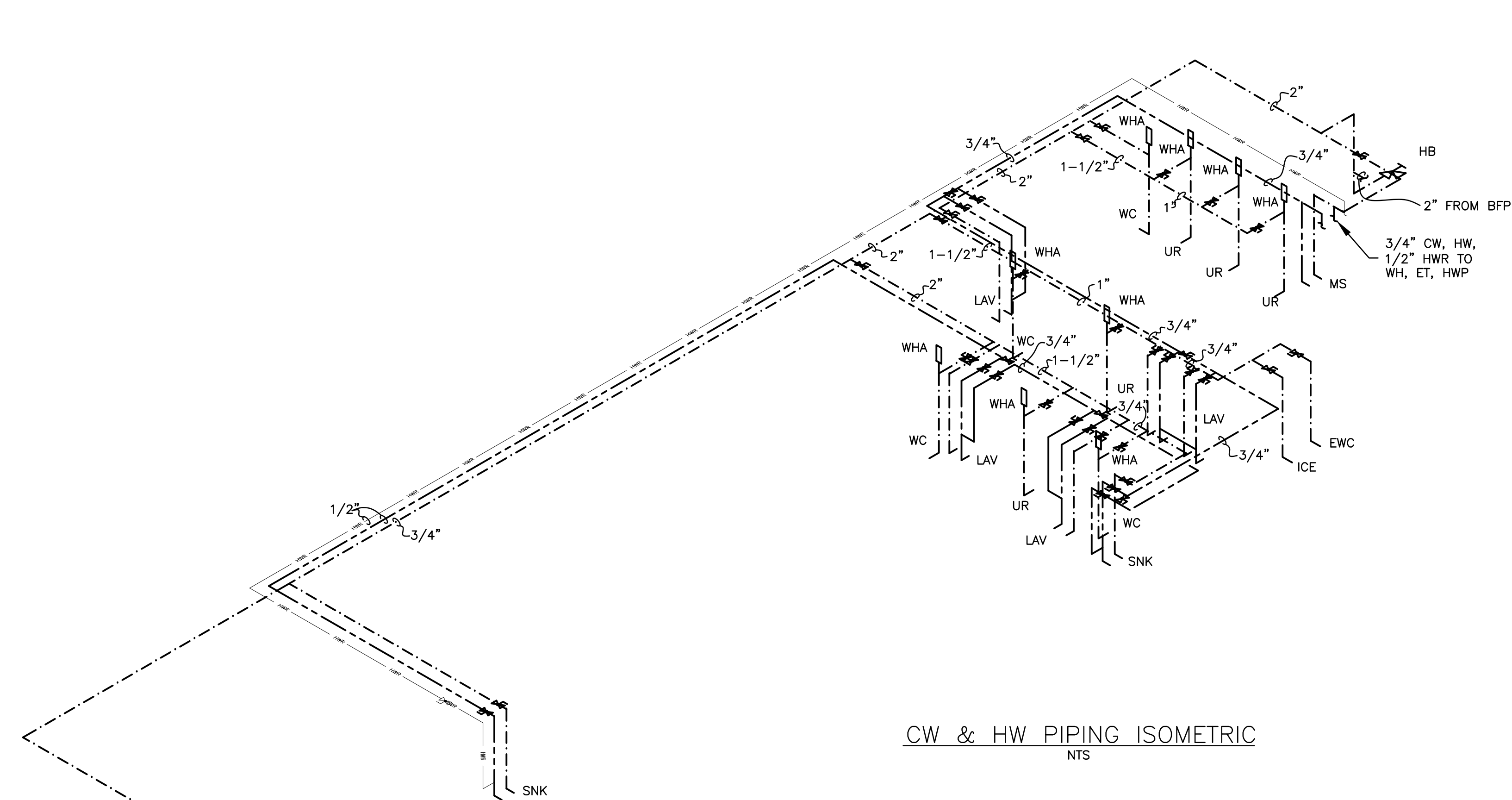
1 OFFICE PLUMBING PLAN
1/8" = 1'-0"



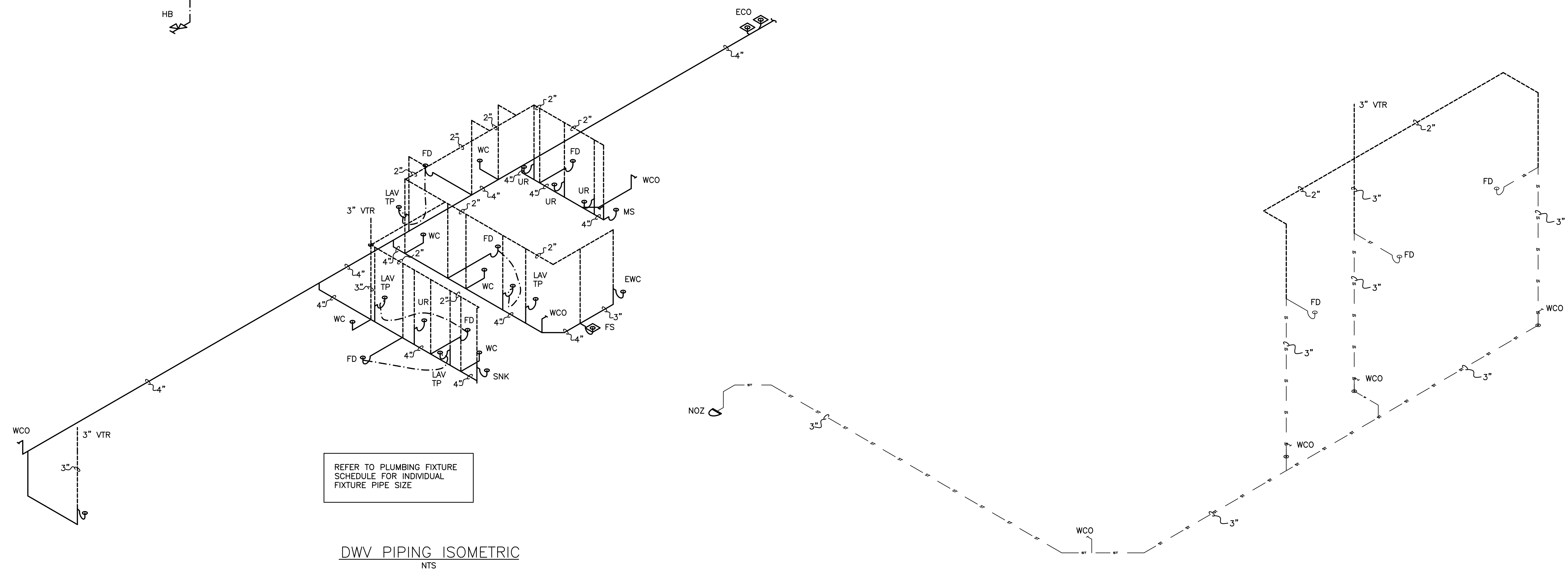


1 DOCK PLUMBING PLAN
1/8" = 1'-0"



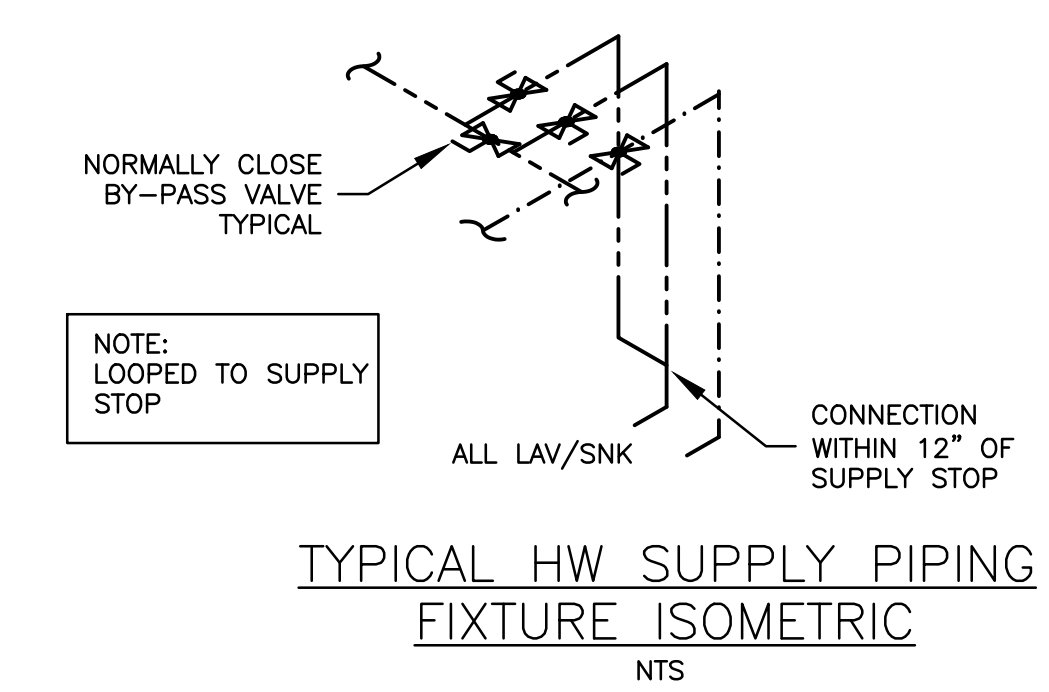


CW & HW PIPING ISOMETRIC
NTS

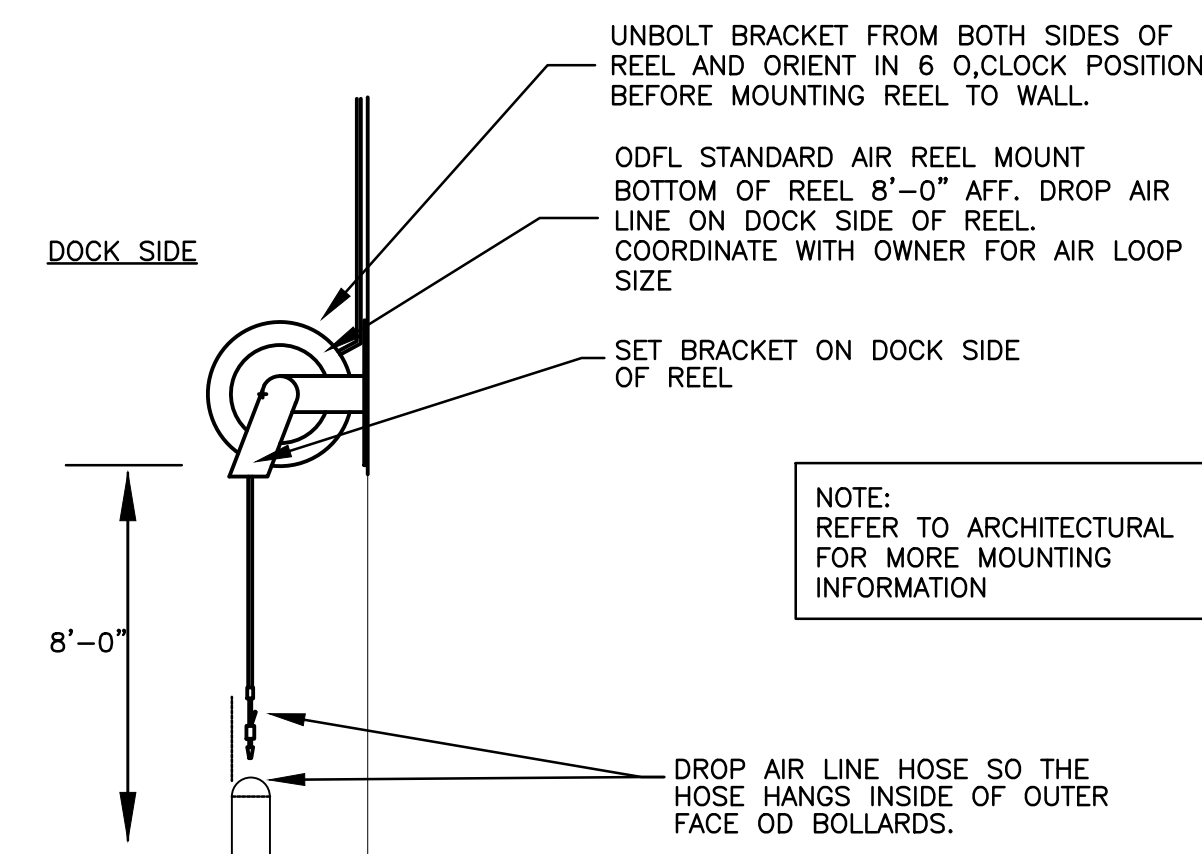


REFER TO PLUMBING FIXTURE
SCHEDULE FOR INDIVIDUAL
FIXTURE PIPE SIZE

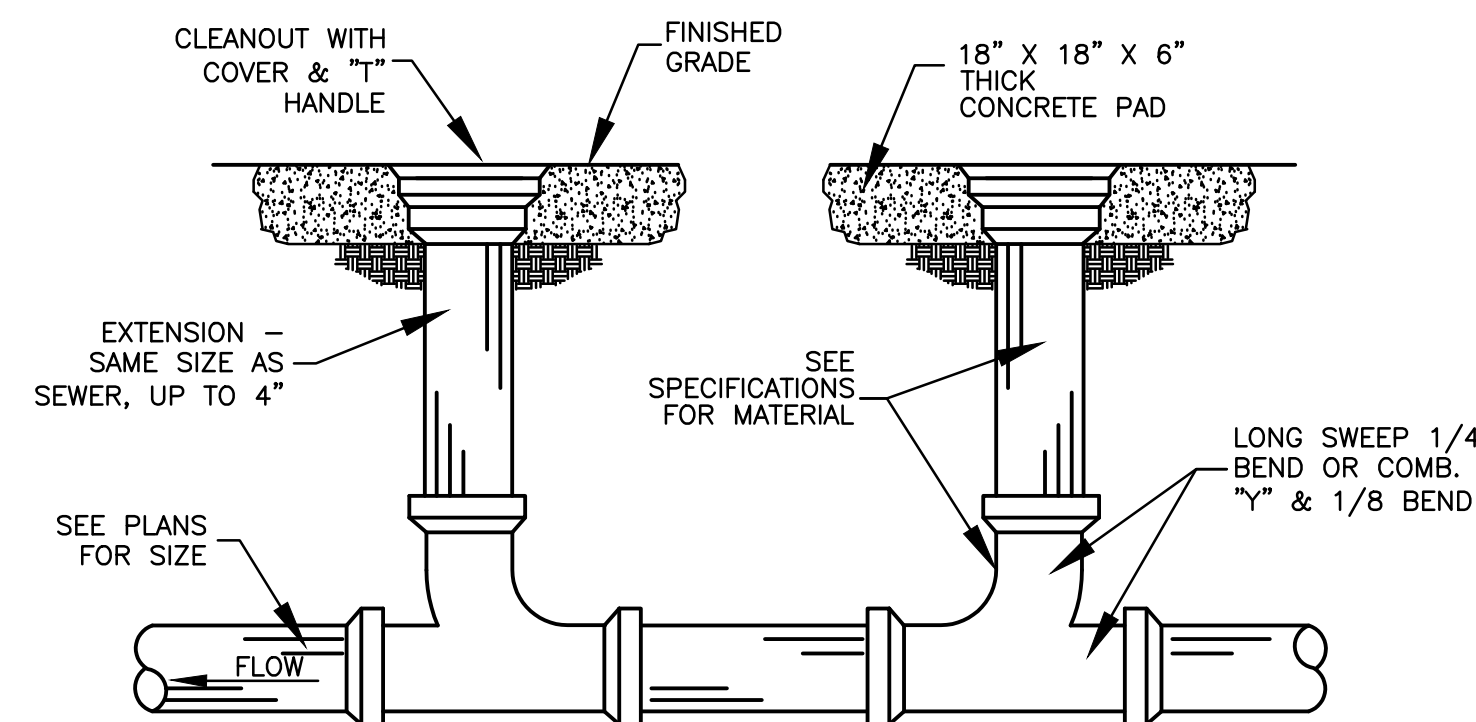
DWV PIPING ISOMETRIC
NTS



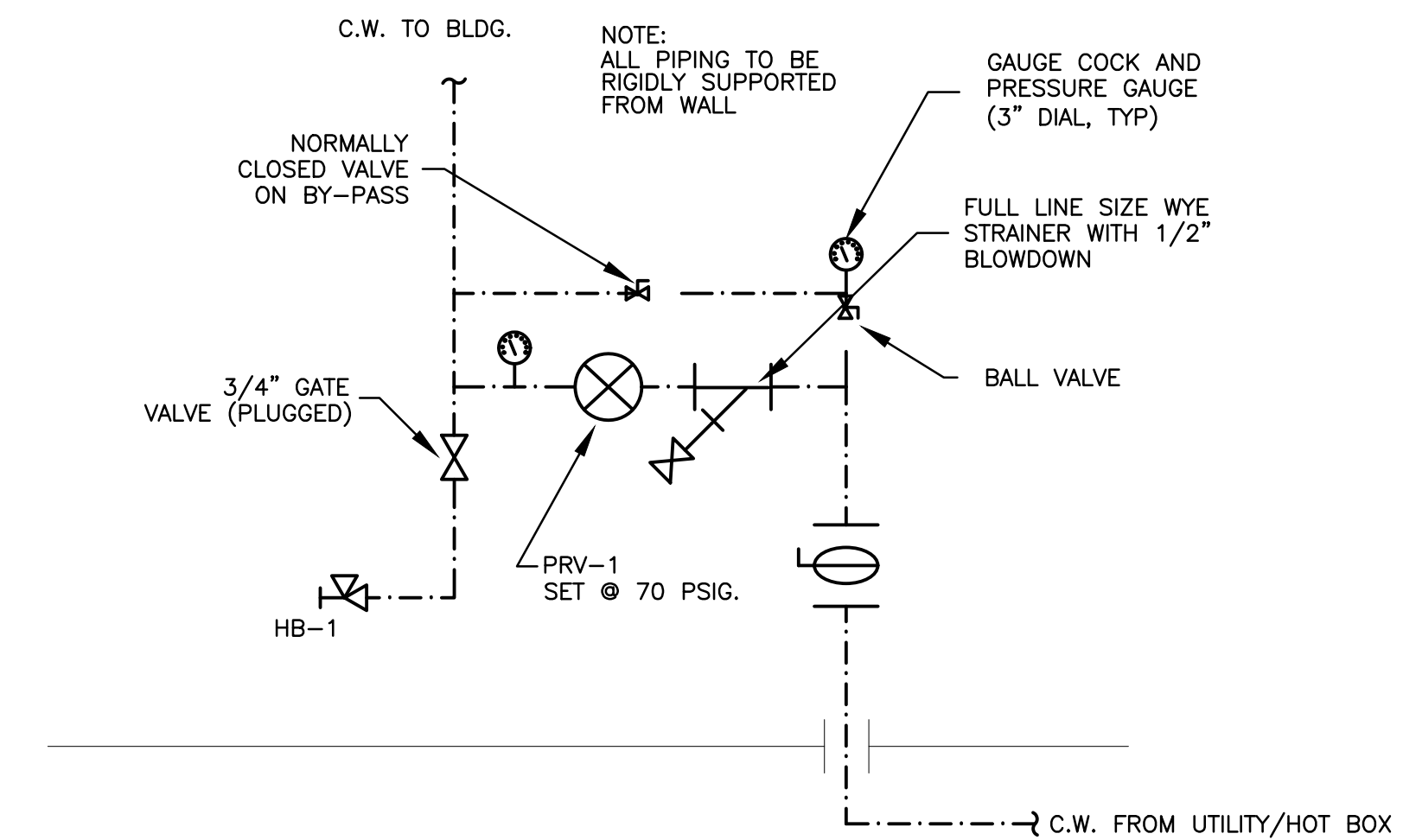
TYPICAL HW SUPPLY PIPING
FIXTURE ISOMETRIC
NTS



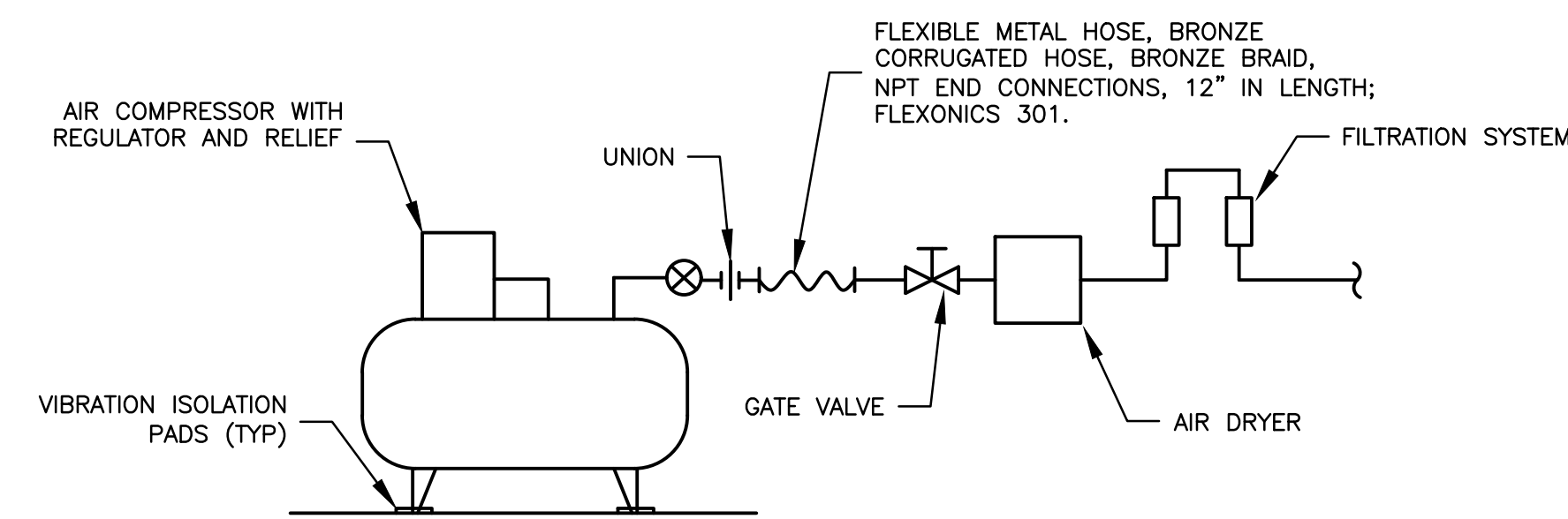
TYPICAL AIR DROP DETAIL
NTS



EXTERIOR CLEANOUT DETAIL
NTS

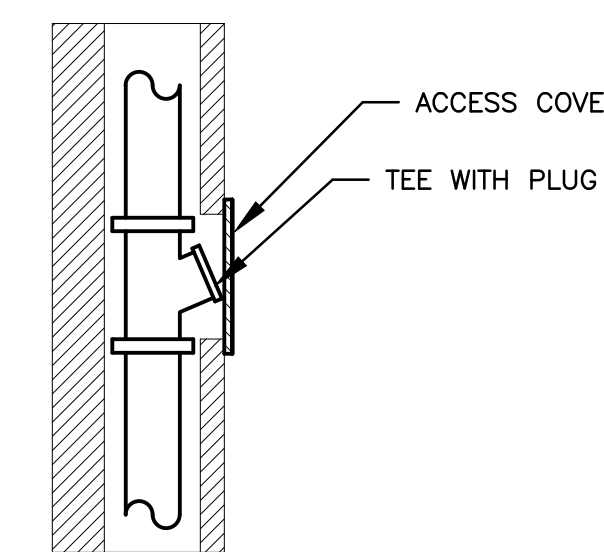


DOMESTIC WATER ENTRANCE DETAIL
NTS

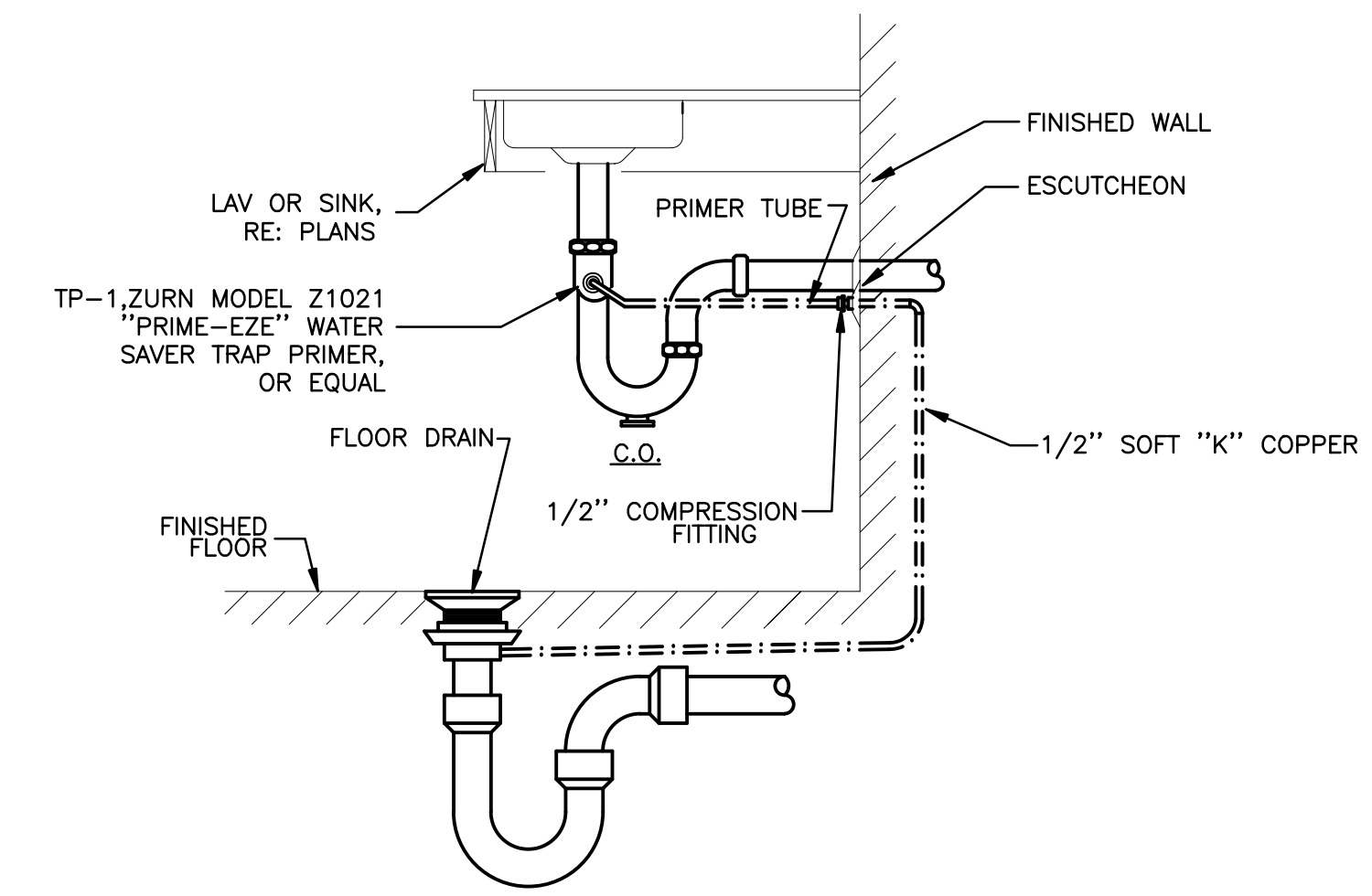


NOTE: PROVIDE ALL NECESSARY SUPPORTS AND MATERIALS TO INSTALL COMPRESSED AIR SYSTEM COMPONENTS.

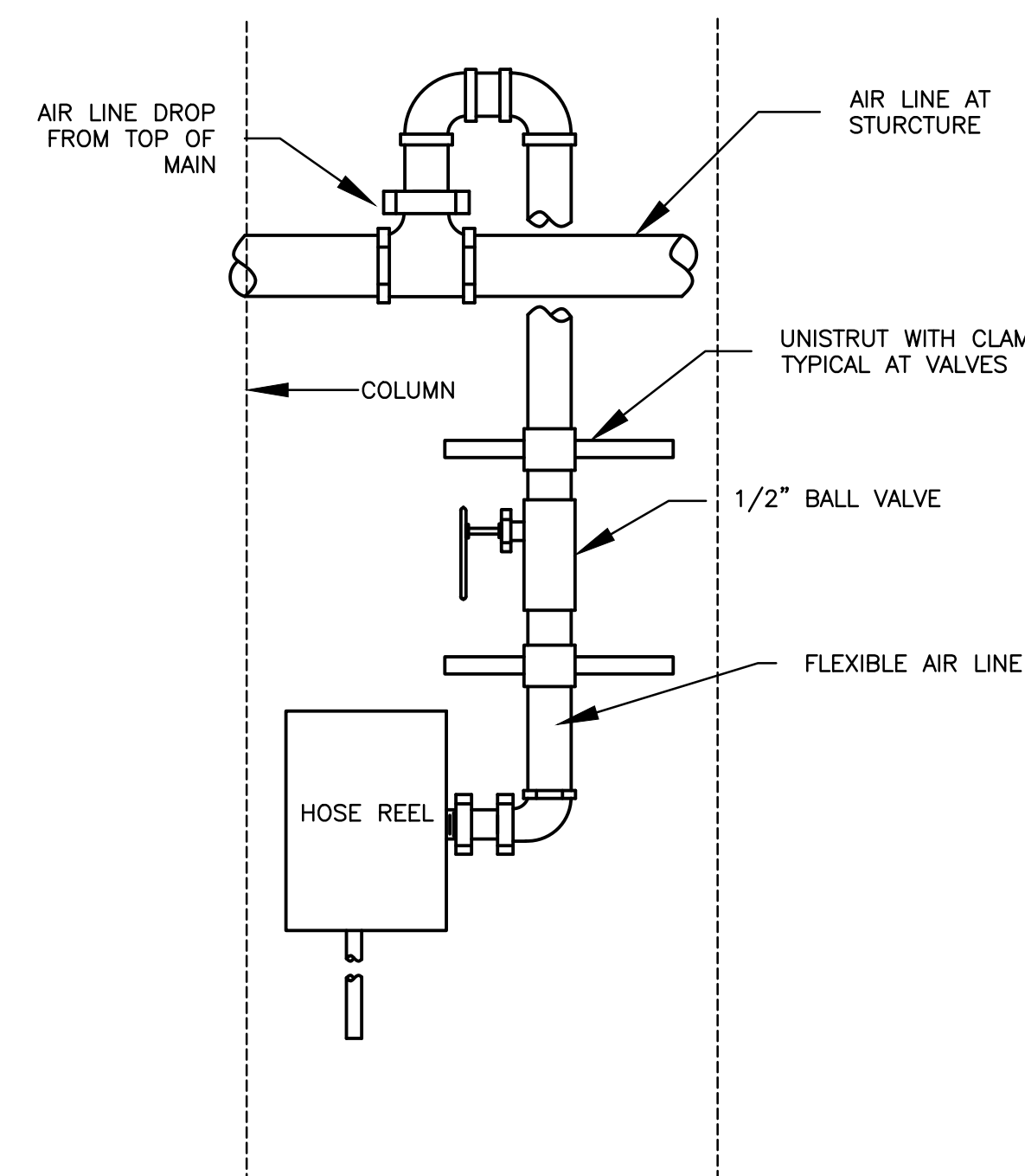
AIR COMPRESSOR DETAIL
NTS



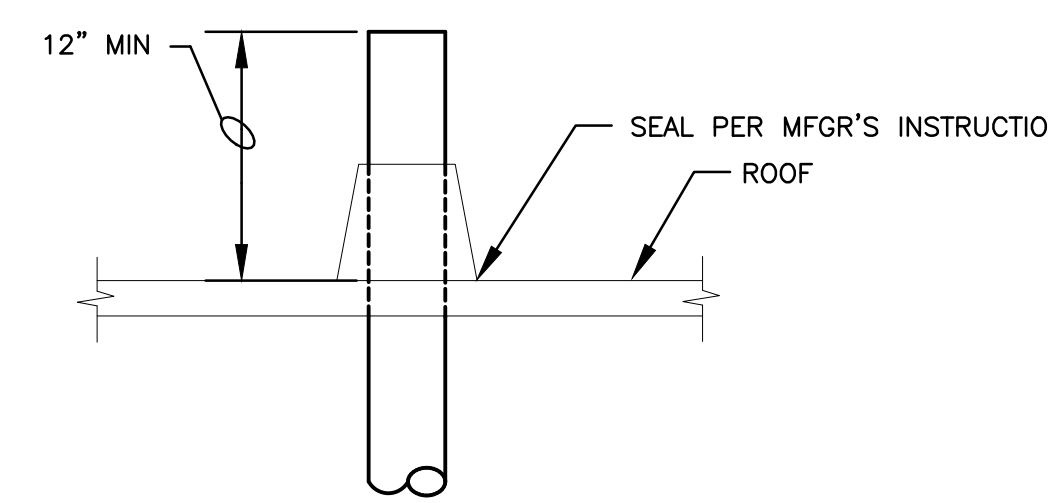
TYPICAL WALL CLEANOUT DETAIL
NTS



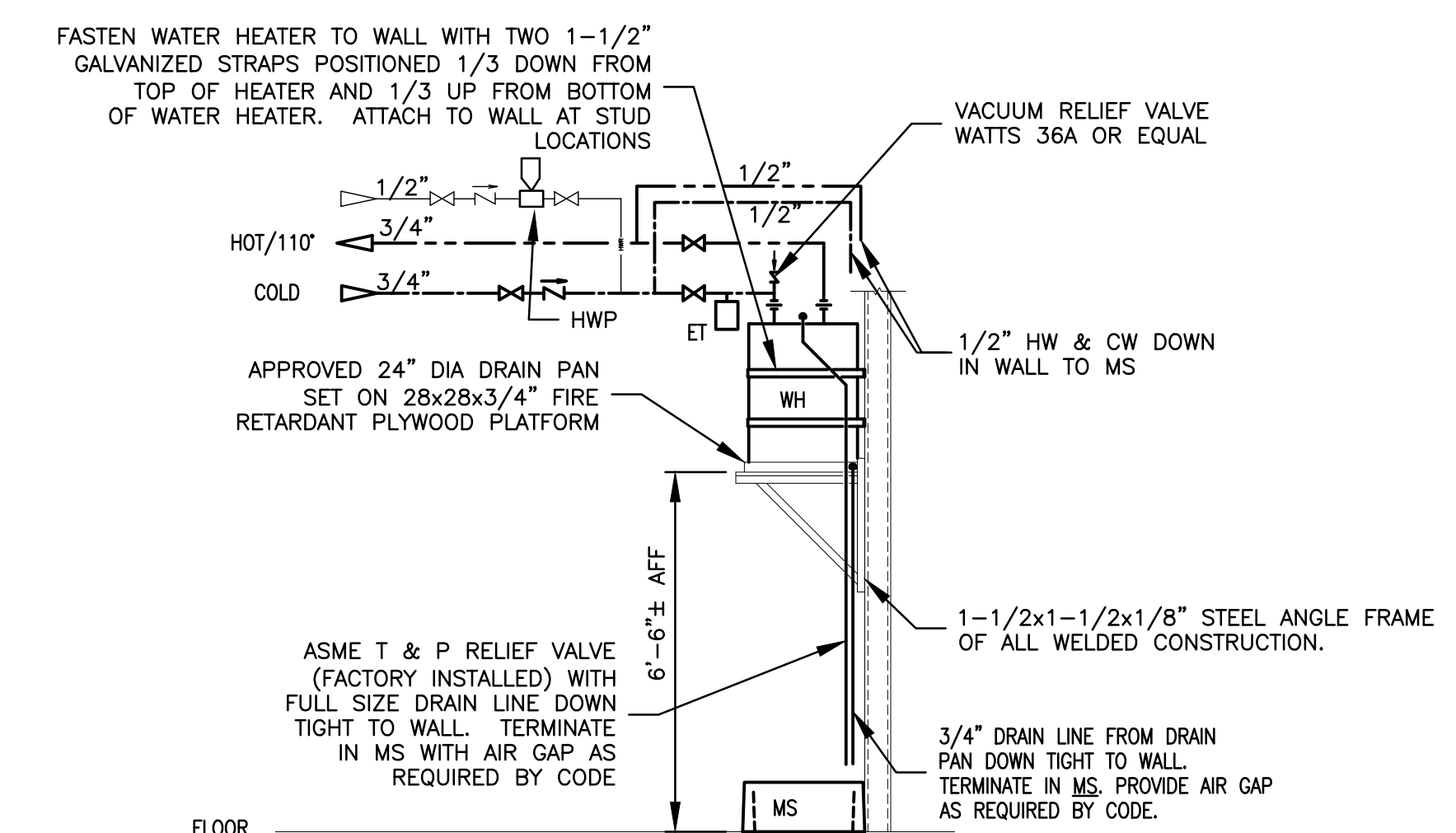
FLOOR DRAIN/TRAP PRIMER DETAIL
NTS



TYPICAL AIR DROP DETAIL
NTS



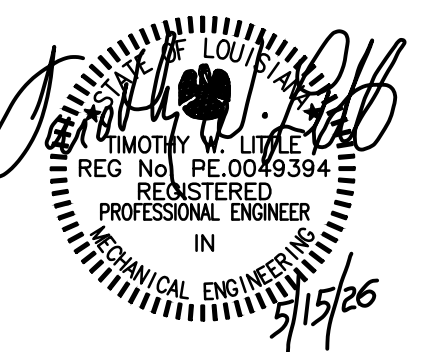
VENT THROUGH ROOF DETAIL
NTS



WATER HEATER DETAIL
NTS



MOLLENKOPF DESIGN GROUP, LLC
 49 Music Square W-Suite 600
 Nashville, Tennessee 37203
 615.296.9146
 www.theMDGInc.com



Contractor for:
SCHWOB
 BUILDING COMPANY
 1350 LAKESHORE DRIVE
 SUITE 160
 COPPELL, TX 76006



A New Service Center for:
OLD DOMINION FREIGHT LINE
BATON ROUGE, LA
 8601 TOM DRIVE
 BATON ROUGE, LA 70815

PERMIT ISSUE 05.15.2026

Project No. 25074.00

The Architect hereby reserves its common law copyright and other property rights in these plans, ideas and designs which are not to be reproduced, changed or copied in any form or manner whatsoever, nor are they to be assigned to any third party without first obtaining the express written permission from the Architect. The drawing is not final or to be used for construction until signed by the Architect.

Sheet Name:
 PLUMBING SCHEDULE,
 LEGEND, NOTES

Sheet Number:

P4.1

PLUMBING NOTES

- THESE DRAWINGS HAVE BEEN DEVELOPED FROM THE BEST AVAILABLE INFORMATION. CONTRACTOR SHALL FIELD VERIFY ALL FIELD CONDITIONS, DIMENSIONS, CLEARANCES, LOCATION OF EXISTING UTILITIES, ETC. PRIOR TO BIDDING, FABRICATION, OR INSTALLATION. DO NOT SCALE FROM THESE DRAWINGS. COORDINATE ALL STUB-UPS AND CONNECTIONS WITH MANUFACTURER INSTALLATION DATA.
- COORDINATE PLUMBING INSTALLATION AMONG TRADES TO AVOID INTERFERENCES.
- PIPING AND FITTINGS SHALL BE AS FOLLOWS:
 POTABLE WATER PIPING UNDERGROUND AND BURIED BELOW SLAB SHALL BE TYPE K HARD DRAWN COPPER TUBING PER ASTM B88 WITH WROUGHT COPPER OR CAST BRASS FITTINGS AND LEAD-FREE TIN-SILVER SOLDER CONFORMING WITH ASTM STANDARD B32.
 POTABLE WATER PIPING ABOVE GRADE SHALL BE SCHEDULE TYPE 'L' COPPER WITH LEAD FREE TIN-SILVER SOLDER AND SWEAT FITTINGS CONFORMING WITH ASTM STANDARD B32.
 SANITARY DRAIN, WASTE, AND VENT PIPING BURIED BELOW AND UNDER SLAB SHALL BE SCHEDULE 40 PVC WITH SOLVENT WELD FITTINGS. ABOVE GRADE PIPING SHALL BE SCHEDULE 40 PVC WITH SOLVENT WELD FITTINGS.
 NATURAL GAS PIPING ABOVE GRADE SHALL BE SCHEDULE 40, BLACK CARBON STEEL PER ASTM A53; CLASS 150 THREADED MALLEABLE IRON FITTINGS UP TO 2 INCHES; WELDED FITTINGS FOR 2-1/2 INCHES AND LARGER PER LOCAL GAS CODE REQUIREMENTS.
- ALL FIXTURES SHALL BE EQUIPPED WITH SUPPLY STOPS.
- PROVIDE CARRIERS/HANGERS FOR ALL WALL HUNG FIXTURES.
- INSULATE ABOVE SLAB POTABLE WATER (COLD, HOT, AND HOT WATER RE-CIRCULATING) PIPING WITH 1 INCH FIBERGLASS AND GENERAL SERVICE JACKET. INSULATE UNDERSLAB POTABLE WATER PIPING WITH 1/2 INCH CELLULAR FOAM INSULATION, ARMAFLEX OR EQUAL.
- PITCH HORIZONTAL PIPING TO DRAIN AS FOLLOWS:
 UP TO 3 INCH-1/4 INCH PER FOOT OF RUN
 OVER 3 INCH-1/8 INCH PER FOOT OF RUN
- ALL PIPING/PLUMBING SHALL BE INSTALLED PER LOCAL PLUMBING CODES.
- SUPPORT HORIZONTAL PIPING FROM STRUCTURE WITHIN 1 FOOT OF ELBOWS AND AT THE MAXIMUM INTERVALS SPECIFIED BELOW:

NOMINAL PIPE SIZE	DISTANCE BETWEEN SUPPORTS
1/2 TO 1-1/4 INCH	6'-0"
1-1/2 TO 2-1/2 INCH	10'-0"
3 TO 4 INCH	12'-0"

 PVC
 4'-0"
 SUPPORT VERTICAL PIPING WITH RISER CLAMPS WITHIN 1 FOOT OF ELBOWS AND BENDS.
- USE DIELECTRIC UNIONS (EPCO OR EQUAL) TO MAKE STEEL TO COPPER PIPING AND EQUIPMENT CONNECTIONS.
- PROVIDE CHROMED ESCUTCHEON PLATES WHERE PIPING PENETRATES FINISHED WALLS OR CEILING.
- ALL DRAINAGE CONNECTIONS SHALL BE TRAPPED UNLESS NOTED OTHERWISE ON DRAWINGS.
- ALL ROOF PENETRATIONS FOR PLUMBING PIPING SHALL BE MADE IN ACCORDANCE WITH ROOF SYSTEM MANUFACTURER GUIDELINES. COORDINATE WITH ARCHITECTURAL.
- ALL VENTS THRU ROOF SHALL EXTEND A MINIMUM OF 12 INCHES ABOVE ROOF AND BE MAINTAINED A MINIMUM OF 10 FEET FROM ALL OUTSIDE AIR INTAKES.
- HORIZONTAL VENT PIPING SHALL BE SLOPED TOWARD SEWER 1/8 INCH PER FOOT OF RUN.
- ALL SANITARY BRANCHES TO MAIN CONNECTIONS SHALL BE MADE WITH 45 DEGREE WYE OR WYE AND 1/8 BEND FITTINGS.
- CLEAN NEW PIPING AS FOLLOWS PER LOCAL CODE AND THE REQUIREMENTS OF THE LOCAL UTILITY:
 FLUSH NEW POTABLE WATER PIPING WITH A 100 PPM CHLORINE SOLUTION. ALLOW TO STAND IN PIPES FOR TWO HOURS. THEN FLUSH WITH POTABLE WATER BEFORE PLACING IN SERVICE.
 FLUSH ALL OTHER PIPING WITH POTABLE WATER TO REMOVE DIRT AND DEBRIS.
- TEST NEW LINES HYDROSTATICALLY AT THE PRESSURES LISTED BELOW; REPAIR LEAKS AND RETEST UNTIL THE PRESSURE HOLDS FOR ONE HOUR.
 POTABLE WATER-150 PSIG
 DRAIN-5 PSIG
- SHOCK ARRESTORS FOR BRANCH PIPING TO FIXTURES WITH QUICK CLOSING VALVES SHALL BE P.P.P. INC., ZURN, OR EQUAL.
- NEW BALL VALVES SHALL BE BRONZE 2-PIECE BODY, FULL PORT TYPE, THREADED CONNECTIONS, WILKINS, APOLLO, OR APPROVED EQUAL.
- SEE ARCHITECTURAL FOR MOUNTING HEIGHTS OF FIXTURES.
- ALL PIPING PENETRATIONS THROUGH NON-RATED CONSTRUCTION SHALL BE SLEEVED. SEAL PENETRATIONS THROUGH EXTERIOR WALL WEATHERIGHT WITH SILICONE SEALANT. PROVIDE ESCUTCHEONS AT EXPOSED INTERIOR LOCATIONS. ALL PIPING PENETRATIONS THROUGH RATED CONSTRUCTION SHALL BE SEALED PER DETAIL. SEE ARCHITECTURAL FOR LOCATIONS OF RATED CONSTRUCTION.
- VENT, HW, AND CW PIPING SHALL BE ROUTED UNDERSLAB, ABOVE CEILING, AND INSIDE WALLS ON HEATED SIDE OF INSULATION TO FIXTURES.
- PRIME AND PAINT ALL EXPOSED PIPING. COLOR PER ARCHITECTURAL.
- INDIVIDUAL CONNECTIONS TO FIXTURES SHALL BE SIZED AS INDICATED IN SCHEDULE UNLESS NOTED OTHERWISE.
 ALL UNDERSLAB DRAIN PIPING SHALL BE 4 INCH MINIMUM, UNLESS NOTED OTHERWISE.
- CONTRACTOR SHALL LABEL ALL PIPING PER ASME A13.1 - SCHEME FOR THE IDENTIFICATION OF PIPING SYSTEMS; THE AMERICAN SOCIETY OF MECHANICAL ENGINEERS.
- INSTALL, INSPECT, TEST, AND PURGE NATURAL GAS PIPING PER NFPA 54, LOCAL GAS CODE, AND THE REQUIREMENTS OF THE LOCAL UTILITY.
- PRIME, PAINT AND LABEL NATURAL GAS PIPING LOCATED OUTDOORS, AND WHERE EXPOSED INDOORS IN FINISHED LOCATIONS. FINISH PAINT COLOR PER ARCHITECTURAL.
- CONTRACTOR SHALL PROVIDE VIDEO DOCUMENTATION OF THE COMPLETE UNDERSLAB ROUGH IN FROM 6 INCHES ABOVE SLAB TO EXTERIOR CLEANOUT INCLUDING ALL STUB-UPS, MAINS, BRANCHES, ETC. VIDEO SHALL BE PERFORMED JUST PRIOR TO SLAB POURING AT A DATE TO BE CONFIRMED BY THE GC. DOCUMENTATION TO BE PROVIDED TO THE GC UPON COMPLETION, PRIOR TO SLAB POUR TO INCLUDE DRAWING/MAP FOR THE SEQUENCES OF THE ASSOCIATED VIDEOS IN ADDITION TO THE CAMERA FOOTAGE ALONG WITH NOTATIONS OF ANY ABNORMALITIES, THEIR LOCATIONS, AND DETAILS OF THE OCCURRENCE, WHERE REQUIRED, CONTRACTOR SHALL PROVIDE REPAIRS FOR SUCH ABNORMALITIES AS DIRECTED BY THE GC ACCORDINGLY. WHERE MULTIPLE POURS AND CONSTRUCTION SEQUENCES ARE INVOLVED, CONTRACTOR SHALL PROVIDE FOR EACH SEQUENCE AS COORDINATED WITH THE GC CONSTRUCTION SCHEDULE AS REQUIRED.

PLUMBING FIXTURE SCHEDULE

(NOTE: ALL FIXTURES SHALL BE LEAD COMPLIANT PER CURRENT REGULATIONS)

MARK	ITEM	HW	CW	WASTE	VENT	SUPPLY STOP	ELECT. VRRHZ	ELECT. MCAMQCP	DESCRIPTION
BEV	BEVERAGE MACHINE	-	1/2"	-	-	CW	-	-	EQUIPMENT (COFFEE/BEVERAGE MACHINE) IS OWNER PROVIDED. PLUMBING CONTRACTOR TO PROVIDE ROUGH-IN PLUMBING INCLUDING SHUT-OFF VALVE FROM COLD WATER FROM SINK. PROVIDE BACKFLOW PREVENTER IN SUPPLY. WILKINS 740. ROUTE THROUGH COUNTER WITH GROMMET.
ECO	EXTERIOR CLEANOUT	-	-	LINE SIZE	-	-	-	-	ROUND POLISHED HEAVY DUTY BRONZE VANDAL PROOF TOP. ZURN MODEL ZN-1400-HD-VP (TWO WAY, 2 REQ'D), SEE DETAIL.
ET-1	EXPANSION TANK	-	-	-	-	-	-	-	DOMESTIC WATER USAGE, VERTICAL STEEL TANK, HEAVY DUTY BUTYL BLEND DIAPHRAM, POLYPROPYLENE LINED DOME, 2.0 GALLON CAPACITY; WILKINS WXTF-8.
EW-C-1	ELECTRIC WATER COOLER (HYDRATION STATION)	-	1/2"	1-1/2"	1-1/2"	CW	115/1/60	20A	TWIN UNIT, ONE WHEEL CHAIR ACCESSIBLE, BOTTLE FILLER STATION, FRONT PUSHBARS, SURFACE MOUNT, STAINLESS STEEL, TOP, ARI 1010 CERTIFIED, 8 GPH, 5 YR. REFRIGERATION SYSTEM WARRANTY, LEAD FREE, 120 VAC, ELKAY LZSTLGBWSLK (OR OASIS PGFBEBFLS WITH GREYSTONE FINISH), PROVIDE CARRIER/HANGER. PROVIDE WITH CANE SKIRT MODEL LKAPREZL.
FD-1	FLOOR DRAIN	-	-	LINE SIZE	2"	-	-	-	CAST IRON BODY, 6" ROUND POLISHED ADJUSTABLE STAINLESS STEEL STRAINER, VANDAL PROOF SCREWS, 4 INCH DEEP SEAL TRAP, ZURN ZS-415-S21-VP. PROVIDE WITH TRAP GUARD FOR SEAL PROTECTION WHERE ALLOWED BY LOCAL CODES. OTHERWISE, PROVIDE WITH TRAP PRIMER CONNECTION AND PRIMER PER BELOW.
FD-2	FLOOR DRAIN	-	-	LINE SIZE	2"	-	-	-	CAST IRON BODY, 6" ROUND POLISHED STAINLESS STEEL STRAINER, 4" DEEP SEAL TRAP, ZURN ZS-415-6B. PROVIDE WITH TRAP GUARD FOR SEAL PROTECTION WHERE ALLOWED BY LOCAL CODES, OTHERWISE, PROVIDE WITH TRAP PRIMER CONNECTION AND PRIMER PER BELOW.
FD-3	FLOOR DRAIN	-	-	LINE SIZE	2"	-	-	-	CAST IRON BODY, 9" ROUND DUCTILE IRON STRAINER, MEDIUM DUTY SLOTTED GRATE, 4 INCH DEEP SEAL TRAP, ZURN Z-550. PROVIDE WITH TRAP GUARD.
FS-1	FLOOR SINK	-	-	LINE SIZE	2"	-	-	-	CAST IRON BODY, 12-1/2" SQUARE TOP, 8" DEEP, BUCKET STRAINER, 1/2" GRID POLISHED STAINLESS STEEL GRATE, VANDAL PROOF SCREWS, 4 INCH DEEP SEAL TRAP, ZURN Z-1751-K-Y.
HB-1	HOSE BIBB (FROST PROOF)	-	3/4"	-	-	-	-	-	AUTOMATIC DRAINING, 3/4" FPT, BRASS CONSTRUCTION, LOOSE KEY HANDLE, CONFORMING TO A.S.S.E. 1019. VACUUM BREAKER-BACKFLOW PREVENTER CONFORMING TO A.S.S.E. 1011, 3/4" HOSE THREAD NOZZEL. ZURN Z-121.
HWP-1	HOT WATER PUMP	LINE SIZE	-	-	-	-	115/1/60	1/12 HP	FLANGED INLET AND OUTLET, BRONZE BODY, BRASS IMPELLER, 145 PSIG MAXIMUM, 225 DEGREE FAHRENHEIT MAXIMUM, 115 VAC, 1/12 HP, 10 GPM @20 FEET HEAD, GRUNDFOS UP26-90-SFC, STAINLESS STEEL, STAINLESS STEEL FLANGE CONNECTION, IN-LINE, SUITABLE FOR DOMESTIC WATER.
ICE	ICE MACHINE	-	1/2"	-	-	CW	-	-	EQUIPMENT (ICE MACHINE) IS OWNER PROVIDED. PLUMBING CONTRACTOR TO PROVIDE ROUGH-IN PLUMBING INCLUDING SHUT-OFF VALVE IN VALVE BOX RECESSED IN WALL AND DRAIN TO FLOOR SINK WITH TURN DOWN AND REQUIRED AIR GAP. BOX SHALL BE PRO-SET FIRE RATED SERIES WITH BALL VALVE. PROVIDE BACKFLOW PREVENTER IN SUPPLY. WILKINS 740. CONFIGURE BOX FOR SUPPLY DIRECT FROM MAIN.
LAV-1	LAVATORY (HANDICAP)	1/2"	1/2"	1-1/2"	1-1/2"	HW & CW	-	-	UNDERMOUNT, VITREOUS CHINA, 19X16" BOWL, SINGLE HOLE, ZURN ZS220 000.2.07.12.5 WITH SUPPLY STOPS, TRAP, DRAIN, AND ADA PIPING PROTECTION. FAUCET, SINGLE HANDLE CHROME PLATED BRASS, 5-3/8" SPOUT, 1.0 GPM, GRID DRAIN; SYMONS "DIA" SLS-3510-1.5. PROVIDE WITH MIXING VALVE (MV-1) SET LEAVING TEMPERATURE 110°F.
LAV-2	LAVATORY (HANDICAP)	1/2"	1/2"	1-1/2"	1-1/2"	HW & CW	-	-	ADA COMPLIANT, WALL MOUNT, 1-STATION, TYPE 304 STAINLESS STEEL, 14-GAUGE, BRUSHED POLISH FINISH, 24 X 20 6" DEEP OVERALL, 2" STAINLESS STEEL GRID DRAIN, CUSTOM LOW PROFILE BACKSPLASH (39 INCH MAX AFF), BEST SHEET METAL ADA-210S242005B-80C WITH SPLASH MOUNT MANUAL BLADE FAUCETS WITH GOOSENECK SPOUTS, CHROME PLATED, WITH AERATOR AND 8" O.C. MOUNTING, ZURN ZB42B4-XL. PROVIDE WITH ADA PIPE PROTECTION (COLOR BLACK), PROVIDE WITH MIXING VALVE (MV-1) SET LEAVING TEMPERATURE 110°F.
LAV-3	LAVATORY (HANDICAP)	1/2"	1/2"	1-1/2"	1-1/2"	HW & CW	-	-	ADA COMPLIANT, WALL MOUNT, 1-STATION, TYPE 304 STAINLESS STEEL, 14-GAUGE, BRUSHED POLISH FINISH, 40 X 20 6" DEEP OVERALL, 2" STAINLESS STEEL GRID DRAIN, CUSTOM LOW PROFILE BACKSPLASH (39 INCH MAX AFF), BEST SHEET METAL ADA-01S402005HP WITH SPLASH MOUNT MANUAL BLADE FAUCETS WITH GOOSENECK SPOUTS, CHROME PLATED, WITH AERATOR AND 8" O.C. MOUNTING, ZURN ZB42B4-XL. PROVIDE WITH ADA PIPE PROTECTION (COLOR BLACK), PROVIDE WITH MIXING VALVE (MV-1) SET LEAVING TEMPERATURE 110°F.
MS-1	MOP SINK	1/2"	1/2"	3"	2"	-	-	-	HIGH DENSITY COMPOSITE BASIN, 3-PIECE, 24X24X10", 1" CURB WITH STAINLESS STEEL BUMPER GUARD ON ALL SIDES, INTEGRAL DRAIN, STAINLESS STEEL GRID STRAINER, ZURN Z1996-24-85-HH-HF WITH HOSE AND HOSE HANGER, MOP HANGER AND SERVICE FAUCET. FAUCET TO BE SERVICE TYPE, WITH VACUUM BREAKER, WALL BRACE, 8" SPOUT, BUCKET HOOK, 3/4" HOSE THREAD. PROVIDE WITH STAINLESS STEEL BACKSPLASH ON ALL ADJOINING WALLS. CONTRACTOR SHALL COORDINATE INSTALLATION WITH HRP INSTALLATION TO LAP OVER THE EDGES TO SEAL TO EDGES AS REQUIRED.
MV-1	MIXING VALVE	3/4"	3/4"	-	-	-	-	-	BRASS BODY THERMOSTATIC MIXING VALVE, 0.5 GPM MINIMUM FLOW, INTEGRAL CHECKTOPS, SS STRAINER, WALL SUPPORT, COLOR CODED DIAL WITH HANDLE AND DIRECTIONAL INDICATORS, ADJUSTABLE HIGH TEMPERATURE LIMIT STOP, ASSE 1070 COMPLIANT; SYMONS 7-210-CO.
NOZ	DOWNSPOUT NOZZLE	-	-	LINE SIZE	-	-	-	-	NICKEL, BRONZE BODY, THREADED INLET WITH DECORATIVE FACE WALL FLANGE AND OUTLET NOZZLE; ZURN ZANB-199.
PRV-1	PRESSURE REDUCING VALVE	-	LINE SIZE	-	-	-	-	-	DOMESTIC WATER SUITABLE, BRONZE BODY, RENEWABLE STAINLESS STEEL SEAT, BUNA N DIAPHRAM, THERMAL BY-PASS, MEETS A.S.S.E. 1003 & LOCAL PLUMBING CODE; WILKINS 600 SERIES. SET TO 70 PSIG.
SNK-1	SINK (HANDICAP)	1/2"	1/2"	1-1/2"	1-1/2"	HW & CW	-	-	ADA COMPLIANT, SINGLE COMPARTMENT, COUNTER SET, 22X19X6.5" DEEP, 18 GA STAINLESS STEEL, SELF RIMMING, 3-HOLE, 4" CENTERS, ELKAY "LUSTERTONE" MODEL LRA221965. FAUCET, 2 HANDLE, DECK MOUNT, SWING SPOUT, WING HANDLES; ZURN Z-871-C4. DRAIN, 3-1/2" STD STRAINER, STAINLESS STEEL BASKET. PROVIDE WITH MIXING VALVE (MV-1) SET LEAVING TEMPERATURE 110°F.
TP	TRAP PRIMER	-	-	-	-	-	-	-	OVERFLOW TYPE, CHROME PLATE CAST BRONZE TRAP WITH CLEANOUT PLUG; ZURN Z-1021.
UR-1	URINAL	-	3/4"	2"	1-1/2"	-	-	-	WALL HUNG, SENSOR OPERATED AQUAVANTAGE FLUSH VALVE, WHITE VITREOUS CHINA, INTEGRAL FLUSHING RIM AND TRAP, 1.0 GAL/FLUSH FLUSH VALVE; ZURN Z5758.109.00 WITH SENSOR OPERATED VALVE, PROVIDE CARRIER/HANGER.
WC-1	WATER CLOSET	-	1"	4"	2"	-	-	-	FLOOR MOUNT, SENSOR OPERATED AQUAVANTAGE FLUSH VALVE, WHITE VITREOUS CHINA, ELONGATED BOWL, 1-1/2" TOP SPOUT, SIPHON JET, 1.6 GAL/FLUSH, ELONGATED OPEN FRON SEAT, NO LID, STAINLESS STEEL CHECK HINGES; KOHLER HIGHCLIFF K96057 (NO SUBSTITUTIONS) WITH AQUAVANTAGE BATTERY POWERED SENSOR OPERATED FLUSH VALVE; ZURN Z6000-AV-CPM-WS1.
WC-2	WATER CLOSET (HANDICAP)	-	1"	4"	2"	-	-	-	ADA COMPLIANT, FLOOR MOUNT, SENSOR OPERATED AQUAVANTAGE FLUSH VALVE, WHITE VITREOUS CHINA, ELONGATED BOWL, 1-1/2" TOP SPOUT, SIPHON JET, 1.6 GAL/FLUSH, ELONGATED OPEN FROM SEAT, NO LID, STAINLESS STEEL CHECK HINGES; KOHLER HIGHCLIFF K96057 (NO SUBSTITUTIONS) WITH AQUAVANTAGE BATTERY POWERED SENSOR OPERATED FLUSH VALVE; ZURN Z6000-AV-CPM-WS1.
WCO	WALL CLEANOUT	-	-	LINE SIZE	-	-	-	-	BRONZE PLUG, STAINLESS STEEL WALL ACCESS COVER PLATE; ZURN Z-1448 TEE WITH ACCESS PLATE.
WH-1	ELECTRIC WATER HEATER	LINE SIZE	LINE SIZE	-	-	-	208/1/60	4.5 KW	STORAGE TYPE, UL-LISTED, GLASS-LINED TANK, INSULATED PER ASHRAE 90.1B, MAGNESIUM ANODE ROD, DRAIN VALVE, ADJUSTABLE THERMOSTAT, MANUAL RESET OVERHEAT SAFETY, PROPERLY SIZED ASME TEMPERATURE AND PRESSURE RELIEF VALVE, LOCHINVAR LSA030JK, 30 GAL, 208V, 20 GPH @ 90 F RISE, 4500 W.
WHA	WATER HAMMER ARRESTOR	-	-	-	-	-	-	-	BELLOWS TYPE, 18-8 STAINLESS STEEL CONSTRUCTION, ALL-WELDED BELLOWS, PRECHARGED INERT GAS CUSHION, APPROVED PER A.S.S.E. 1010 AND P.D.I. STANDARD WH201; ZURN MODEL Z-1700.

**OWNER FURNISHED - CONTRACTOR INSTALLED
 COMPRESSED AIR SYSTEM COMPONENTS
 (CONTRACTOR TO VERIFY QUANTITY OF COMPONENTS WITH OWNER PRIOR TO RELEASE OF ORDER)**

ITEM	DESCRIPTION	VENDOR / MANUFACTURER (OWNER FURNISHED - CONTRACTOR INSTALLED)	SKU	VENDOR ITEM #
-	AIR COMPRESSOR	KAISER	-	AIRTOWER 50 (5 Hp, 21 CFM @ 125 PSIG - VERIFY VOLTAGE WITH ELECTRICAL)
-	NOZZLES	-	-	-
HR	AIR HOSE REEL	AIM SUPPLY / ACE TOOL	Z004437	Z2864
-	AIRLINE REGULATOR	AIM SUPPLY / ACE TOOL	Z001418	RZ7231-600
-	AIRLINE REGULATOR MOUNTING BRACKET	AIM SUPPLY / ACE TOOL	Z001419	104172
-	AIRLINE TEE	FASCONNECT, INC / UTTERBACK SUPPLY	Z004625	1864-10
-	AIRLINE TUBING - 5/8"	FASCONNECT, INC / UTTERBACK SUPPLY	Z004446	PFT-10B-BLK-250FT
-	BRASS BALL VALVE 1/2" NPT	FASCONNECT, INC / UTTERBACK SUPPLY	Z001416	V520P-6
-	MALE ADAPTER 5/8" TUBE X 1/2" NPT	FASCONNECT, INC / UTTERBACK SUPPLY	Z004626	1868-10
-	MALE ADAPTER 90 (FOR REELS)	FASCONNECT, INC / UTTERBACK SUPPLY	Z004647	1869-10
-	PLASTIC WIRE TIE	IMPERIAL SUPPLIES LLC	Z003202	1ECK9
-	AIRBAG NOZZLE-SUPERFLOW AIR BAG GUN	FASCONNECT, INC / UTTERBACK SUPPLY	Z000086	-
-	AIR LINE - STRAIGHT UNION CONNECTOR 5/8"	FASCONNECT, INC / UTTERBACK SUPPLY	Z004624	-
-	SPEEDAIRE SWIVEL CONNECTOR: 1/4 IN PPE SIZE, (M/NPT X F/NPT, 1/4 IN NPT INLET, 1/4 NPT OUTLET	SPEEDAIRE / GRAINGER	30E594	-

PLUMBING LEGEND

MARK/SYMBOL	DESCRIPTION
---	COLD WATER (CW)
----	HOT WATER (HW, 110° F)
-----	HOT WATER (HW, 140° F)
-----	HOT WATER RETURN(HWR)
----	DRAIN/WASTE (D)
----	VENT (V)
----	OIL WASTE (OWS)
----	GREASE INTERCEPTED WASTE (GI)
----	NATURAL GAS (NG)
----	STORM WATER (ST)
----	IRRIGATION/INDUSTRIAL WATER (IW)
----	CONDENSATE DRAIN (CD)
+	BALL VALVE
+	BUTTERFLY VALVE
+	GATE VALVE
+	GLOBE VALVE
+	PLUG VALVE
+	CHECK VALVE
+	PRESSURE REDUCING VALVE (PRV)
+	ANCHOR
+	RELIEF VALVE
+	STRAINER WITH BLOWDOWN VALVE
+	UNION
+	GAS METER
+	WATER METER
+	DROP IN PIPE
+	RISE IN PIPE
+	FLOW DIRECTION ARROW
+	CONNECT TO EXISTING
+	ABOVE FINISHED FLOOR
+	BACKFLOW PREVENTER
+	BRITISH THERMAL UNIT PER HOUR
+	DOWNSPOUT BOOT
+	DRINKING FOUNTAIN
+	EXTERIOR CLEANOUT
+	ELECTRICAL
+	ELECTRIC WATER COOLER
+	FLOOR CLEANOUT
+	FLOOR DRAIN
+	FLOOR SINK
+	GALLONS PER HOUR
+	HOSE BIBB
+	WATER HYDRANT
+	ICE MACHINE
+	LBV
+	BRITISH THERMAL UNIT PER HOUR X 1000
+	MECHANICAL
+	NOT IN CONTRACT
+	PUMP
+	REFRIGERATOR
+	SINK
+	SANITARY SEWER
+	TRAP PRIMER
+	URINAL
+	VACUUM BREAKER
+	VENT THRU ROOF
+	WATER CLOSET
+	WALL CLEANOUT
+	WATER COLUMN
+	WATER HEATER
+	WATER HAMMER ARRESTOR

NOTE:
 ALL OF THE SYMBOLS AND ABBREVIATIONS INCLUDED ON THIS SHEET MAY OR MAY NOT BE USED IN THIS SET OF DRAWINGS.