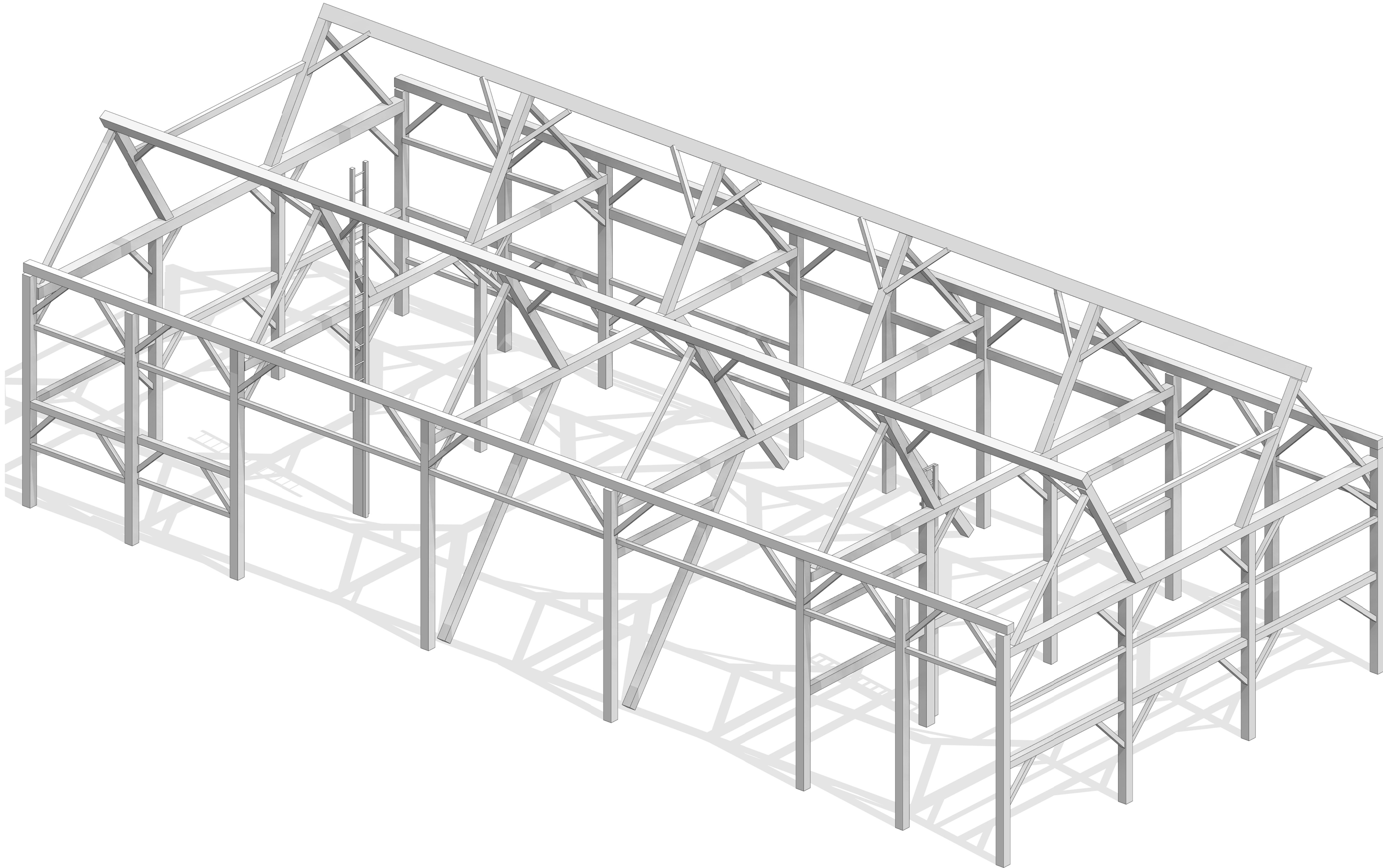


PROJECT: PERDUE BARN  
SCOPE: AS BUILT DRAWINGS



# PERDUE BARN

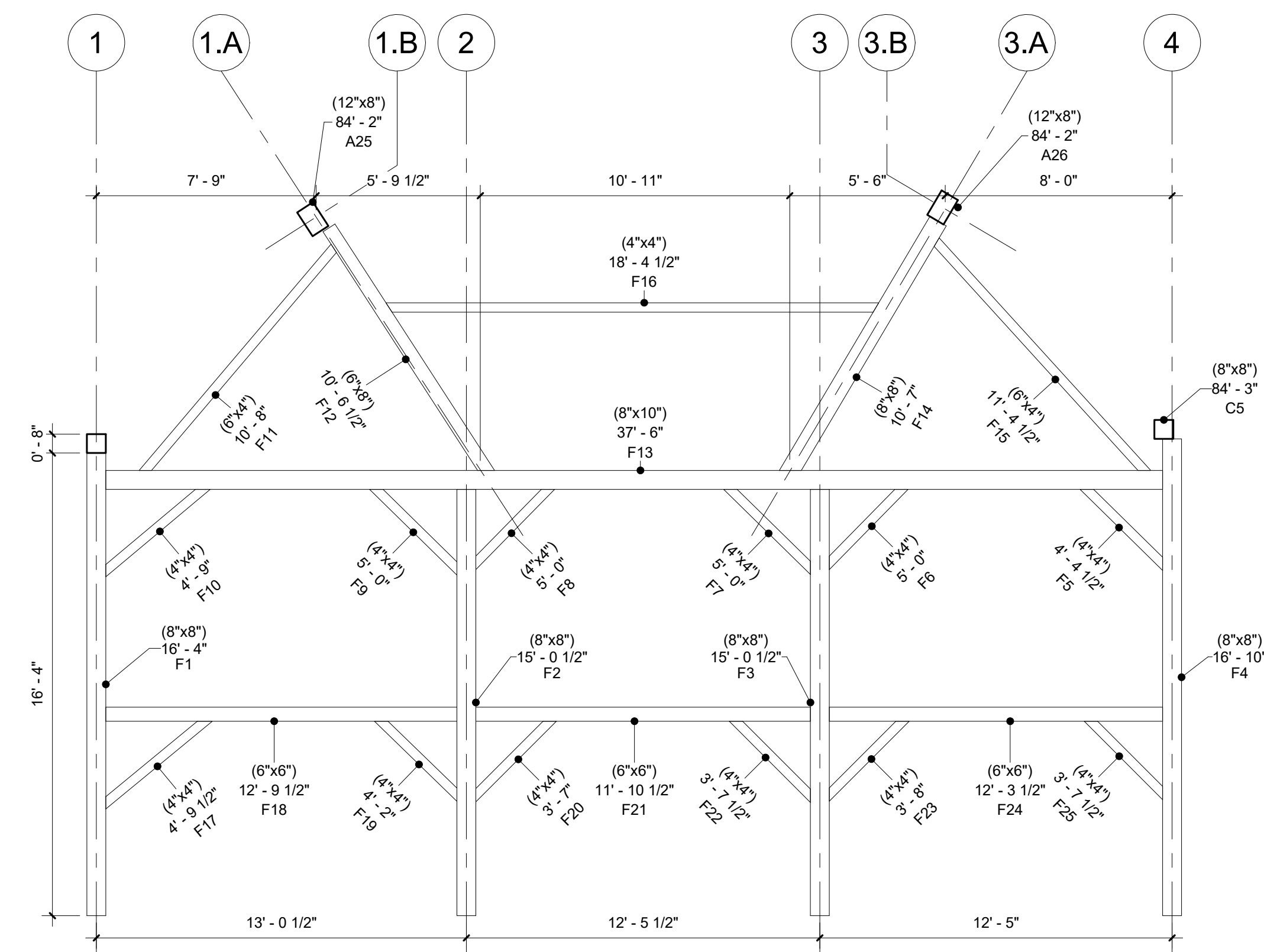
Cover Page

Project Number	Project 3
Date	20240804
Drawn By	
Checked By	

## A101

Scale





# PERDUE BARN

## Bent F

Project Number Project 3

Date 20240804

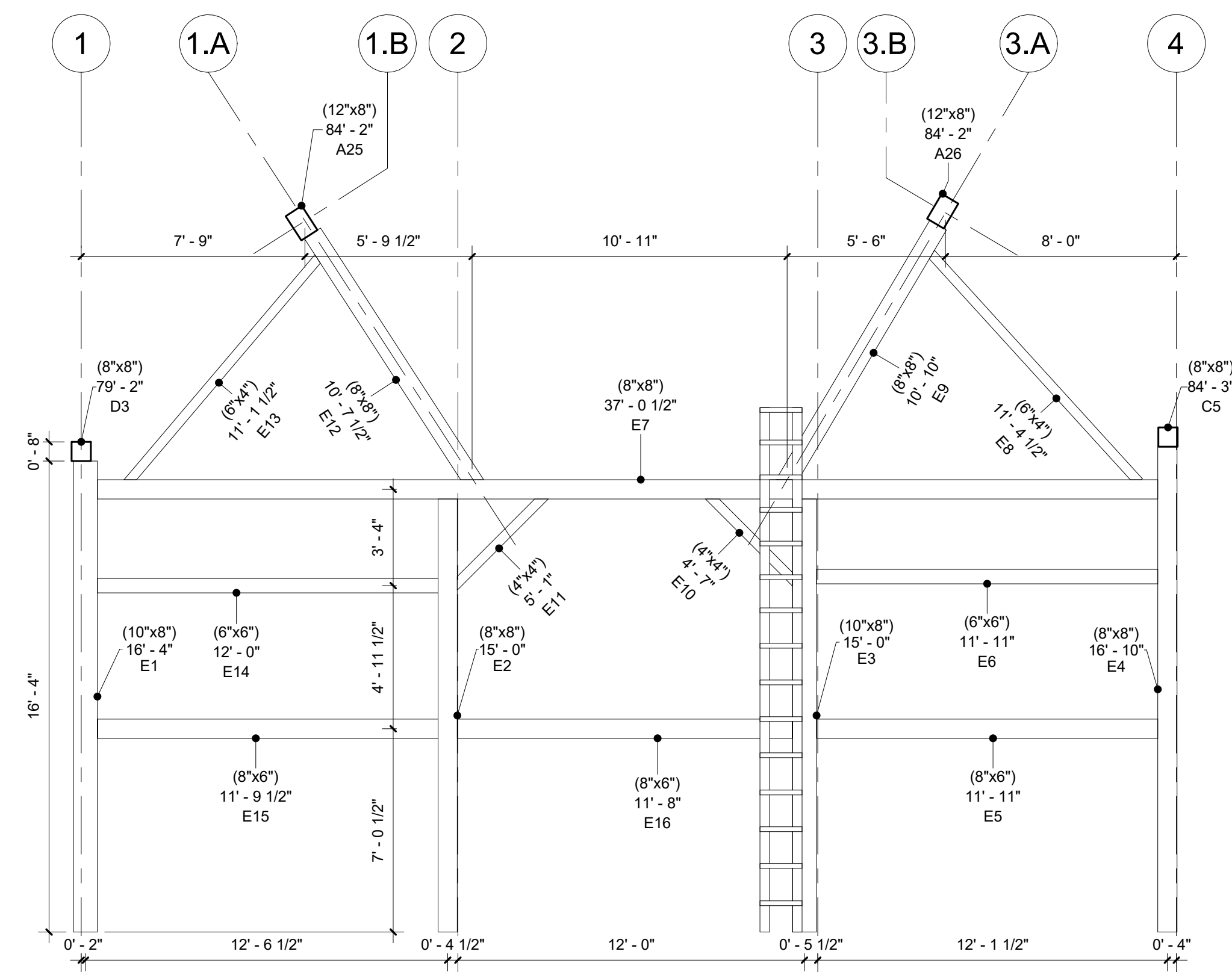
Drawn By

Checked By

# A103

Scale 1/4" = 1'-0"

# PERDUE BARN



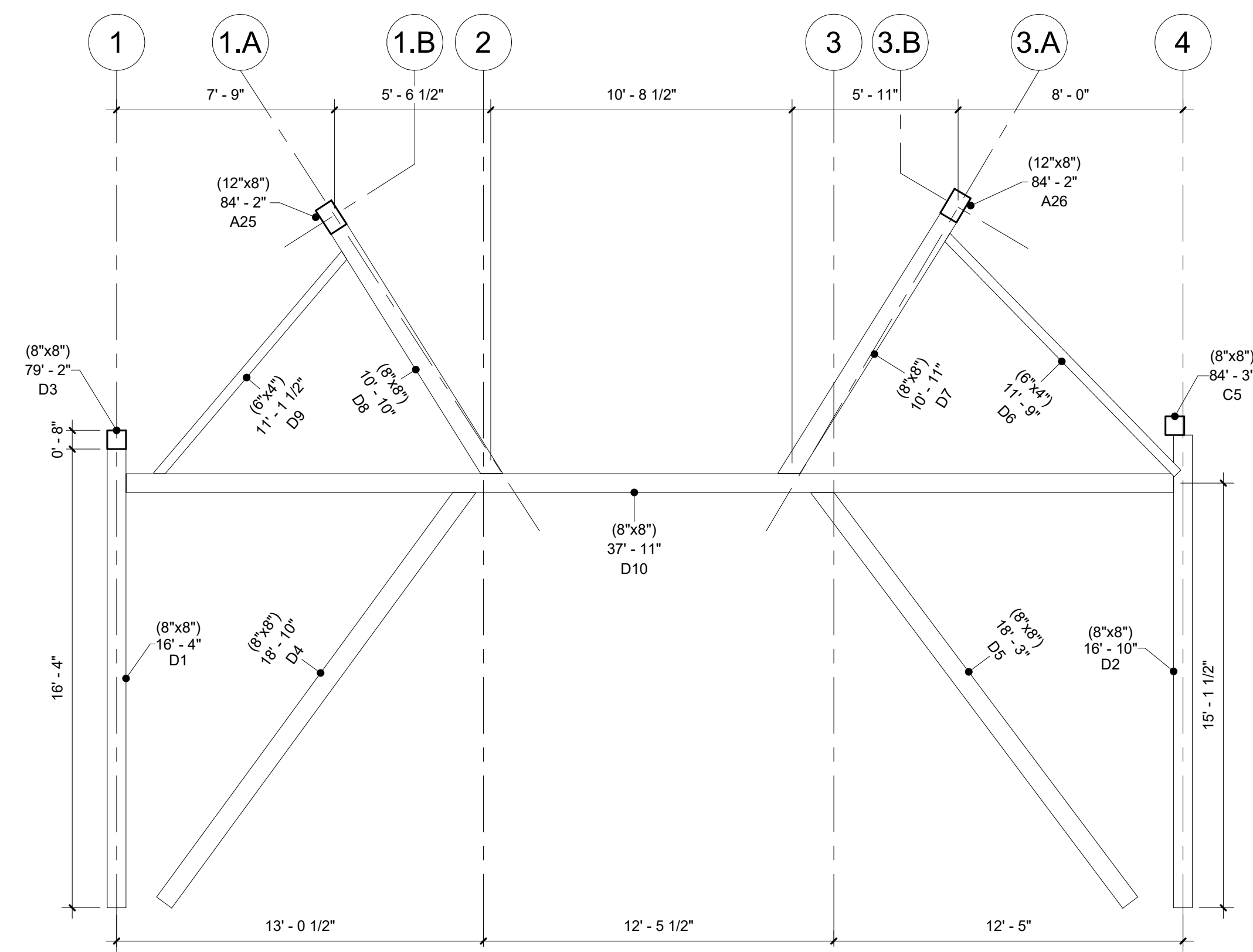
## Bent E

Project Number	Project 3
Date	20240804
Drawn By	
Checked By	

# A105

Scale	1/4" = 1'-0"
-------	--------------

# PERDUE BARN



## Bent D

Project Number Project 3

Date 20240804

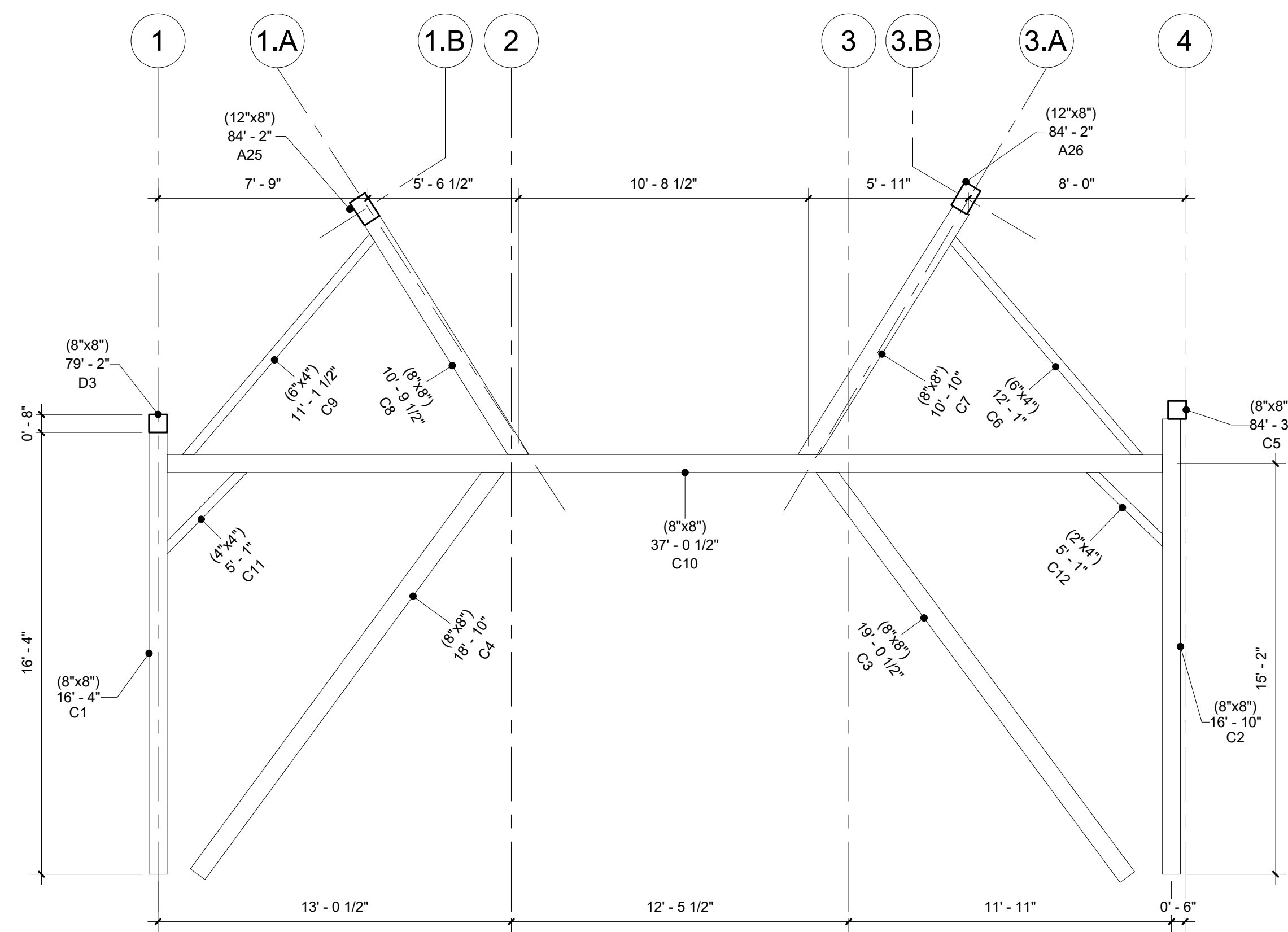
Drawn By

Checked By

# A106

Scale 1/4" = 1'-0"

# PERDUE BARN



## Bent C

Project Number Project 3

Date 20240804

Drawn By

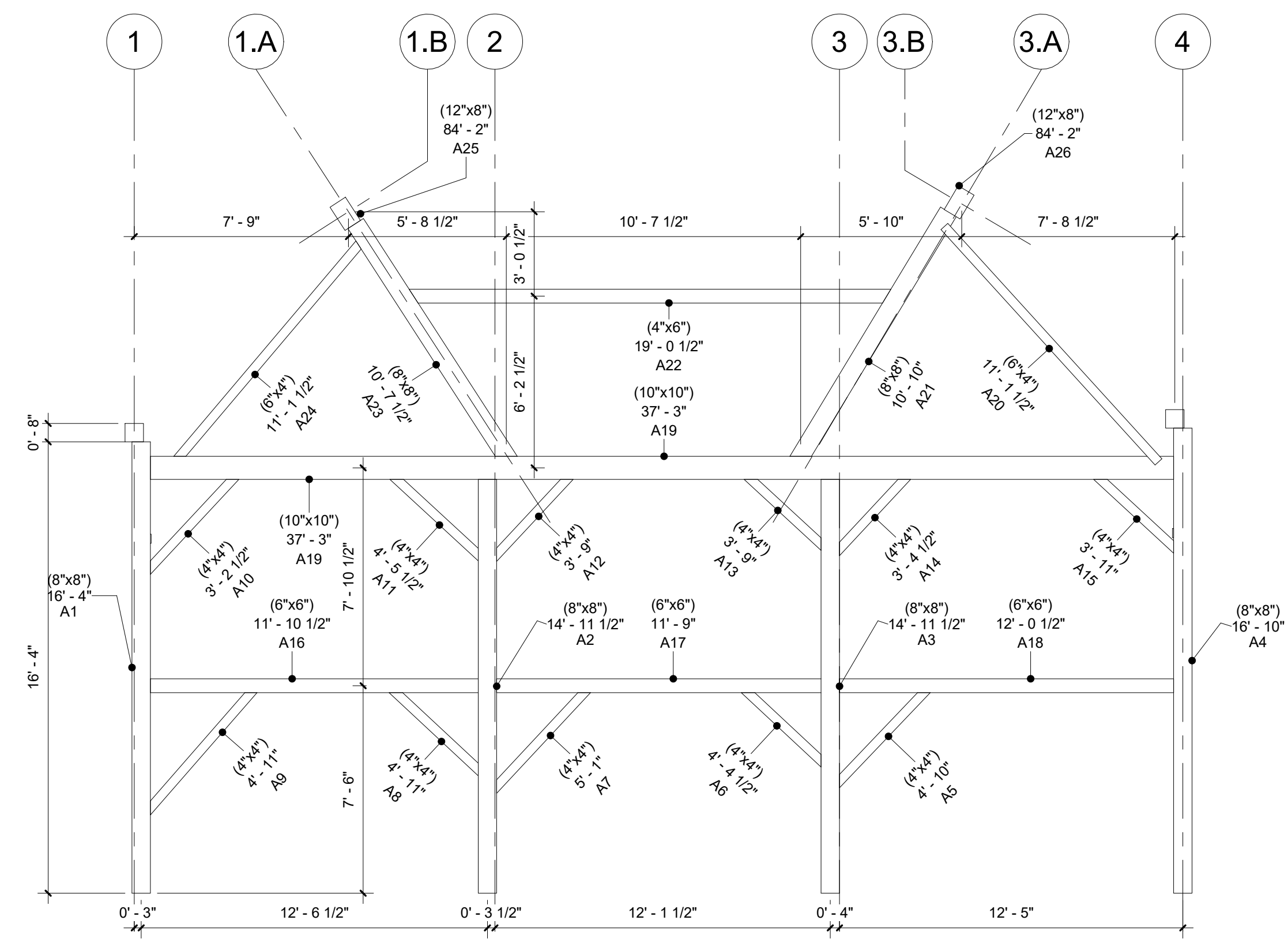
Checked By

# A107

Scale 1/4" = 1'-0"



# PERDUE BARN



## Bent A

Project Number Project 3

Date 20240804

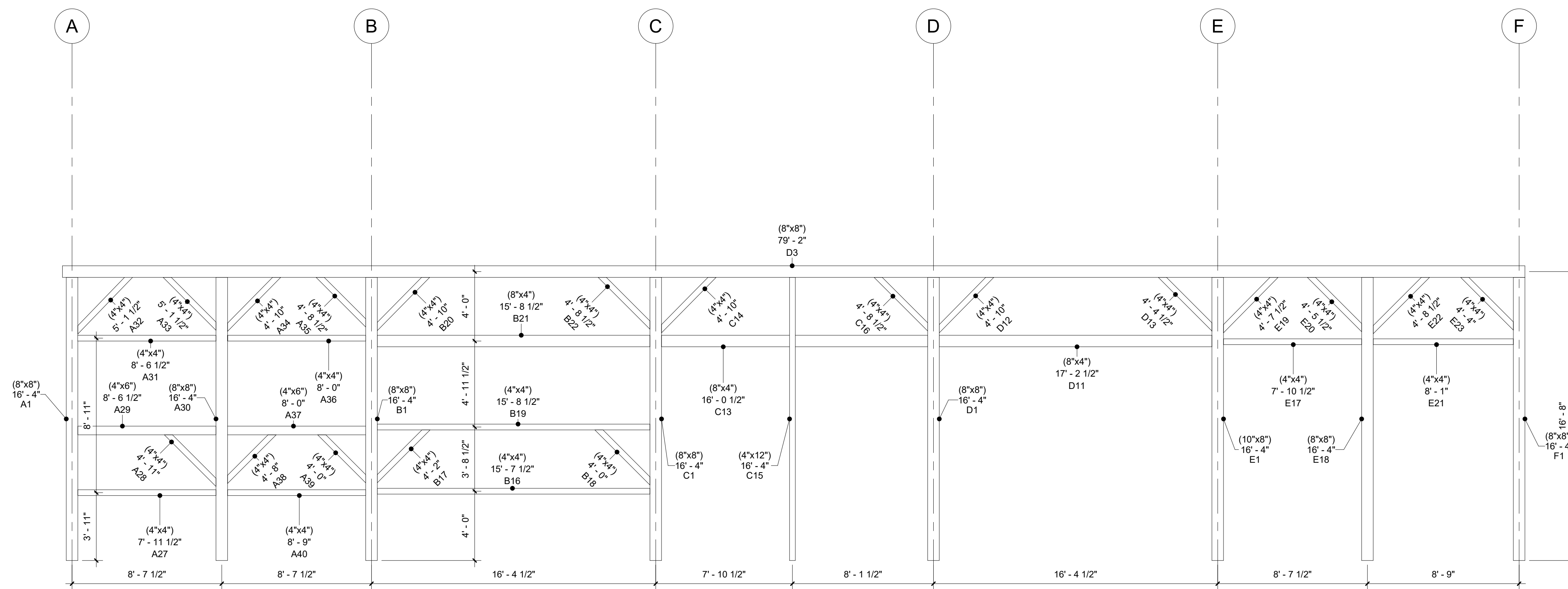
Drawn By

Checked By

# A109

Scale 1/4" = 1'-0"

# PERDUE BARN

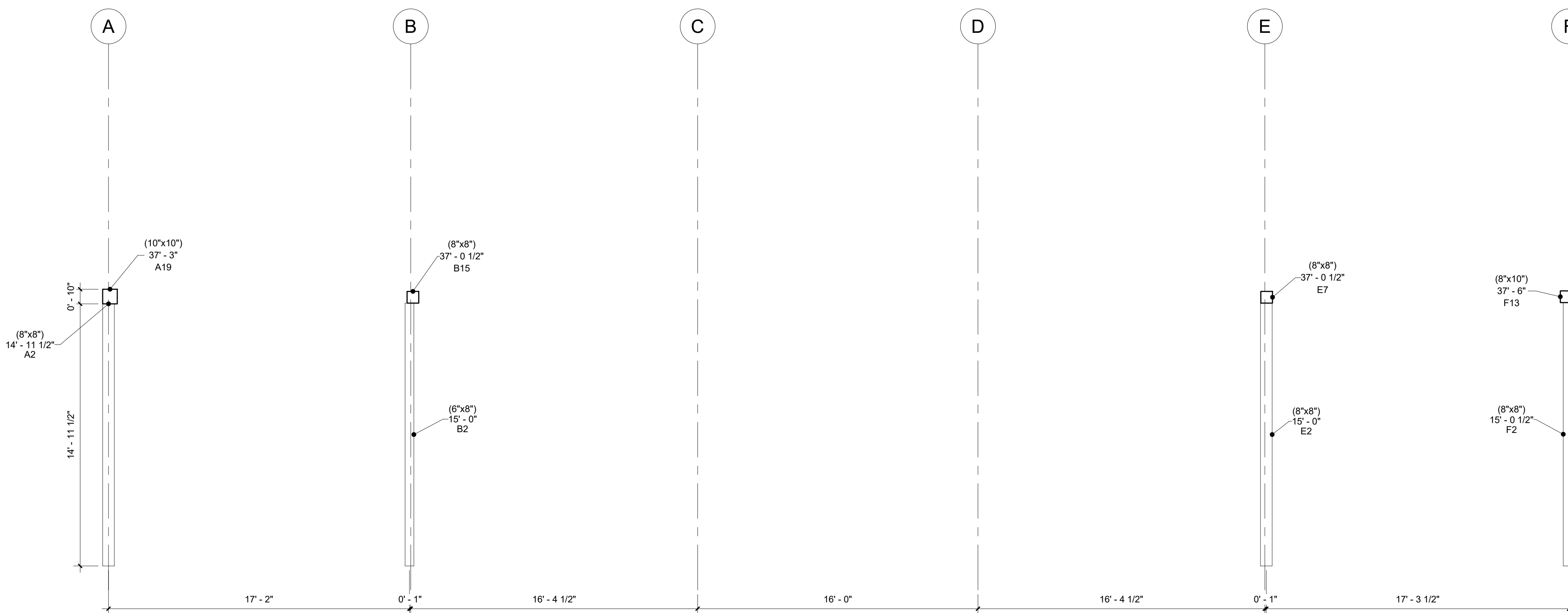


## Bent 1

Project Number Project 3  
 Date 20240804  
 Drawn By  
 Checked By

# A110

Scale 1/4" = 1'-0"



# PERDUE BARN

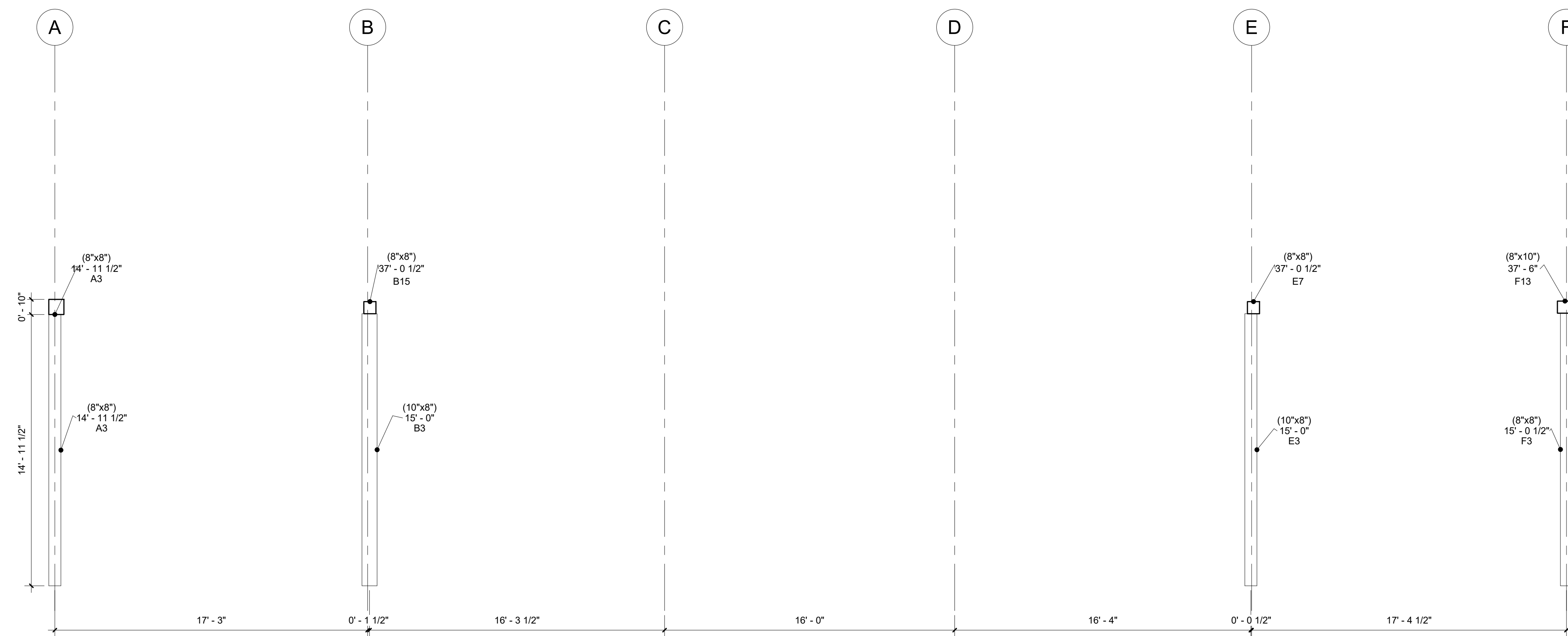
## Bent 2

Project Number	Project 3
Date	20240804
Drawn By	
Checked By	

# A111

Scale	1/4" = 1'-0"
-------	--------------

# PERDUE BARN



## Bent 3

Project Number Project 3

Date 20240804

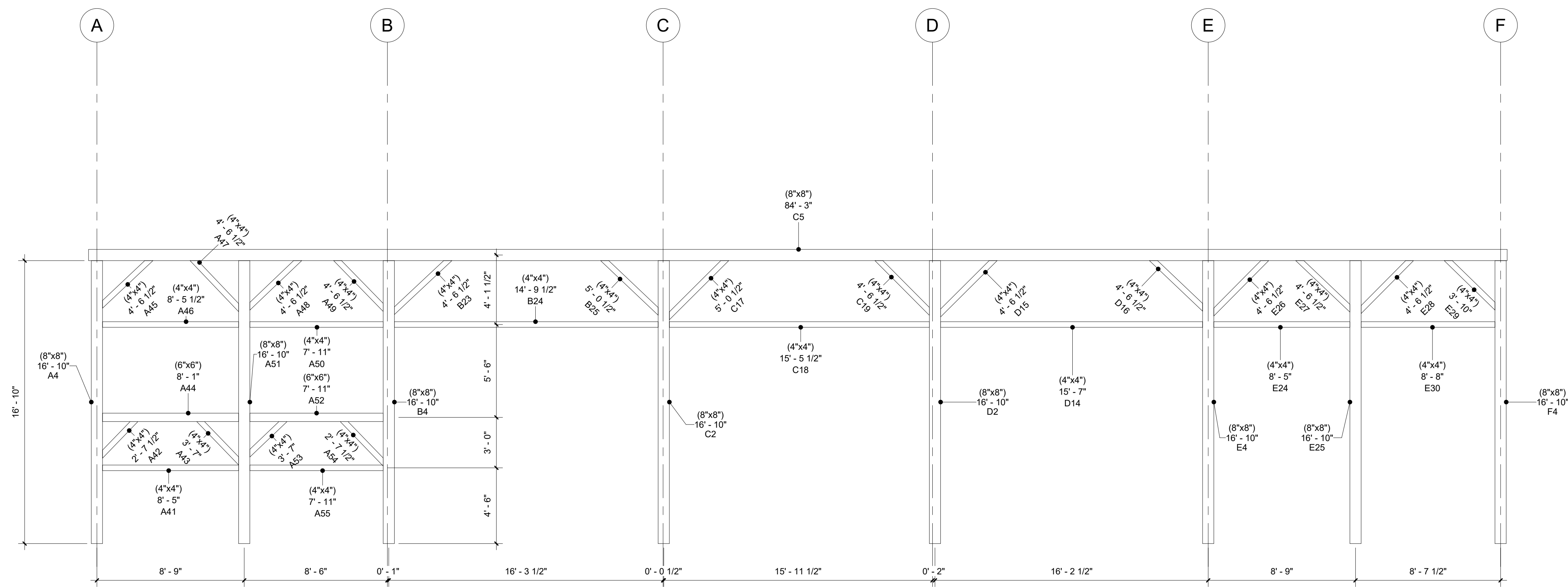
Drawn By

Checked By

# A112

Scale 1/4" = 1'-0"

# PERDUE BARN

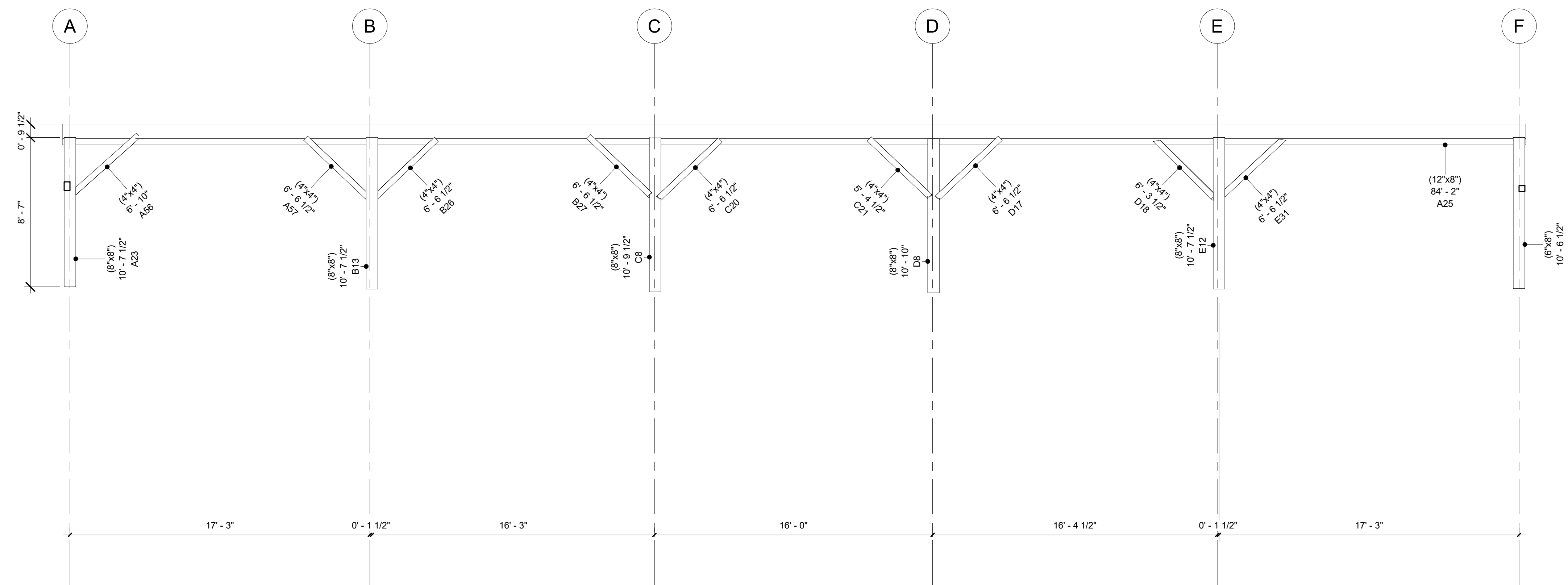


## Bent 4

Project Number Project 3  
 Date 20240804  
 Drawn By  
 Checked By

# A113

Scale 1/4" = 1'-0"



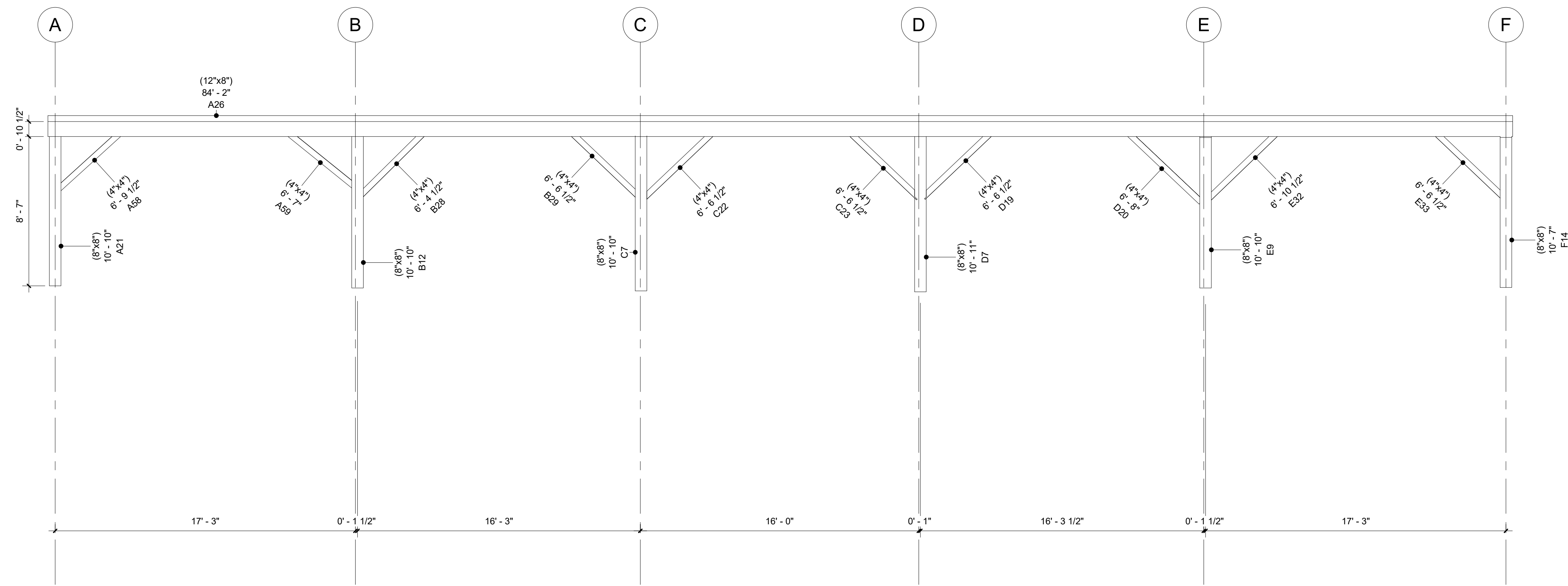
# PERDUE BARN

## Bent 1.A

Project Number	Project 3
Date	20240804
Drawn By	
Checked By	

# A114

Scale	1/4" = 1'-0"
-------	--------------



# PERDUE BARN

## Bent 3.A

Project Number	Project 3
Date	20240804
Drawn By	
Checked By	

# A115

Scale	1/4" = 1'-0"
-------	--------------