

GN 310 Series Bottom Feed Handgun

Complete Applicator without Swirl Nozzle

- GN310 handguns are equipped with rotary fittings which enables handgun to rotate 360° without twisting the hose, and allows wide range of movement and high flexibility.
- GN310 handguns are 100% compatible with piston pump melter systems of all brands such as; Nordson, Robatech, Meler, UES, Melton, Bühnen, Preo, and Idealtech..
- GN310 gun hose can be produced with corrugated flexible polyamide external jacket upon request.

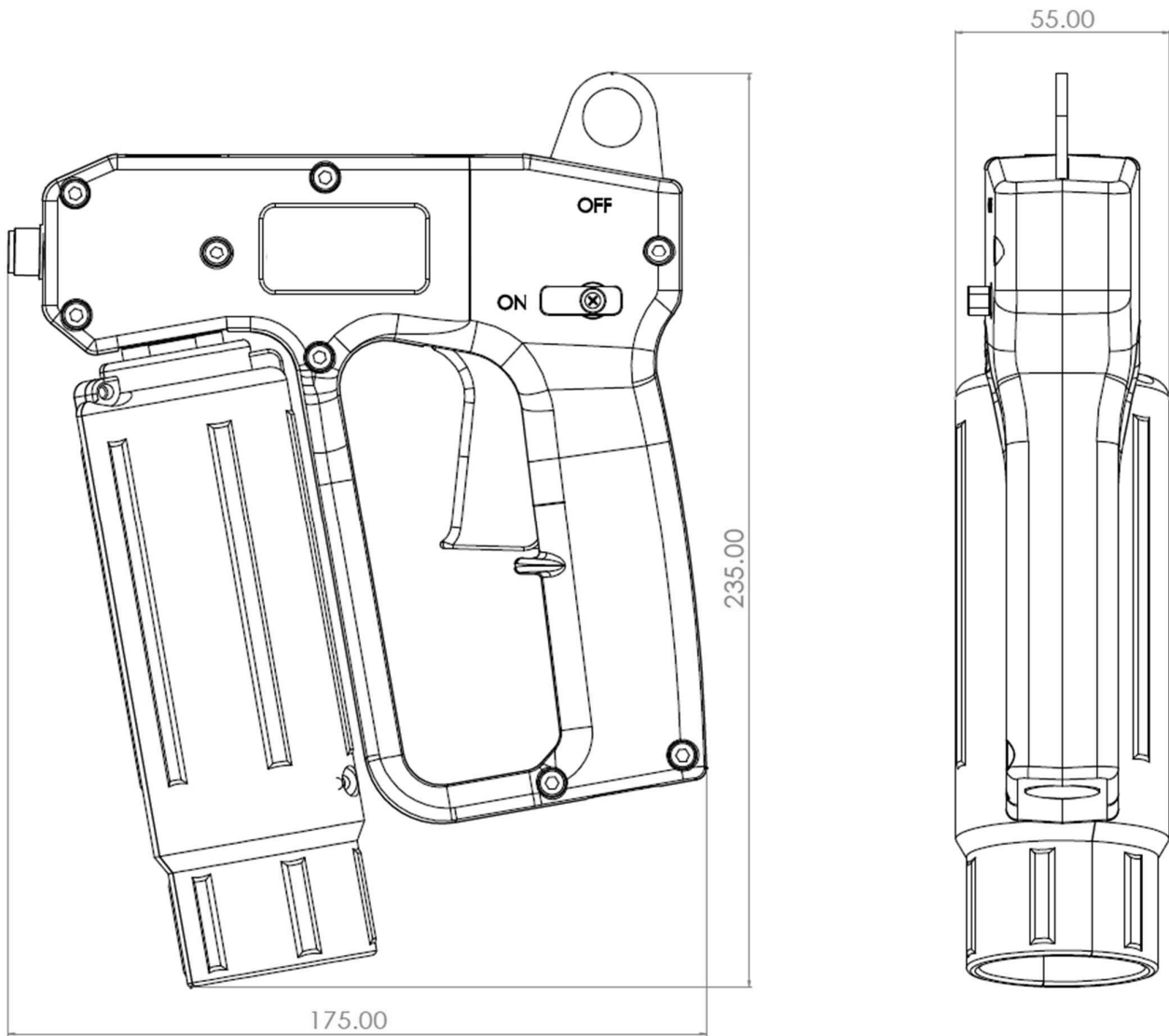


GN 310 Bottom Feed Spray Handgun

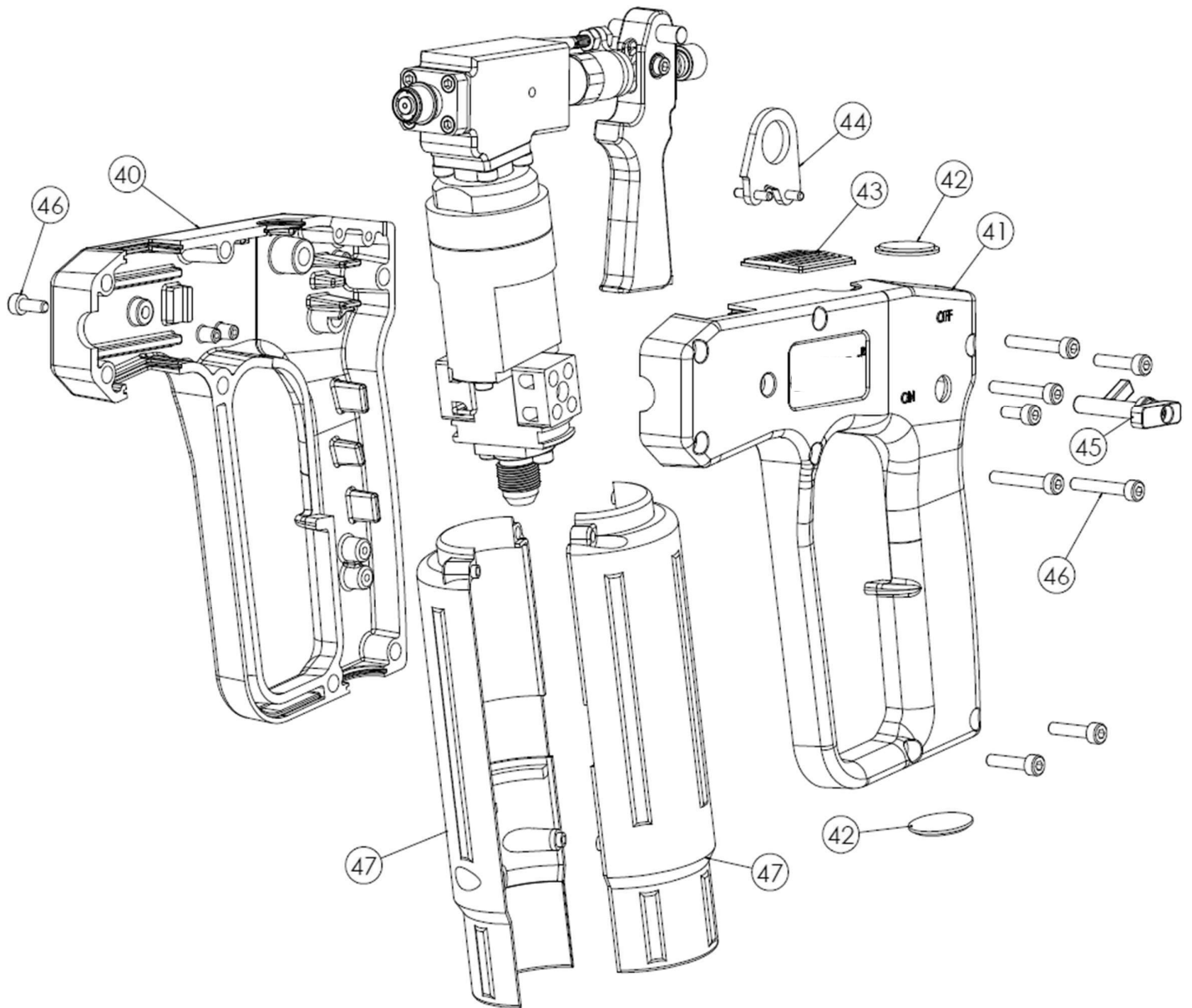
Model	GN310 Bottom Feed
Weight	990 gr.
Dimensions	235 x 175 x 55 mm.
Power Supply	110 - 230V AC, 50/60 HZ
Heating Capacity	140 W
Type of Heating	High Performance Heating Cartridge
Temperature sensor	Ni120, NTC, PT100
Max. Operating Temp.	210 °C
Max. Hydraulic Pressure	70 Bar
Nozzle Connection Thread	1/2" - 20 UNF
Heating Hose Connection	9/16" - 18 UNF
Heating Hose Lengths (m)	2.40, 3.60, 4.80, 6.00, 7.20
Nozzles and Adapters	Swirl spray disc nozzles.

P/N	Description
<i>Nordson, UES, Melton Compatibles</i>	
101206	Ni120, for Corrugated hose
101207	Ni120, for PA braided hose
<i>Robatech Compatibles</i>	
163430	NTC, for Corrugated hose
163433	NTC, for PA braided hose
<i>Meler, Bühnen, Preo, Ideltech Compatibles</i>	
206510	PT100 w/Corrugated hose cover
206500	PT100 w/PA hose cover

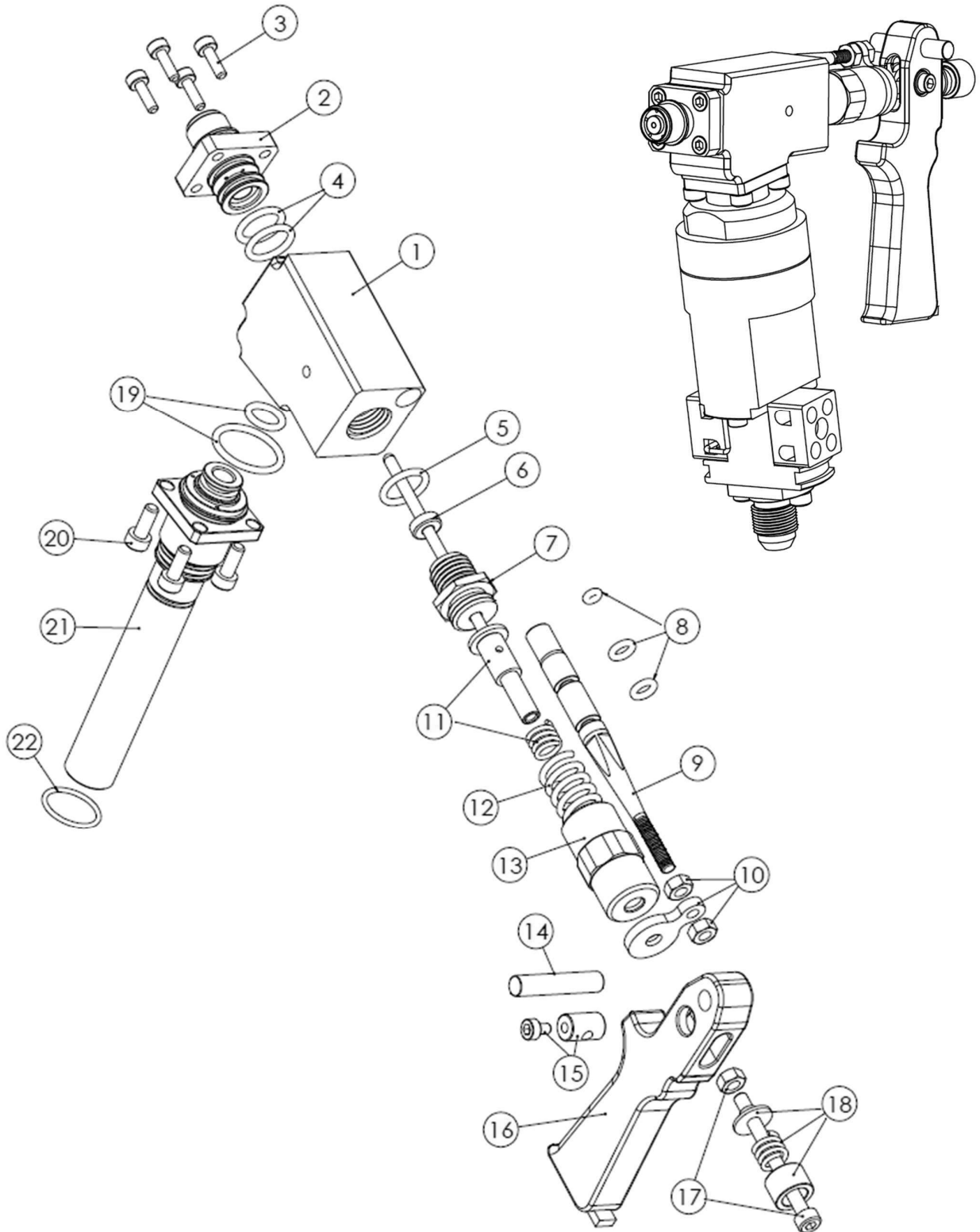
GN310 Bottom Feed Spray Handgun



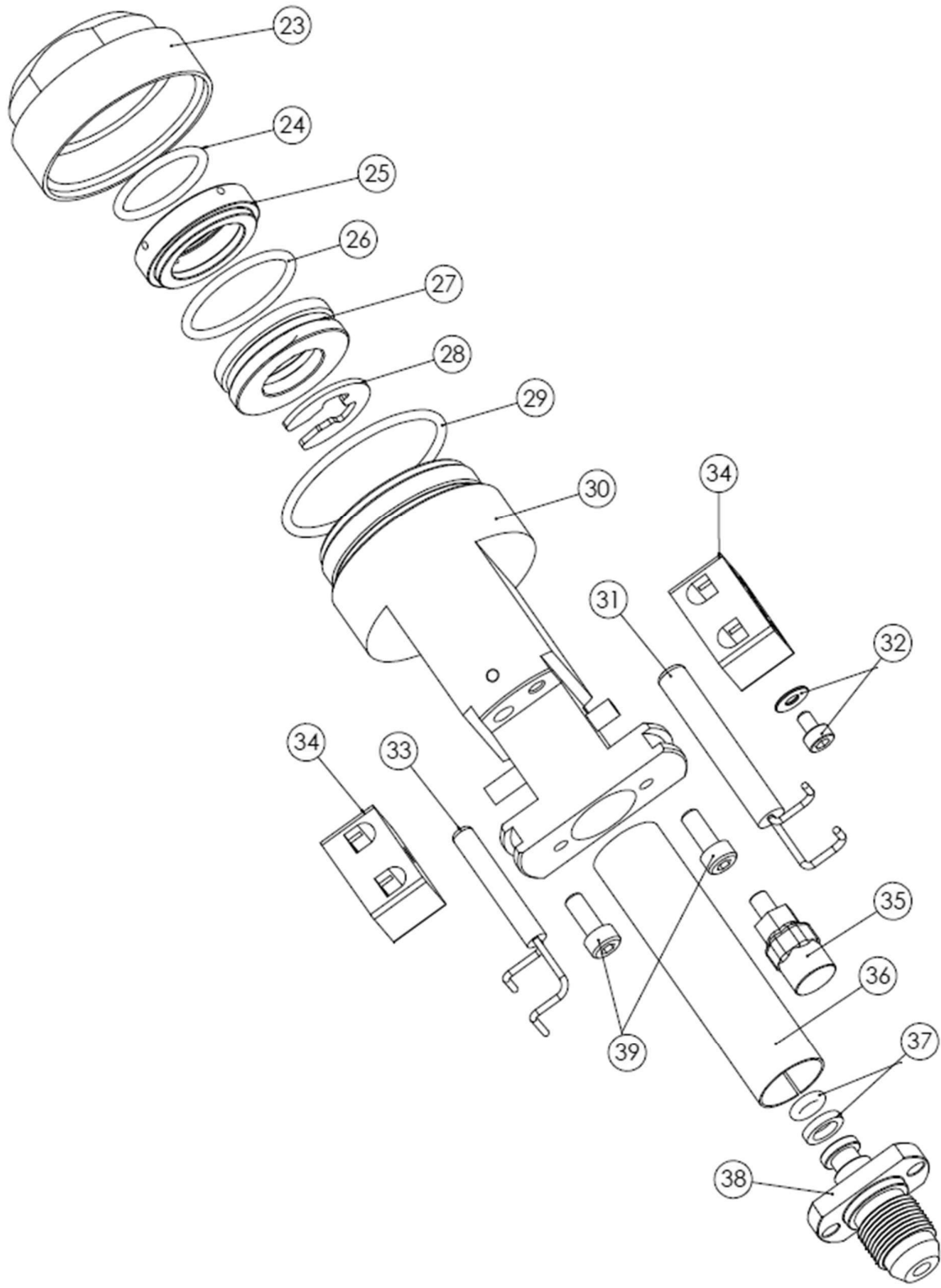
GN310 Bottom Feed Spray Handgun



GN310 Bottom Feed Spray Handgun



GN310 Bottom Feed Spray Handgun



GN310 Bottom Feed Spray Handgun Parts

No	P/N	Description
1	370044	Body Assembly
2	486057	Nozzle holder
3	202411	Nozzle holder screw set
4	124460	Oring 11x2mm
5	124455	Oring 10,82x1,78mm
6	543244	PTFE Shaft Seal 3,4x9x3mm
7	700546	Needle back holder
8	122470	Air valve Oring set
9	970652	Air valve
10	960654	Air valve screw set
11	776085	Needle
12	807015	Spring
13	807530	Spring sleeve
14	200455	Trigger pin
15	205085	Trigger adjustment screw M3x5
16	403060	Trigger
17	204562	Trigger screw
18	201710	Trigger screw support
19	123454	Oring set 8x2 / 17,17x1,78
20	204877	Screw set M4x10
21	378960	Body pivot
22	122443	Oring 15x1,50
23	745663	Heater body nut
24	122687	Oring 20x3
25	733400	Bearing Support ring
26	122764	Oring 24x2
27	711455	Bearing
28	700200	Retaining ring
29	122368	Oring 36x2
30	333601	Heater body
31	668705	Heater 6,5x40mm / 230V 140W
32	244665	Terminal screw
33 A	667535	Sensor Ni120 4,8x30mm
33 B	601432	Sensor PT100 4,8x30mm
33 C	698741	Sensor NTC 4,8x30mm
34	965000	Ceramic terminal
35	961442	Air fitting
36	795000	Sleeve bearing
37	122900	Oring set 6,07x1,78 / PTFE Support 6x1,75x1,50
38	600332	Hose connection fitting
39	298000	Fitting screw set M4x10
40	402572	Gun body right side
41	402570	Gun body left side
42	102223	Round body cap
43	102781	Square body cap
44	400500	Hanger
45	100874	Safety lock set
46	209455	Gun body screw set (9 pcs)
47A	410655	Heater body cap set (PA Braided hose cover)
47B	411442	Heater body cap set (Corrugated hose cover cap)