

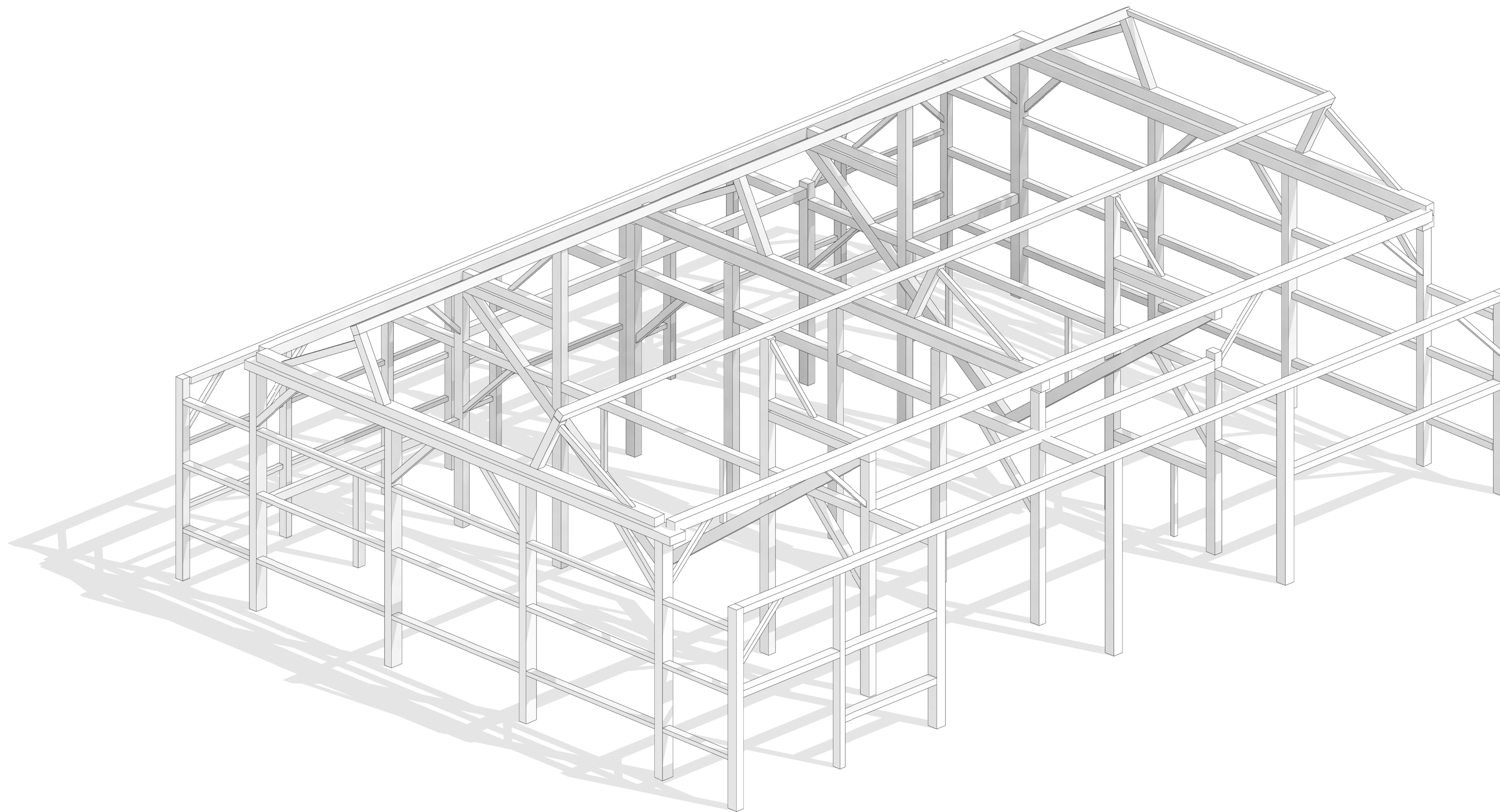
PROJECT: The Stonehouse Stable
SCOPE: AS BUILT DRAWINGS

Timber
Home
Services LLC

The Stonehouse Stable

DAN TRIMBLE
AA66 / TIMBER HOME SERVICES
CELL PHONE/TEXT - 412-309-1161

EMAIL:
DANTRIMBLE@TIMBERHOMESERVICES.COM



Cover Page

Project Number	Project 14
Date	20250523
Drawn By	
Checked By	

A101

Scale

Timber Home Services LLC

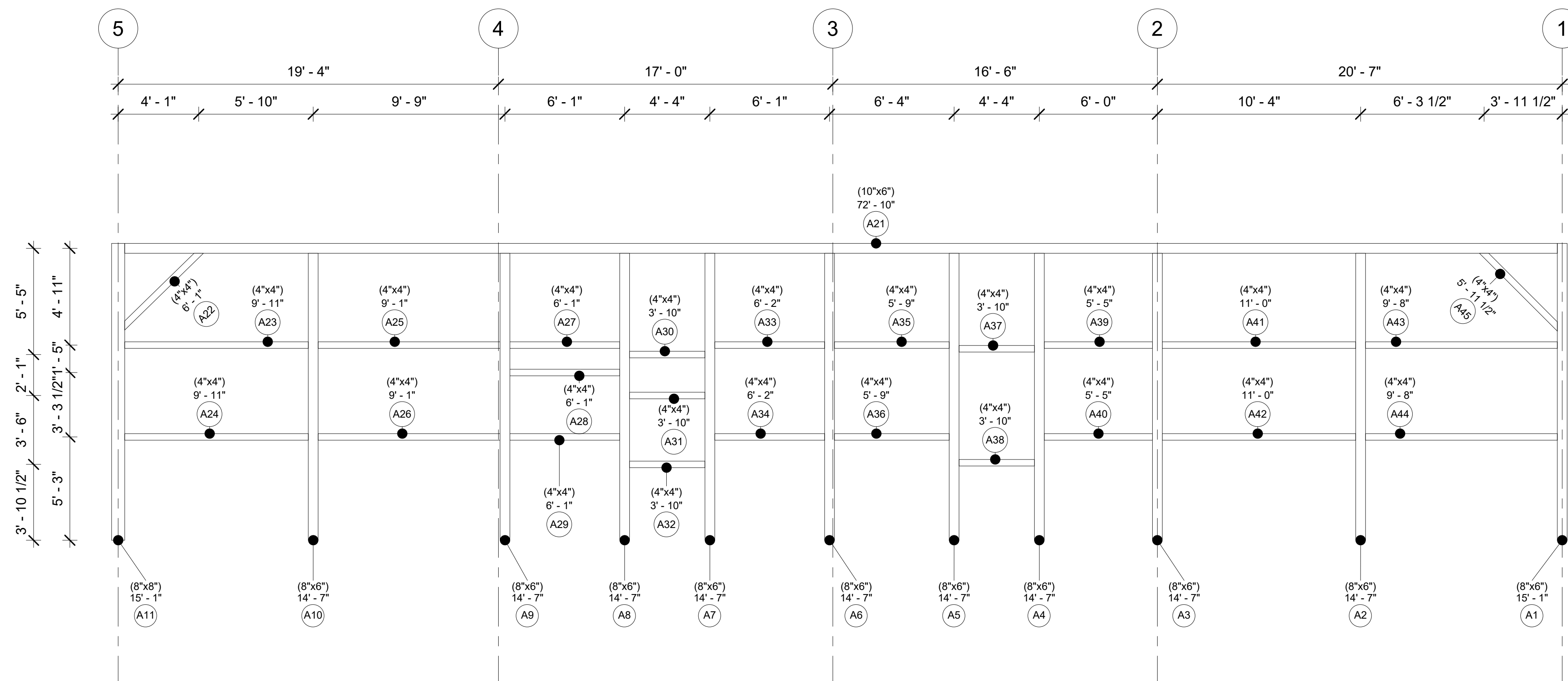
The Stonehouse Stable

DAN TRIMBLE
AA66 / TIMBER HOME SERVICES

CELL PHONE/TEXT - 412-309-1161

EMAIL:

DANTRIMBLE@TIMBERHOMESERVICES.COM



Bent A

Project Number Project 14

Date 20250523

Drawn By

Checked By

A103

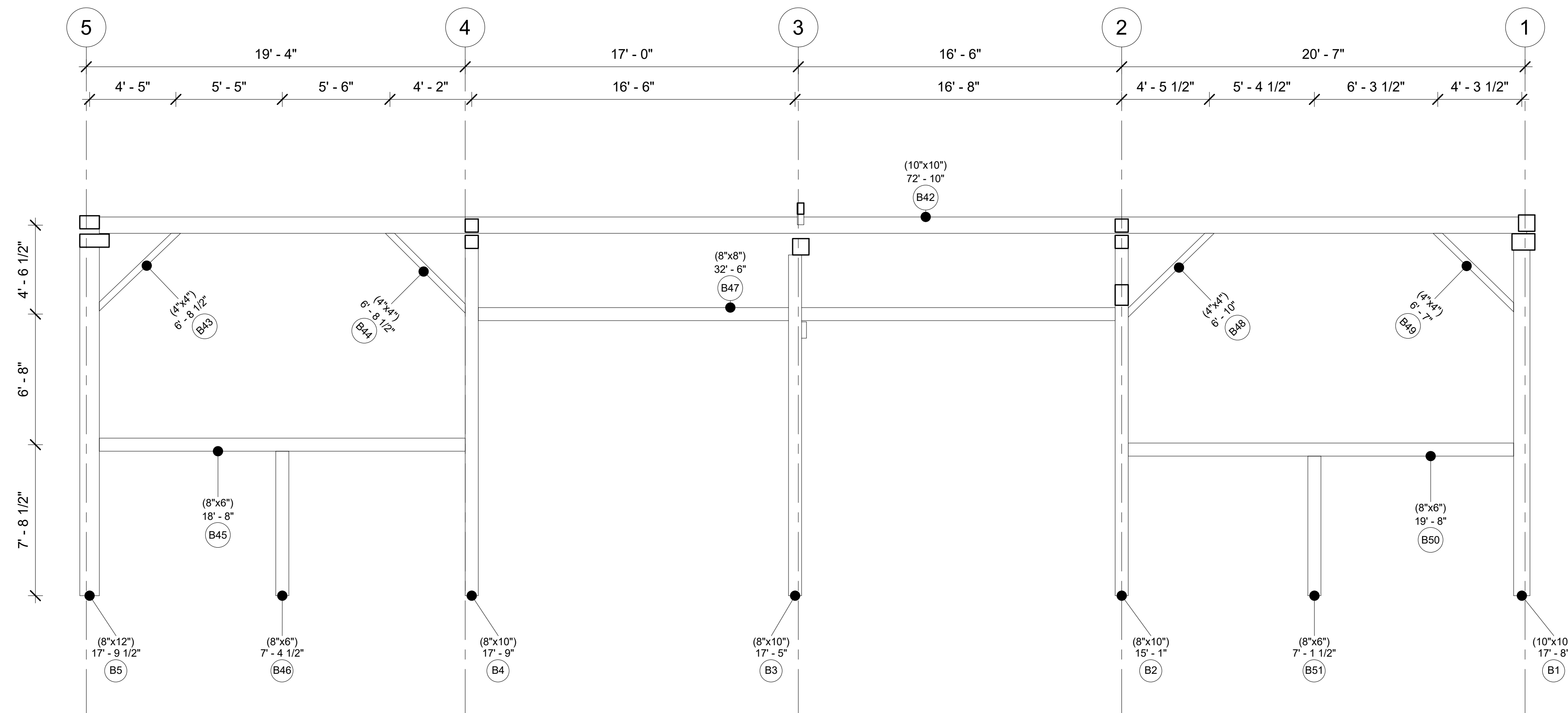
Scale 1/4" = 1'-0"

Timber Home Services LLC

The Stonehouse Stable

DAN TRIMBLE
AA66 / TIMBER HOME SERVICES
CELL PHONE/TEXT - 412-309-1161

EMAIL:
DANTRIMBLE@TIMBERHOMESERVICES.COM



Bent B

Project Number	Project 14
Date	20250523
Drawn By	
Checked By	

A104

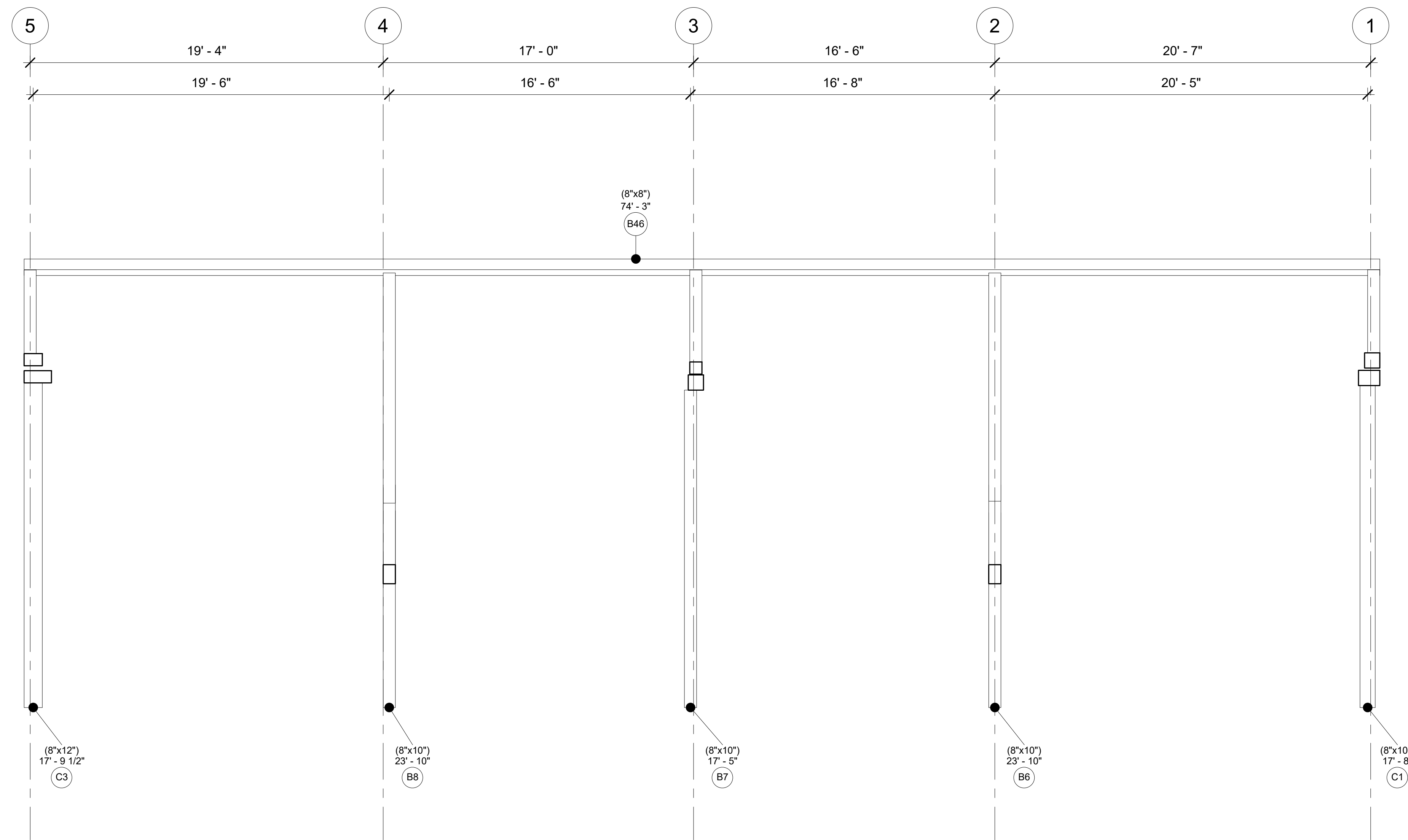
Scale 1/4" = 1'-0"

Timber Home Services LLC

The Stonehouse Stable

DAN TRIMBLE
AA66 / TIMBER HOME SERVICES
CELL PHONE/TEXT - 412-309-1161

EMAIL:
DANTRIMBLE@TIMBERHOMESERVICES.COM



Bent C

Project Number Project 14
Date 20250523
Drawn By
Checked By

A105

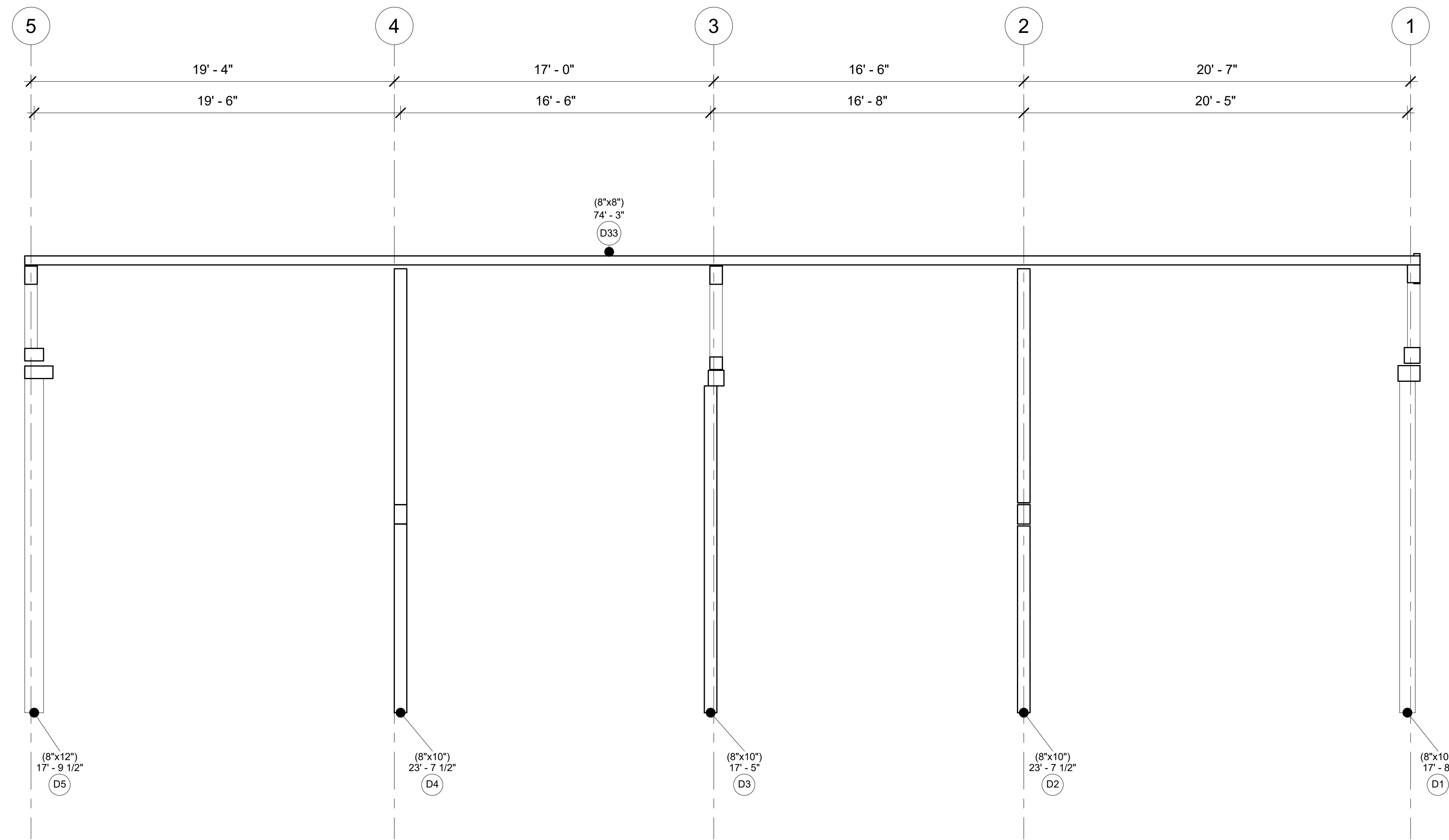
Scale 1/4" = 1'-0"

Timber Home Services LLC

The Stonehouse Stable

DAN TRIMBLE
AA66 / TIMBER HOME SERVICES
CELL PHONE/TEXT - 412-309-1161

EMAIL:
DANTRIMBLE@TIMBERHOMESERVICES.COM



Bent D

Project Number Project 14
Date 20250523
Drawn By
Checked By

A106

Scale 1/4" = 1'-0"

Timber Home Services LLC

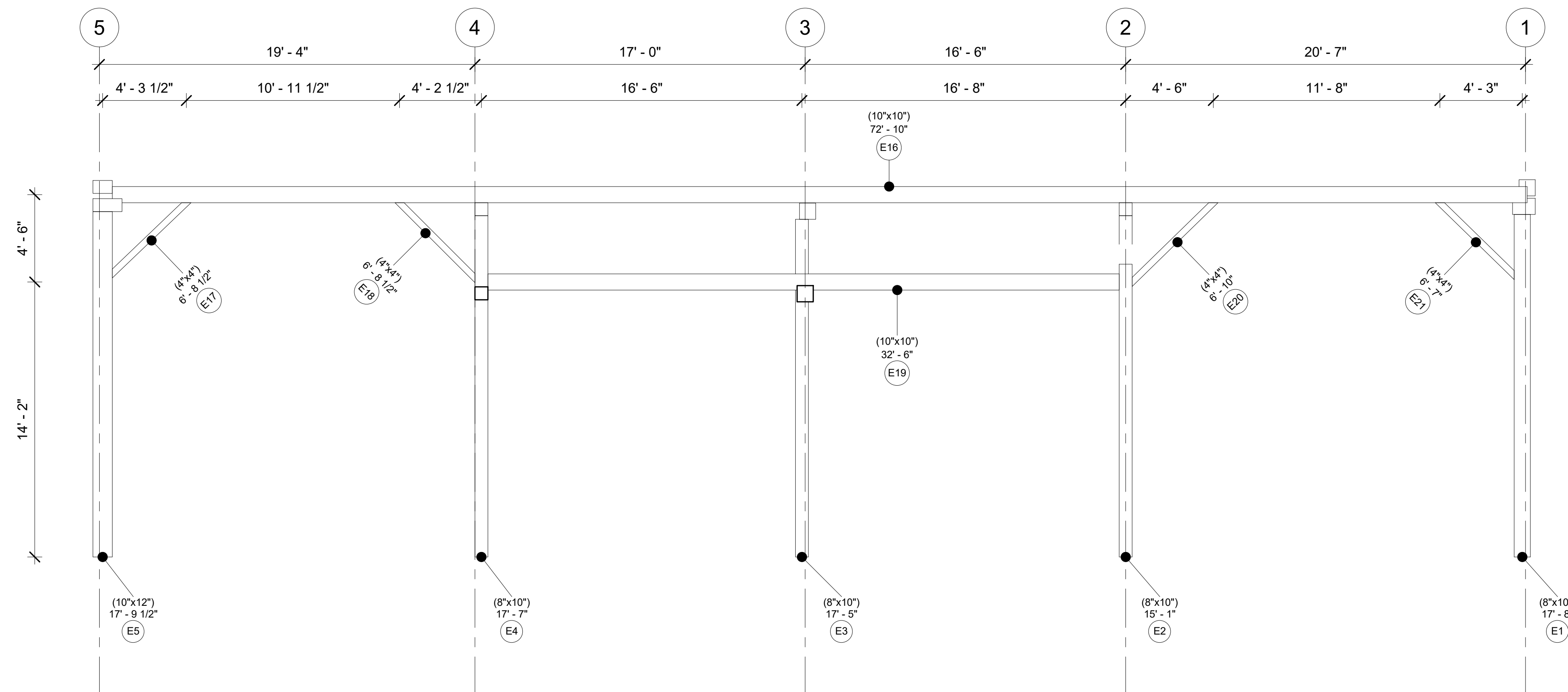
The Stonehouse Stable

DAN TRIMBLE
AA66 / TIMBER HOME SERVICES

CELL PHONE/TEXT - 412-309-1161

EMAIL:

DANTRIMBLE@TIMBERHOMESERVICES.COM



Bent E

Project Number Project 14

Date 20250523

Drawn By

Checked By

A107

Scale 1/4" = 1'-0"

Timber Home Services LLC

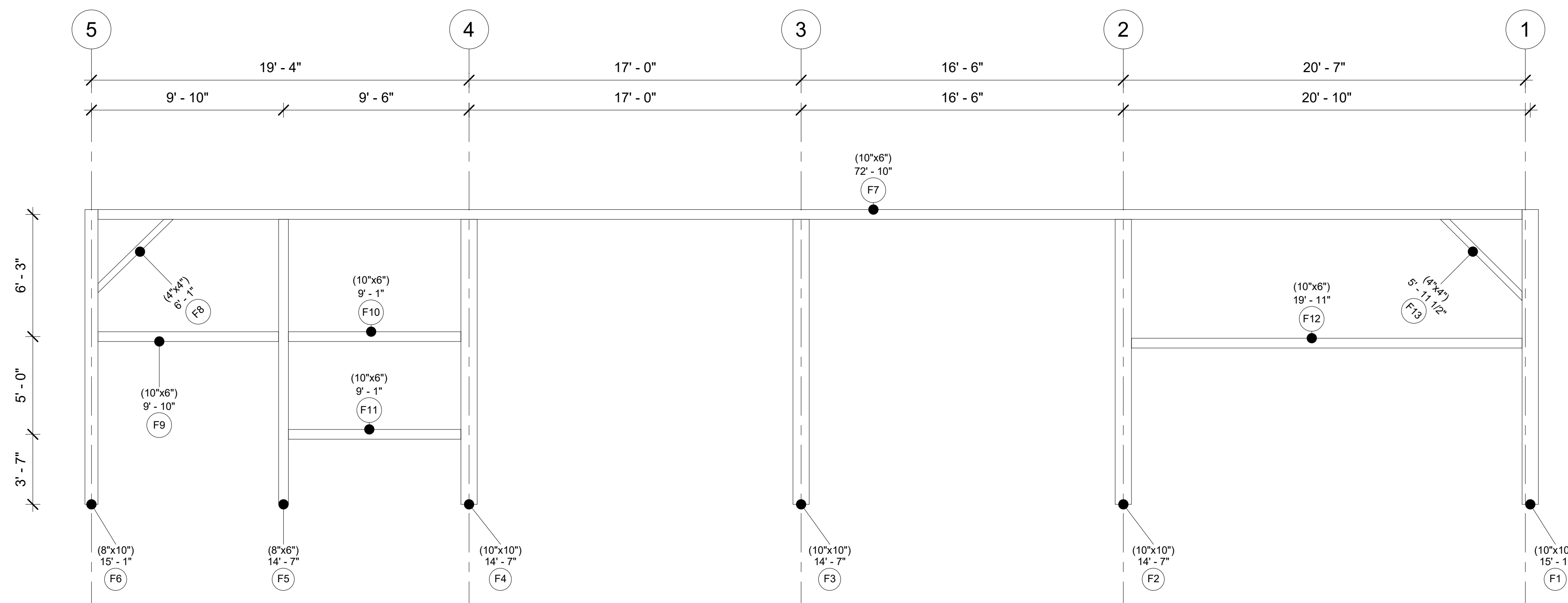
The Stonehouse Stable

DAN TRIMBLE
AA66 / TIMBER HOME SERVICES

CELL PHONE/TEXT - 412-309-1161

EMAIL:

DANTRIMBLE@TIMBERHOMESERVICES.COM



Bent F

Project Number Project 14

Date 20250523

Drawn By

Checked By

A108

Scale 1/4" = 1'-0"

Timber Home Services LLC

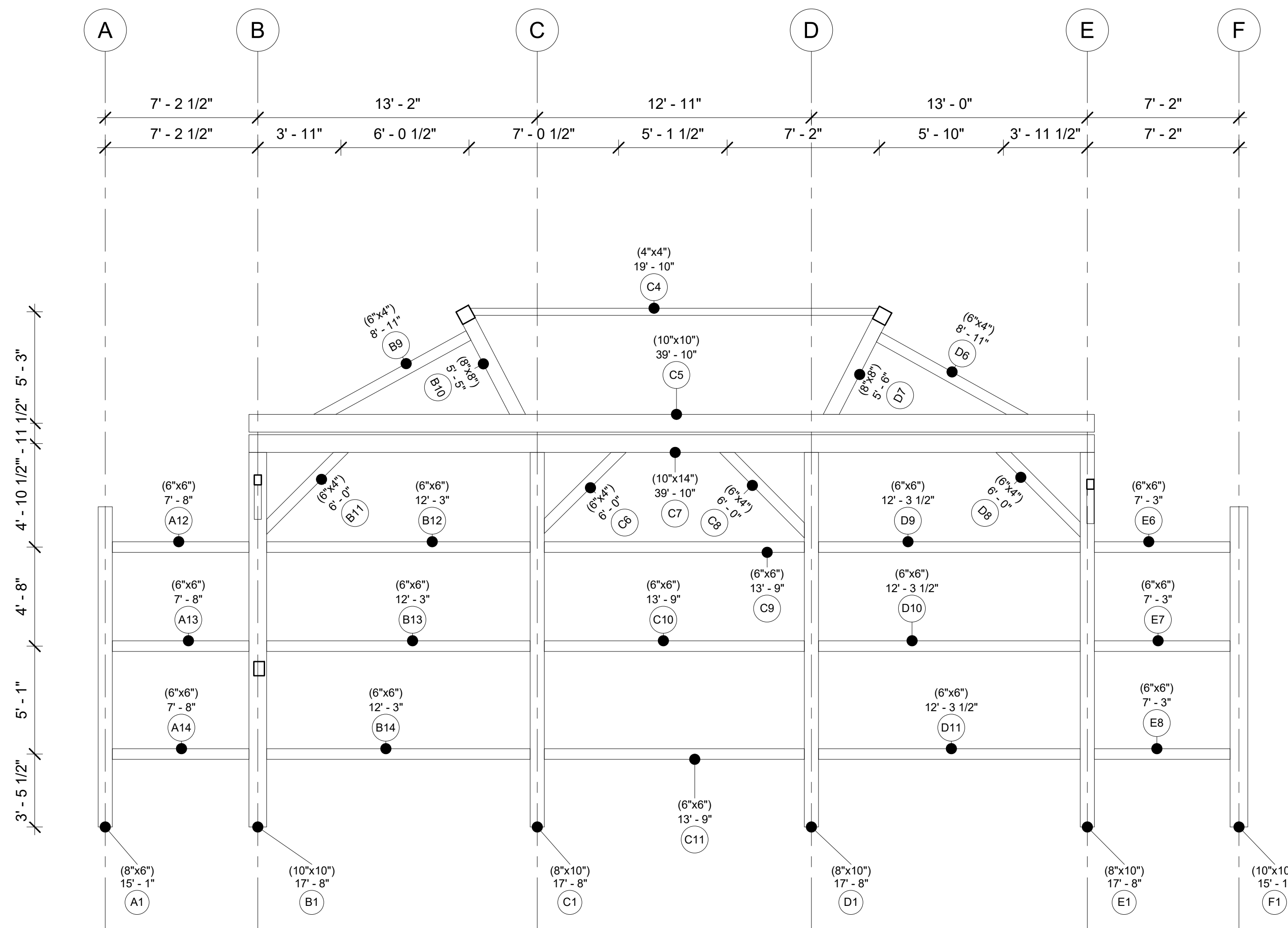
The Stonehouse Stable

DAN TRIMBLE
AA66 / TIMBER HOME SERVICES

CELL PHONE/TEXT - 412-309-1161

EMAIL:

DANTRIMBLE@TIMBERHOMESERVICES.COM



Bent 1

Project Number Project 14

Date 20250523

Drawn By

Checked By

A109

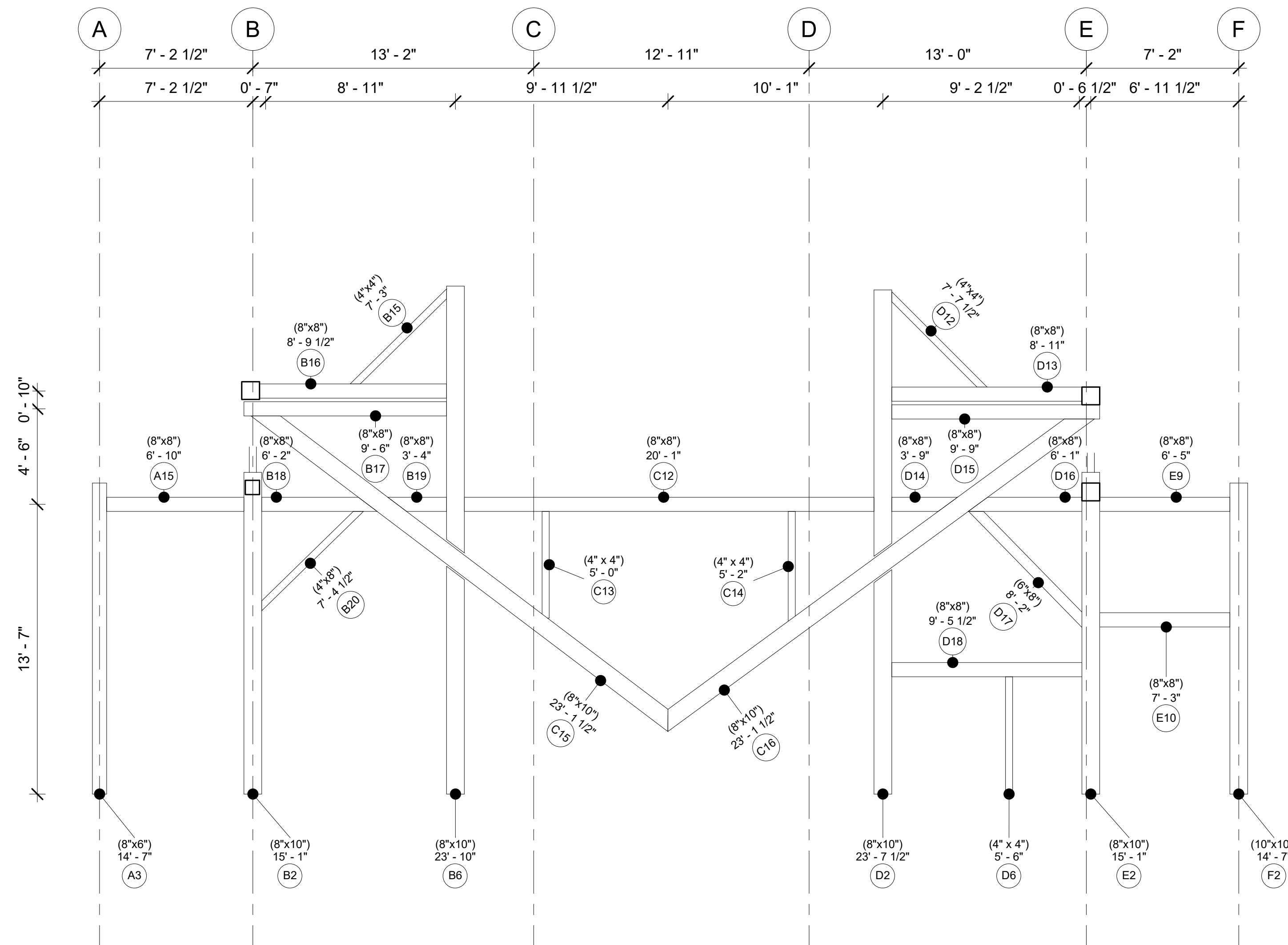
Scale 1/4" = 1'-0"

Timber Home Services LLC

The Stonehouse Stable

DAN TRIMBLE
AA66 / TIMBER HOME SERVICES
CELL PHONE/TEXT - 412-309-1161

EMAIL:
DANTRIMBLE@TIMBERHOMESERVICES.COM



Bent 2

Project Number	Project 14
Date	20250523
Drawn By	
Checked By	

A110

Scale 1/4" = 1'-0"

Timber Home Services LLC

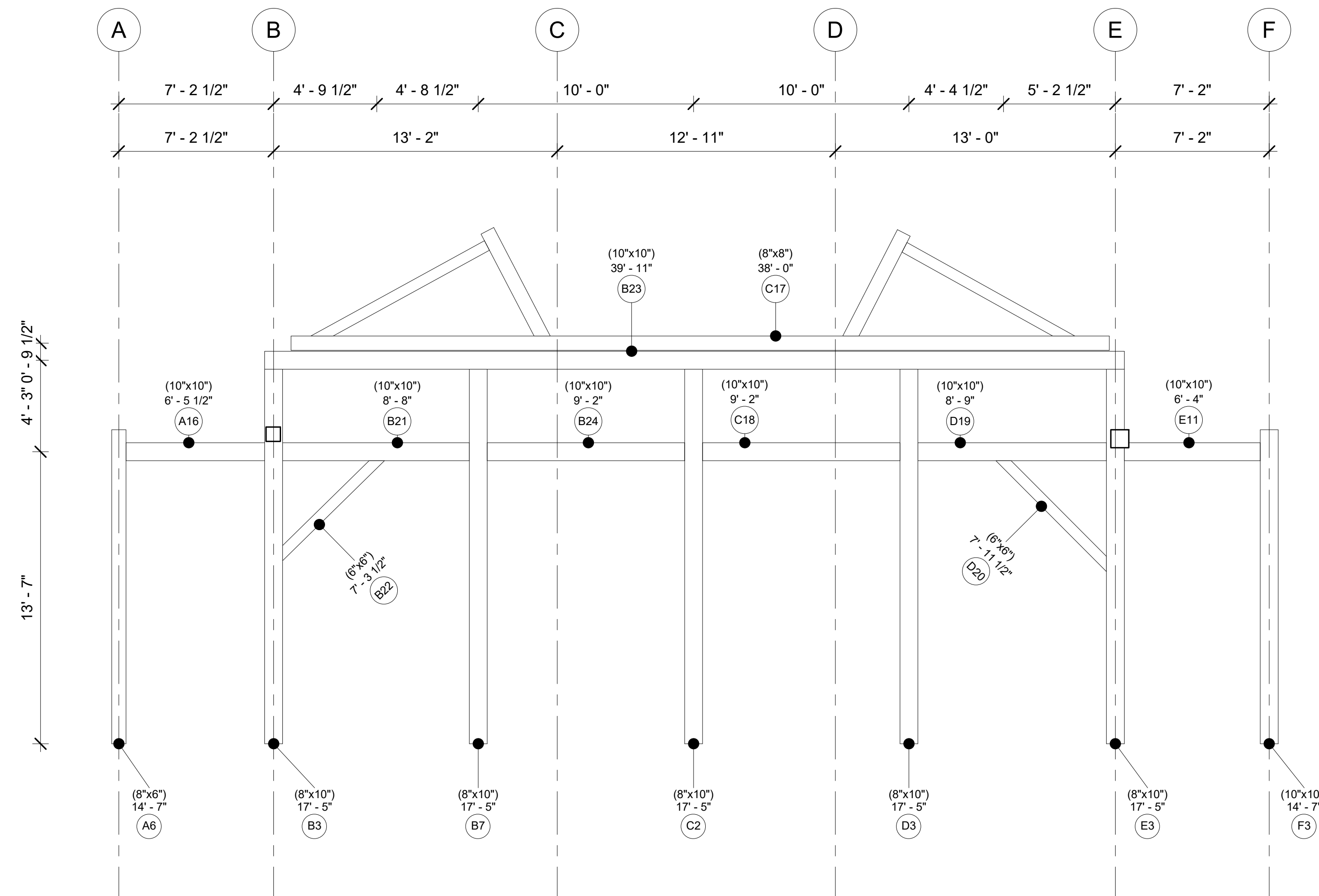
The Stonehouse Stable

DAN TRIMBLE
AA66 / TIMBER HOME SERVICES

CELL PHONE/TEXT - 412-309-1161

EMAIL:

DANTRIMBLE@TIMBERHOMESERVICES.COM



Bent 3

Project Number Project 14

Date 20250523

Drawn By

Checked By

A111

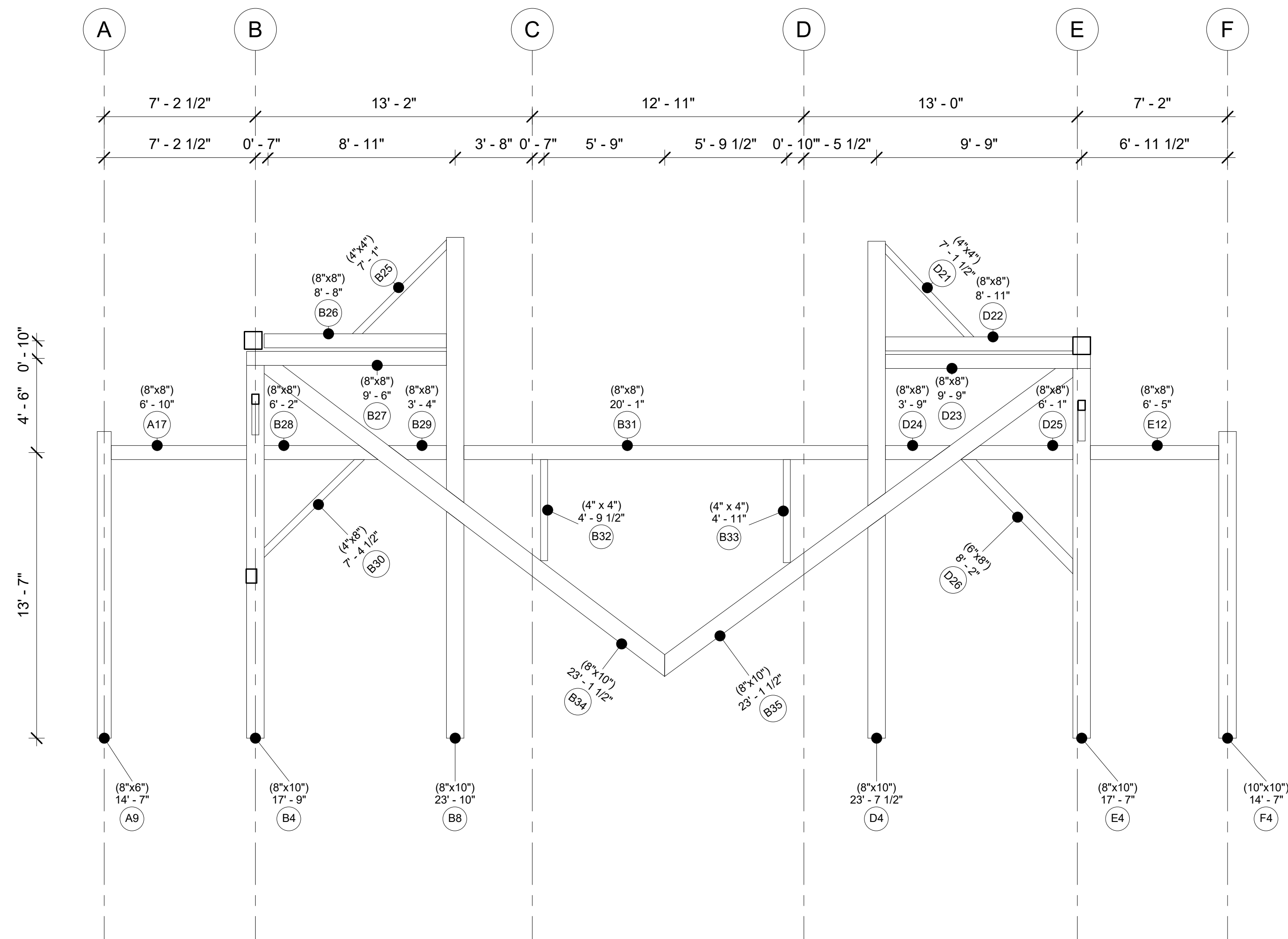
Scale 1/4" = 1'-0"

Timber Home Services LLC

The Stonehouse Stable

DAN TRIMBLE
AA66 / TIMBER HOME SERVICES
CELL PHONE/TEXT - 412-309-1161

EMAIL:
DANTRIMBLE@TIMBERHOMESERVICES.COM



Bent 4

Project Number Project 14
Date 20250523
Drawn By
Checked By

A112

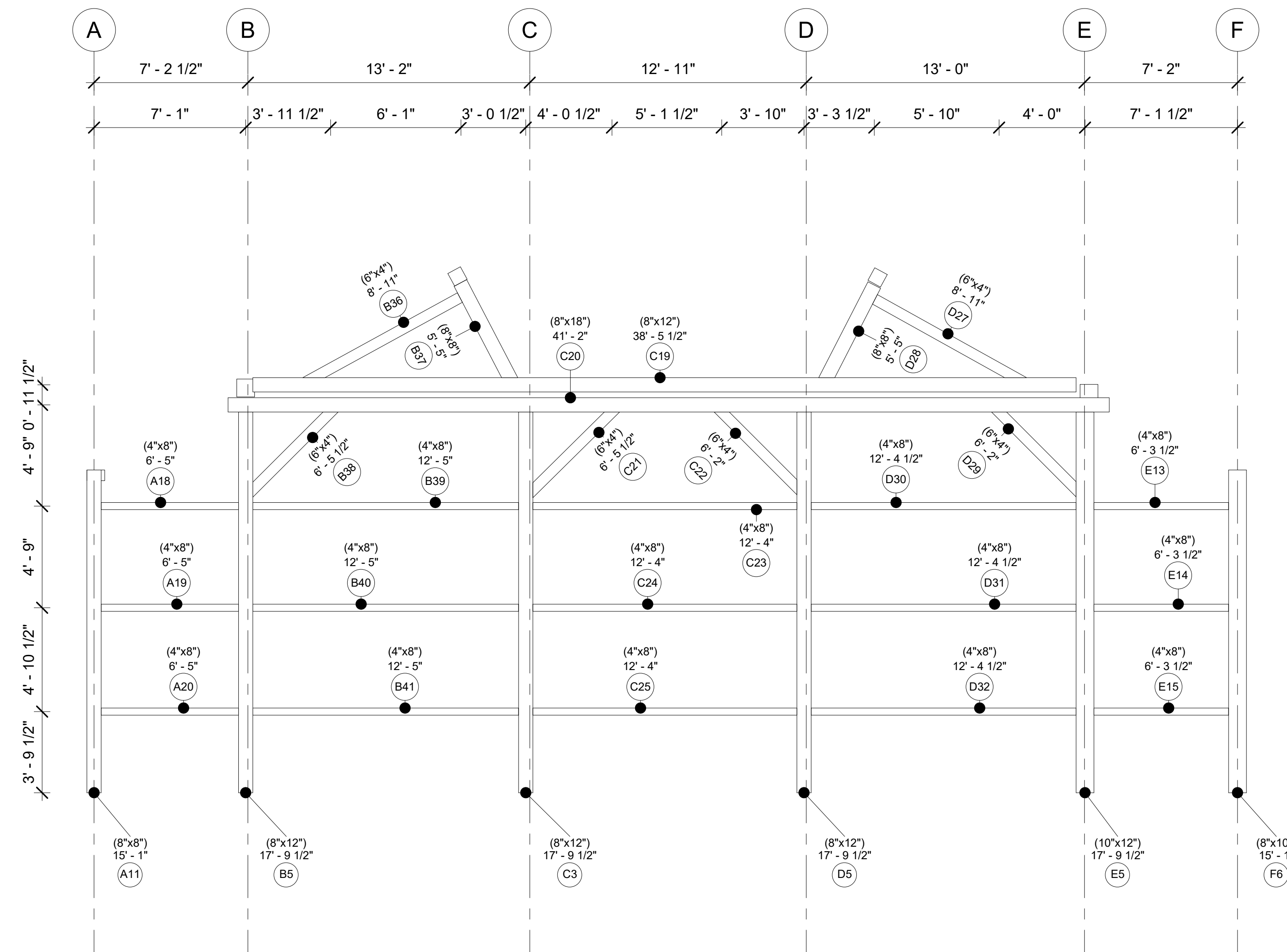
Scale 1/4" = 1'-0"

Timber Home Services LLC

The Stonehouse Stable

DAN TRIMBLE
AA66 / TIMBER HOME SERVICES
CELL PHONE/TEXT - 412-309-1161

EMAIL:
DANTRIMBLE@TIMBERHOMESERVICES.COM



Bent 5

Project Number: Project 14
Date: 20250523
Drawn By:
Checked By:

A113

Scale: 1/4" = 1'-0"