

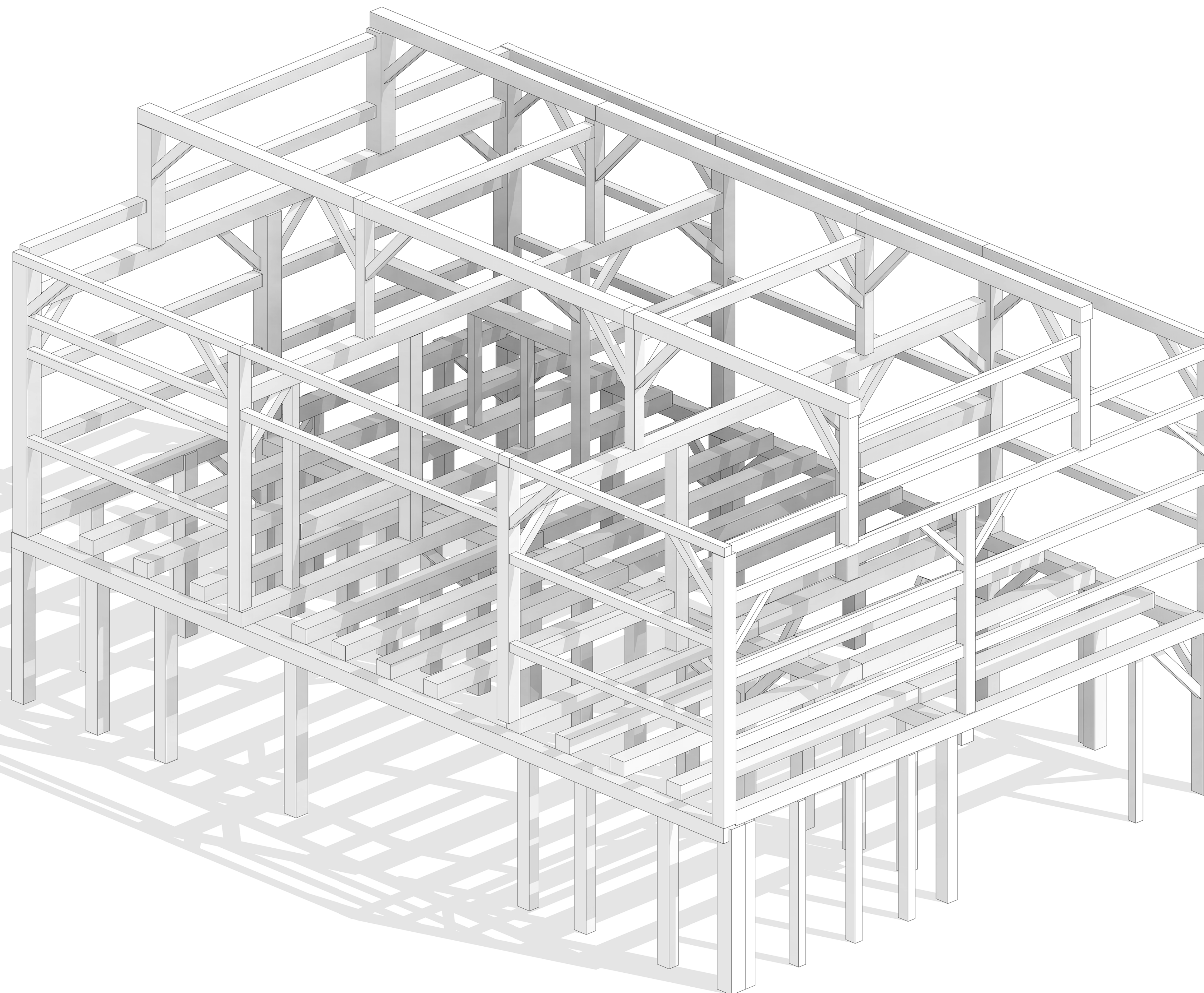
PROJECT: Pine Grove Forge
SCOPE: AS BUILT DRAWINGS

Timber
Home
Services LLC

Pine Grove Forge.

DAN TRIMBLE
AA66 / TIMBER HOME SERVICES
CELL PHONE/TEXT - 412-309-1161

EMAIL:
DANTRIMBLE@TIMBERHOMESERVICES.COM



Cover Page

Project Number Project 10
Date 20250328
Drawn By
Checked By

A101

Scale

Timber Home Services LLC

Pine Grove Forge.

DAN TRIMBLE
AA66 / TIMBER HOME SERVICES
CELL PHONE/TEXT - 412-309-1161

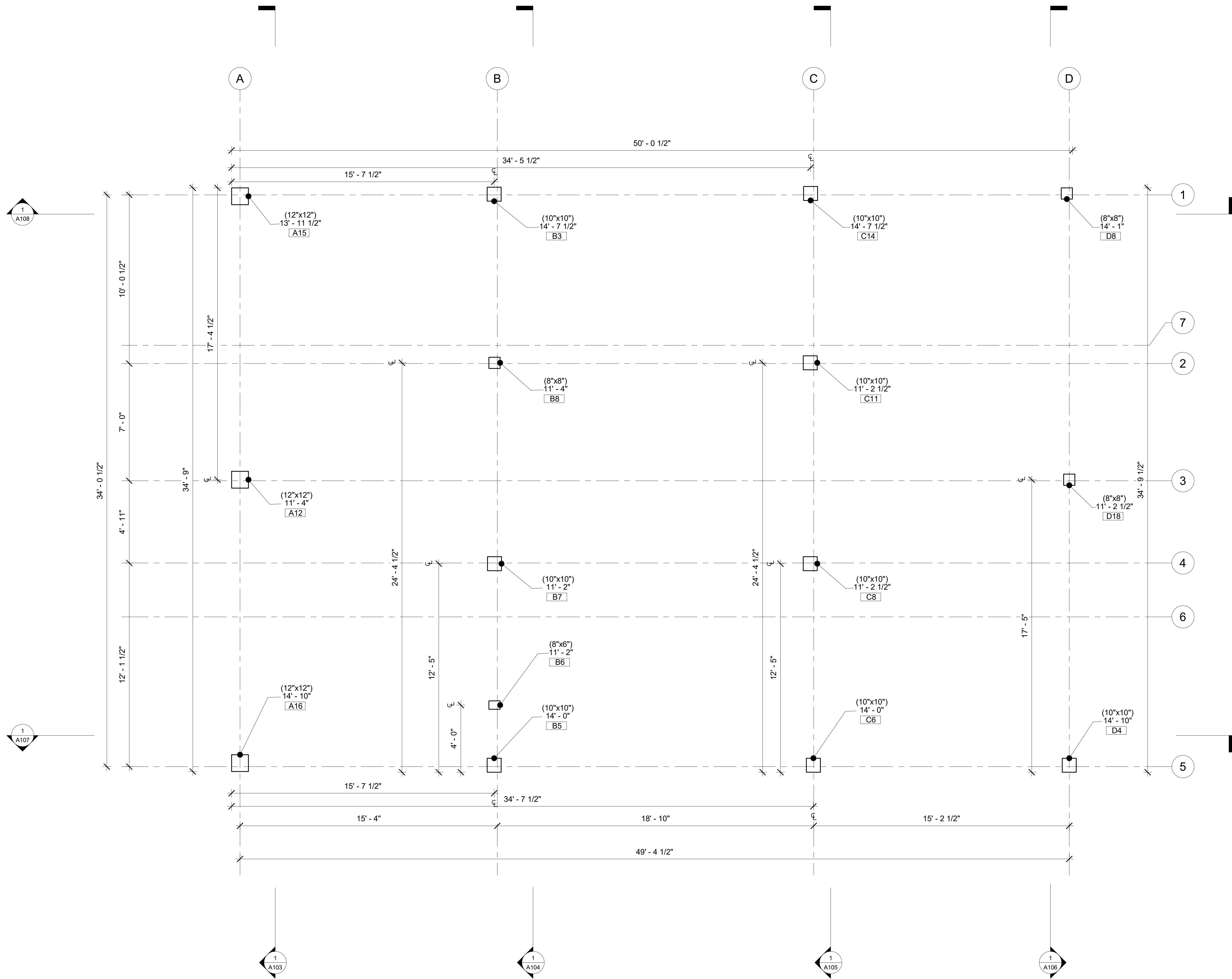
EMAIL:
DANTRIMBLE@TIMBERHOMESERVICES.COM

Floor Plan Upper Post

Project Number	Project 10
Date	20250328
Drawn By	
Checked By	

A102

Scale 3/8" = 1'-0"

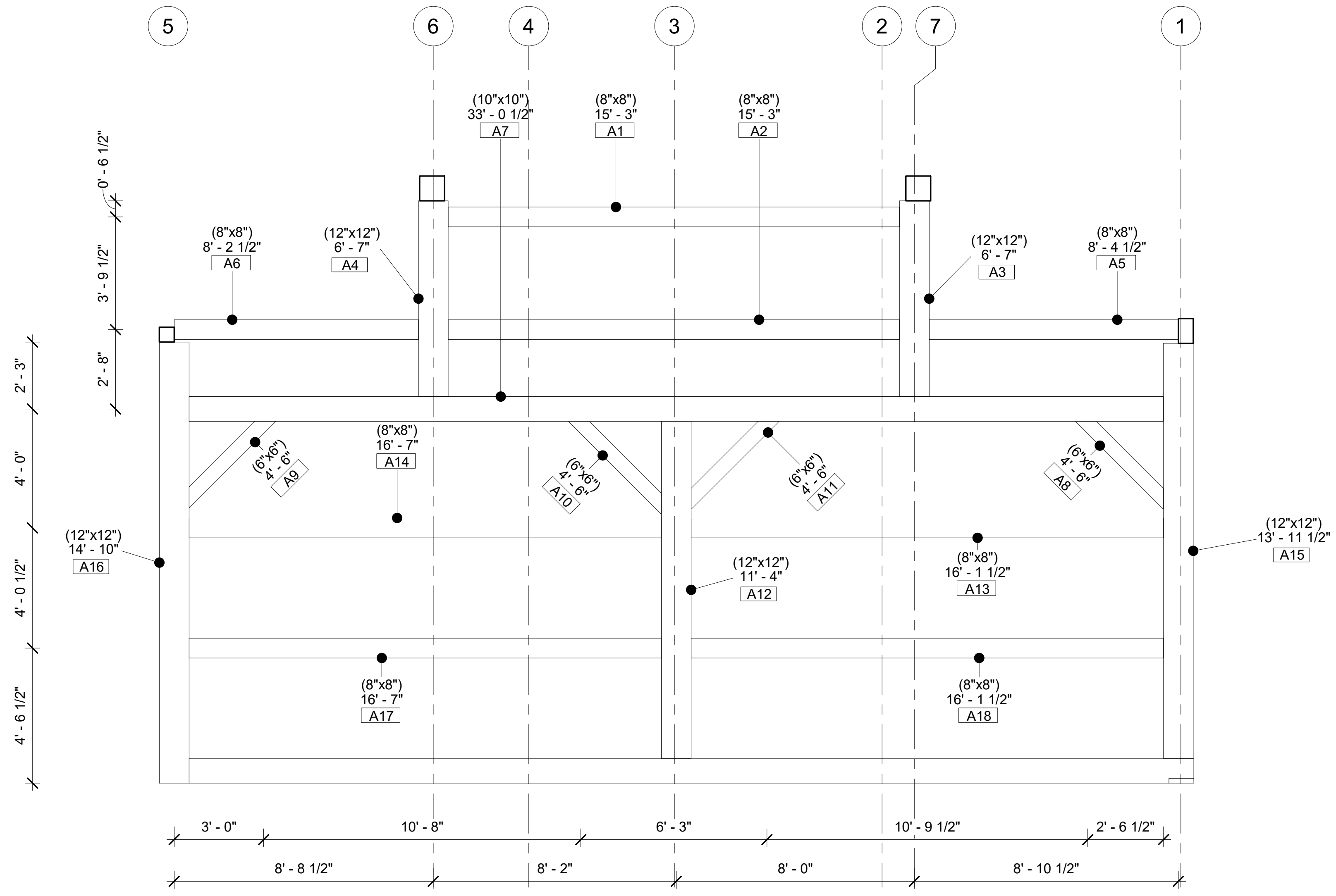


Timber Home Services LLC

Pine Grove Forge.

DAN TRIMBLE
AA66 / TIMBER HOME SERVICES
CELL PHONE/TEXT - 412-309-1161

EMAIL:
DANTRIMBLE@TIMBERHOMESERVICES.COM



Bent A

Project Number	Project 10
Date	20250328
Drawn By	
Checked By	

A103

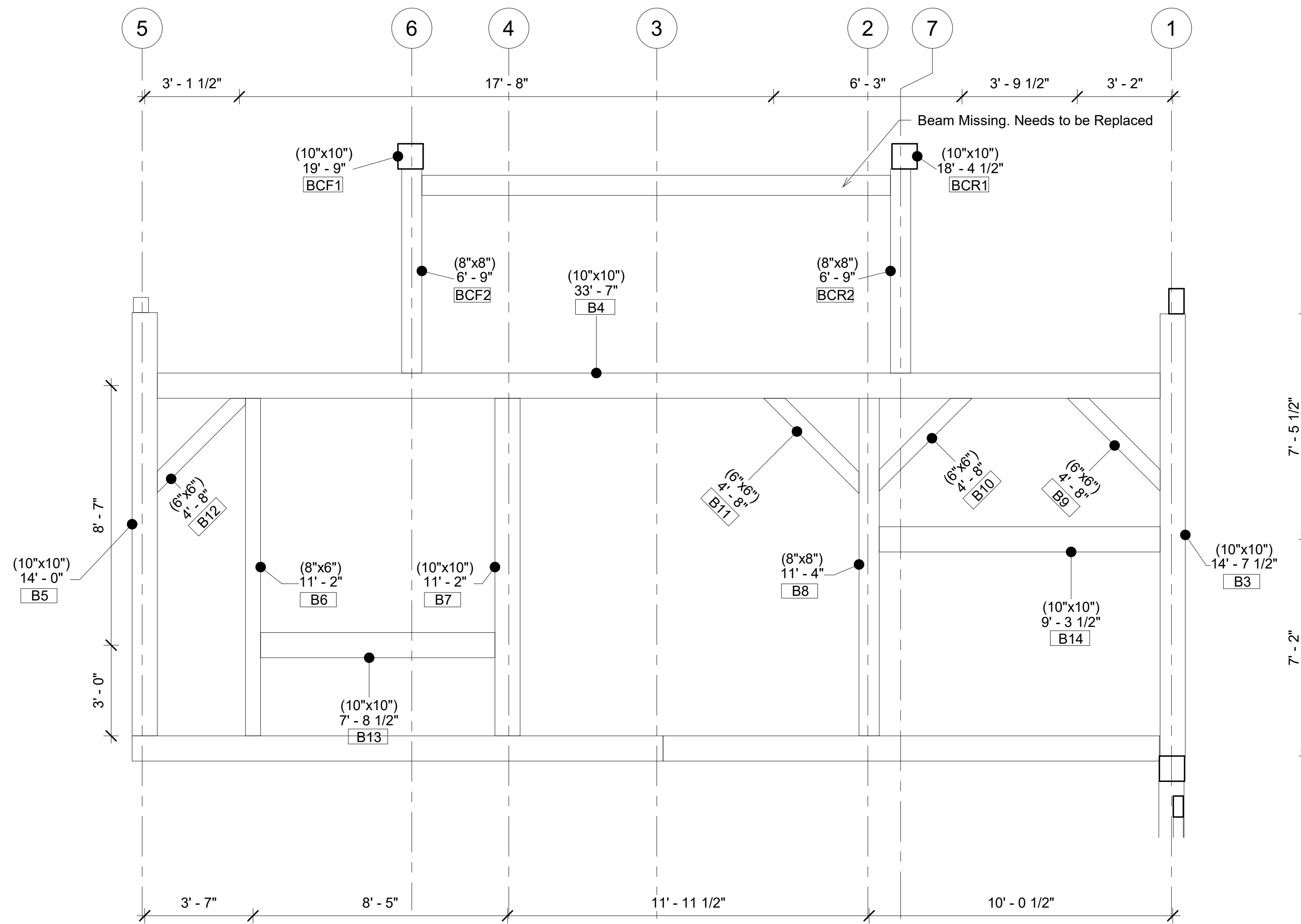
Scale 3/8" = 1'-0"

Timber Home Services LLC

Pine Grove Forge.

DAN TRIMBLE
AA66 / TIMBER HOME SERVICES
CELL PHONE/TEXT - 412-309-1161

EMAIL:
DANTRIMBLE@TIMBERHOMESERVICES.COM



Bent B

Project Number	Project 10
Date	20250328
Drawn By	
Checked By	

A104

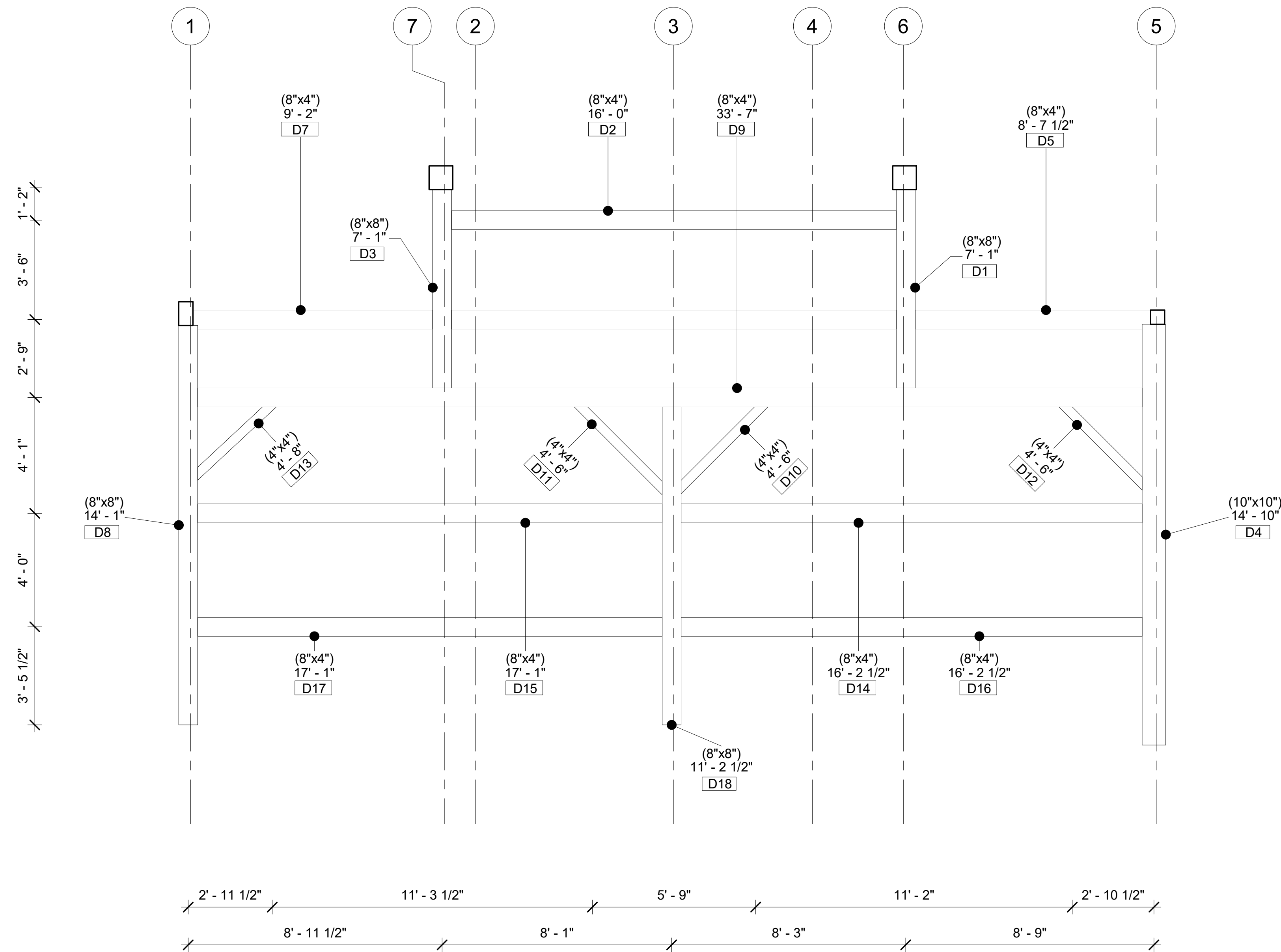
Scale 3/8" = 1'-0"

Timber Home Services LLC

Pine Grove Forge.

DAN TRIMBLE
AA66 / TIMBER HOME SERVICES
CELL PHONE/TEXT - 412-309-1161

EMAIL:
DANTRIMBLE@TIMBERHOMESERVICES.COM



Bent D

Project Number	Project 10
Date	20250328
Drawn By	
Checked By	

A106

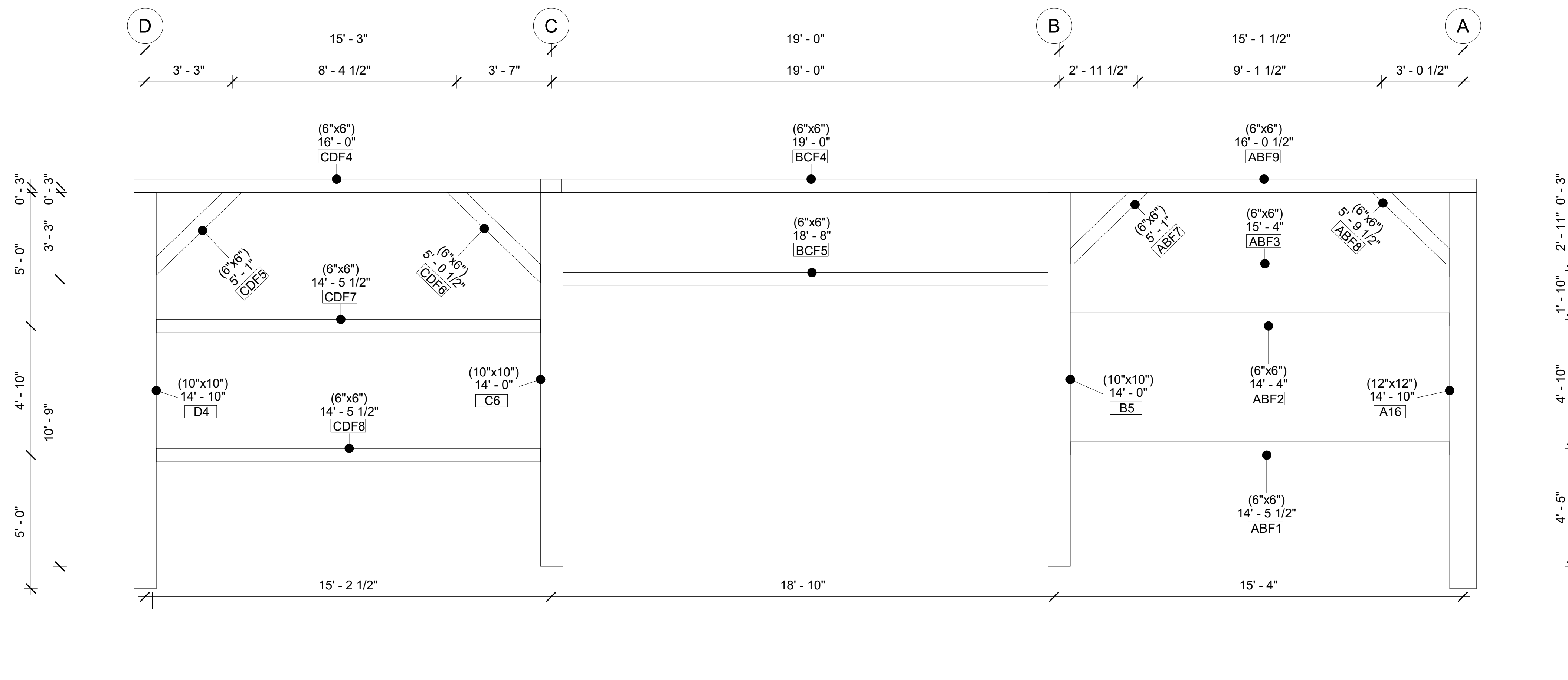
Scale 3/8" = 1'-0"

Timber Home Services LLC

Pine Grove Forge.

DAN TRIMBLE
AA66 / TIMBER HOME SERVICES
CELL PHONE/TEXT - 412-309-1161

EMAIL:
DANTRIMBLE@TIMBERHOMESERVICES.COM



Front bent 5

Project Number	Project 10
Date	20250328
Drawn By	
Checked By	

A107

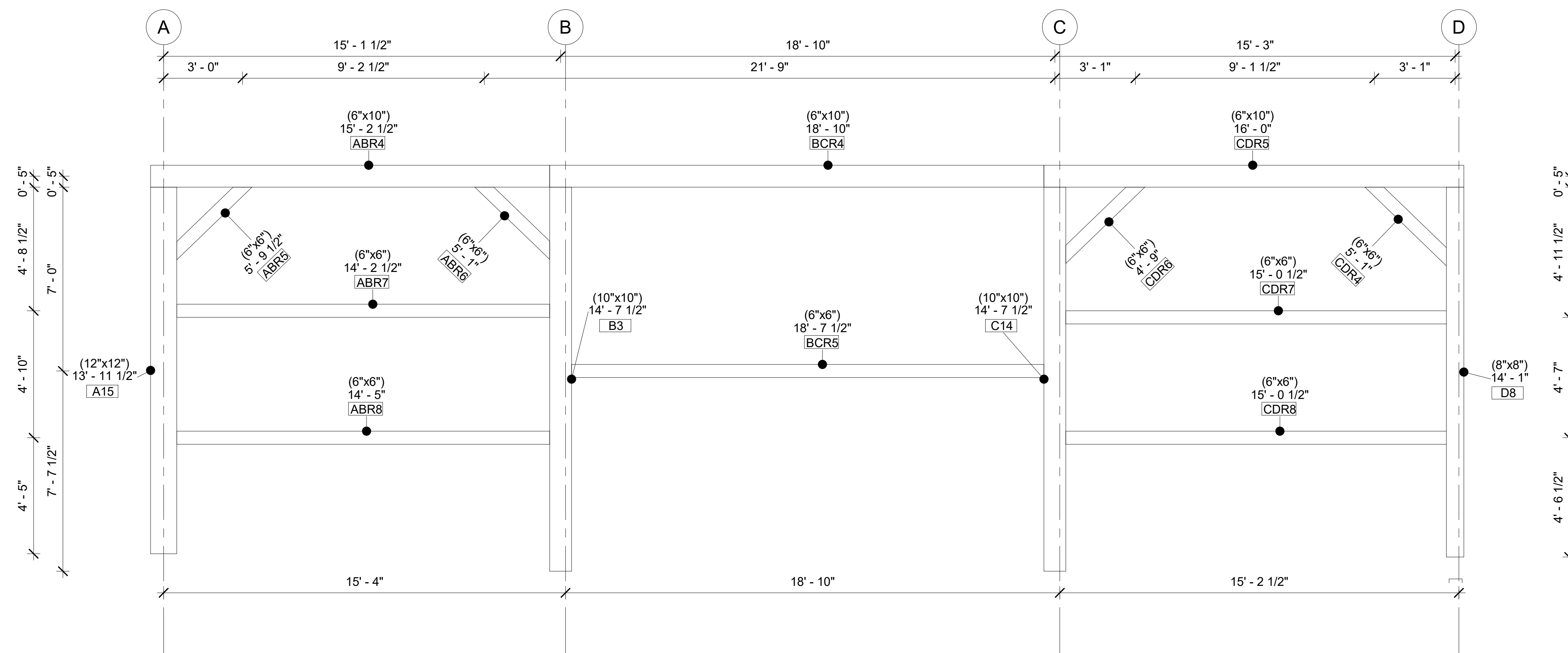
Scale 3/8" = 1'-0"

Timber Home Services LLC

Pine Grove Forge.

DAN TRIMBLE
AA66 / TIMBER HOME SERVICES
CELL PHONE/TEXT - 412-309-1161

EMAIL:
DANTRIMBLE@TIMBERHOMESERVICES.COM



Rear Bent 1

Project Number: Project 10
Date: 20250328
Drawn By:
Checked By:

A108

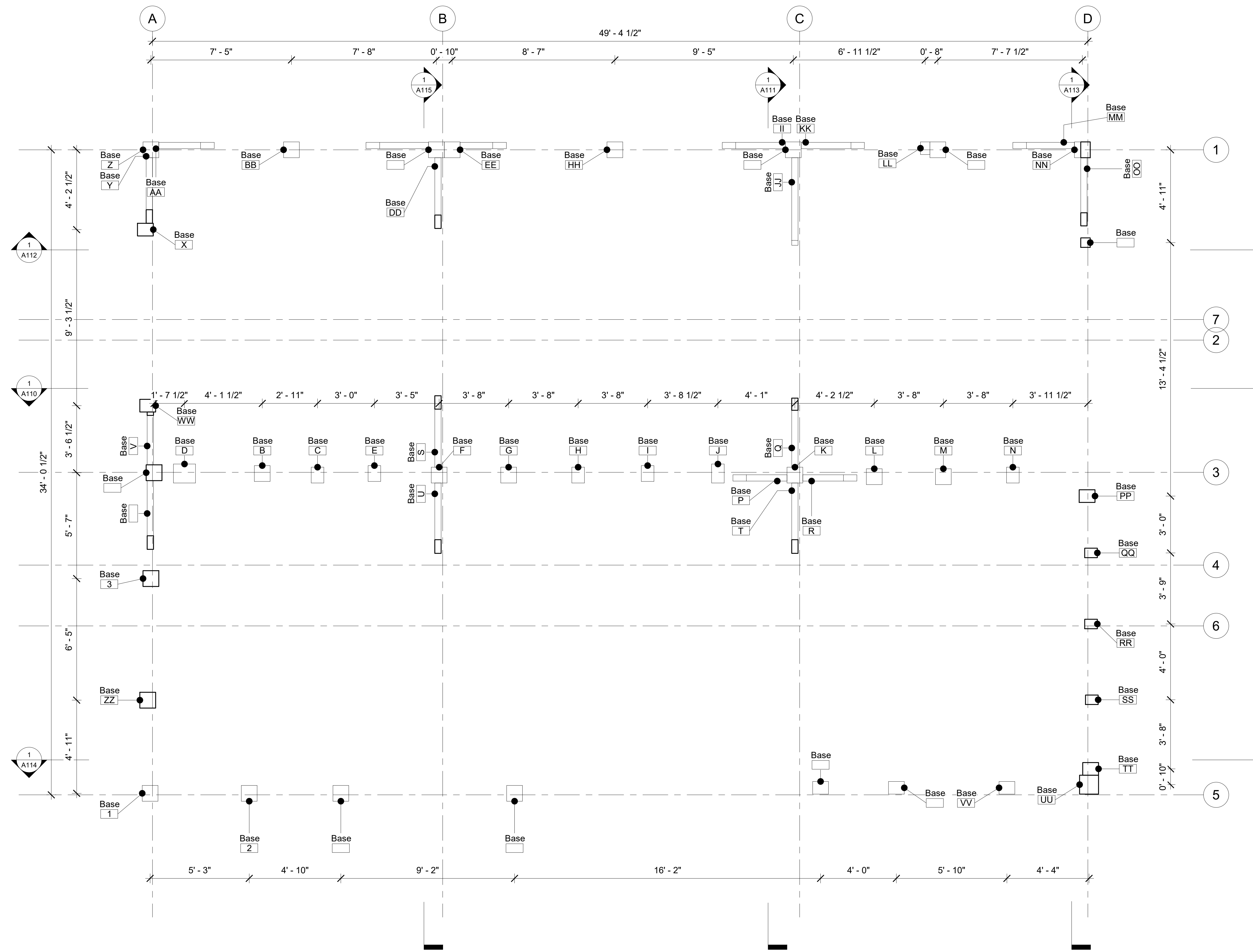
Scale: 3/8" = 1'-0"

Timber Home Services LLC

Pine Grove Forge.

DAN TRIMBLE
AA66 / TIMBER HOME SERVICES
CELL PHONE/TEXT - 412-309-1161

EMAIL:
DANTRIMBLE@TIMBERHOMESERVICES.COM



Floor Plan Lower Post

Project Number	Project 10
Date	20250328
Drawn By	
Checked By	

A109

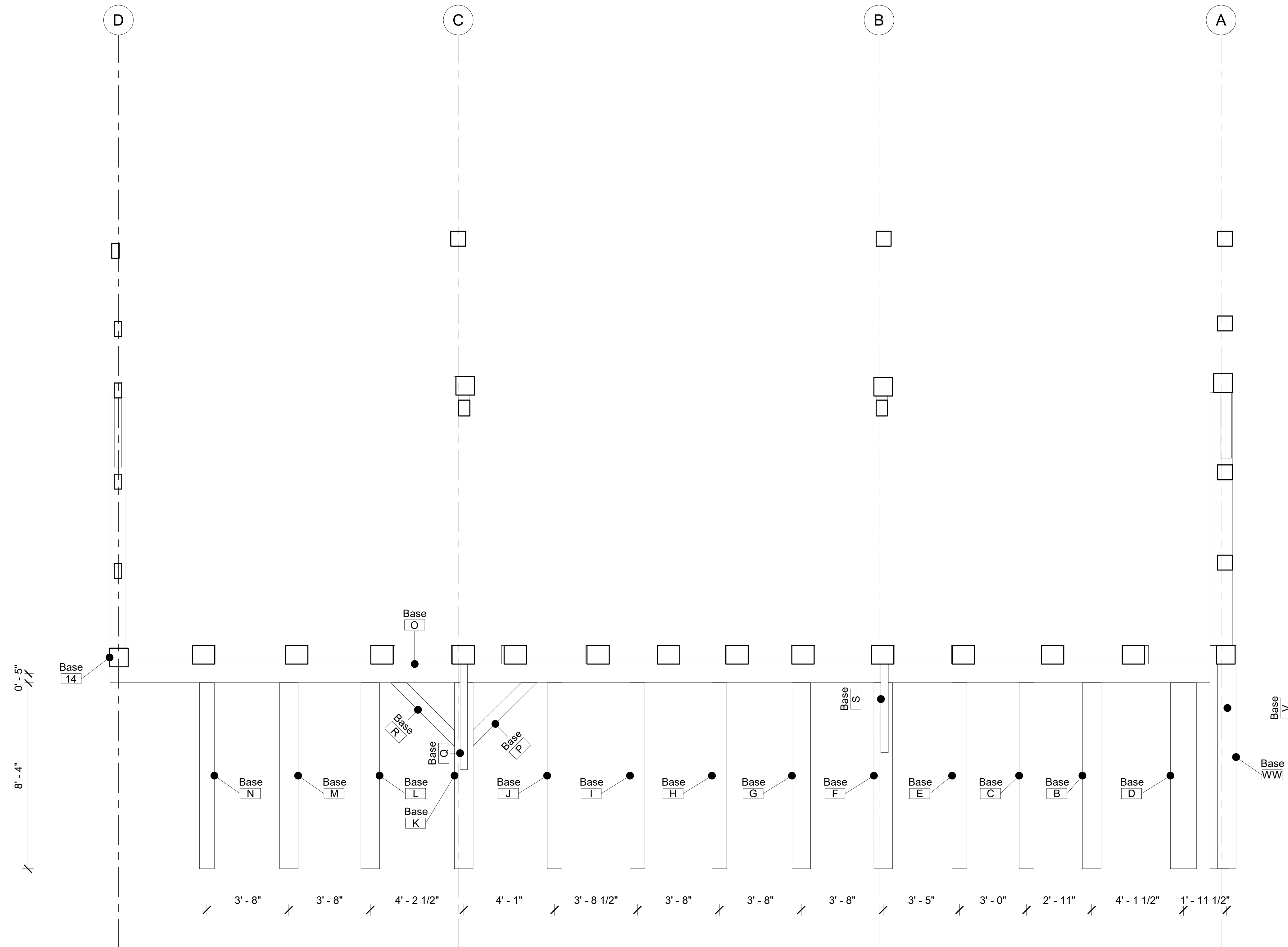
Scale 3/8" = 1'-0"

Timber Home Services LLC

Pine Grove Forge.

DAN TRIMBLE
AA66 / TIMBER HOME SERVICES
CELL PHONE/TEXT - 412-309-1161

EMAIL:
DANTRIMBLE@TIMBERHOMESERVICES.COM



Lower Bent 1

Project Number Project 10
Date 20250328
Drawn By
Checked By

A110

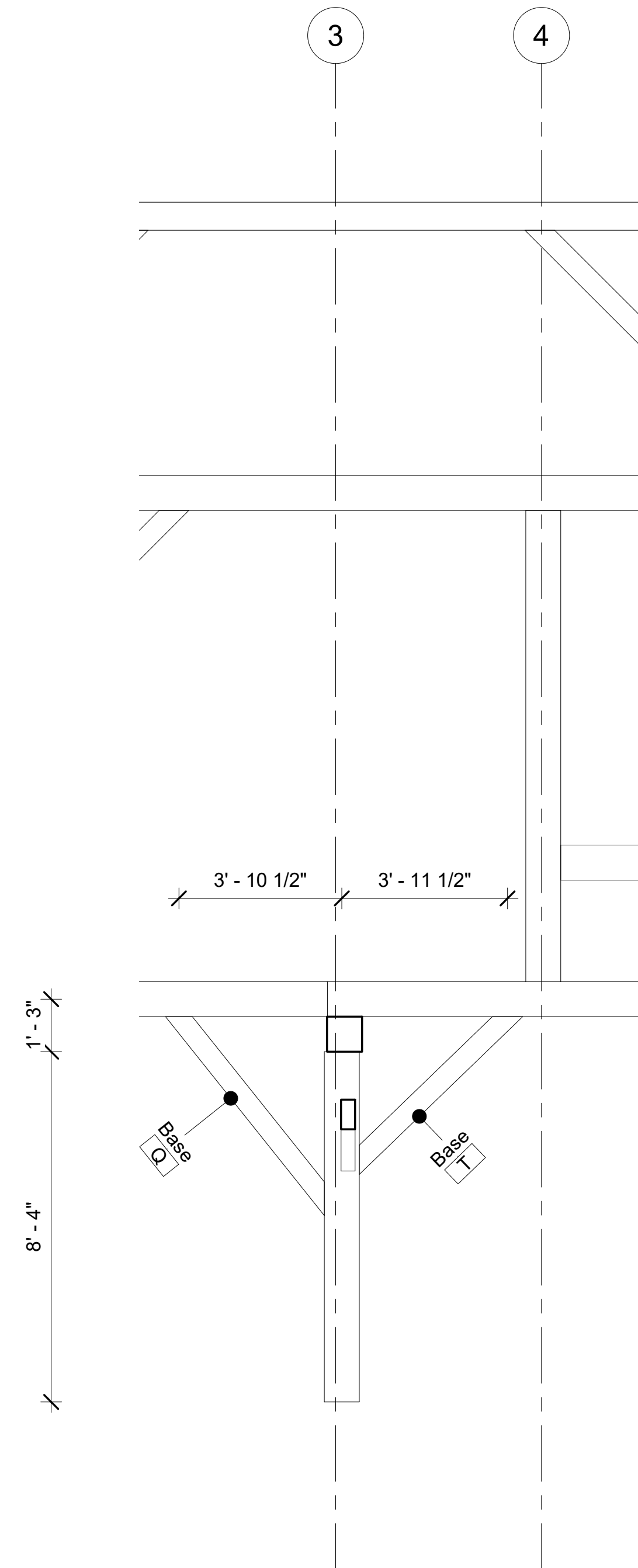
Scale 3/8" = 1'-0"

Timber Home Services LLC

Pine Grove Forge.

DAN TRIMBLE
AA66 / TIMBER HOME SERVICES
CELL PHONE/TEXT - 412-309-1161

EMAIL:
DANTRIMBLE@TIMBERHOMESERVICES.COM



Lower Bent 2

Project Number	Project 10
Date	20250328
Drawn By	
Checked By	

A111

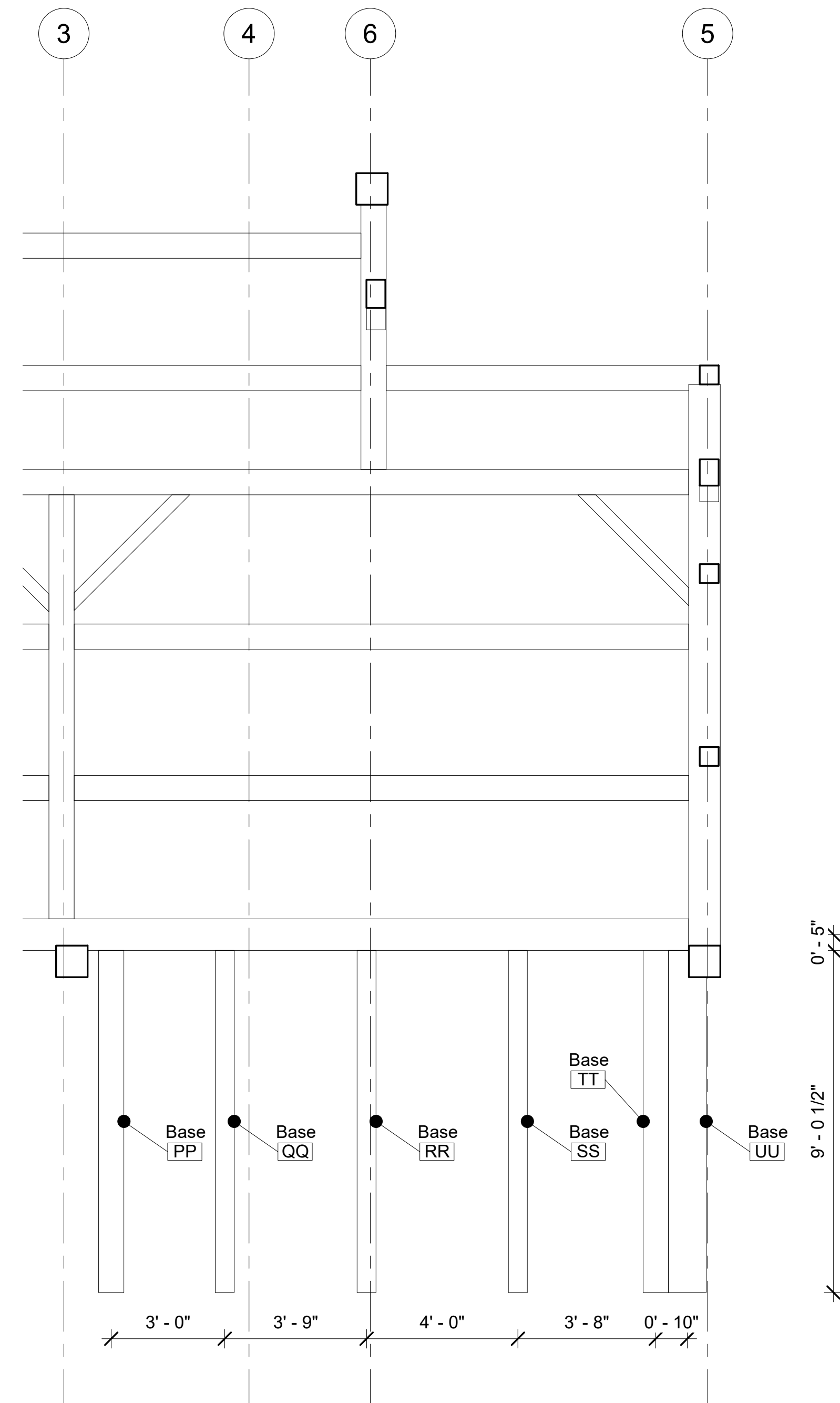
Scale 3/8" = 1'-0"

Timber Home Services LLC

Pine Grove Forge.

DAN TRIMBLE
AA66 / TIMBER HOME SERVICES
CELL PHONE/TEXT - 412-309-1161

EMAIL:
DANTRIMBLE@TIMBERHOMESERVICES.COM



Lower Bent 4

Project Number Project 10
Date 20250328
Drawn By
Checked By

A113

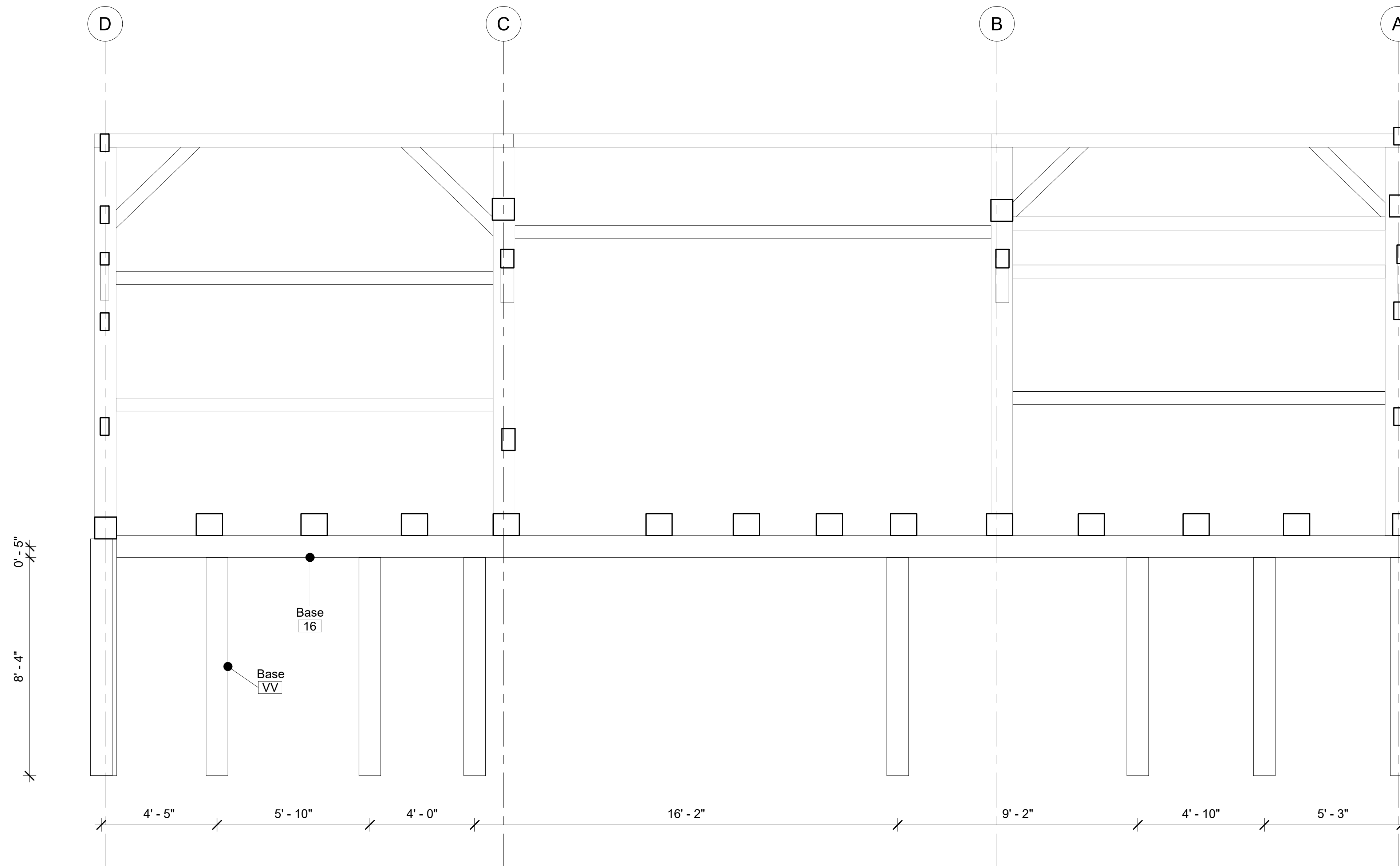
Scale 3/8" = 1'-0"

Timber Home Services LLC

Pine Grove Forge.

DAN TRIMBLE
AA66 / TIMBER HOME SERVICES
CELL PHONE/TEXT - 412-309-1161

EMAIL:
DANTRIMBLE@TIMBERHOMESERVICES.COM



Lower Bent 5

Project Number Project 10
Date 20250328
Drawn By
Checked By

A114

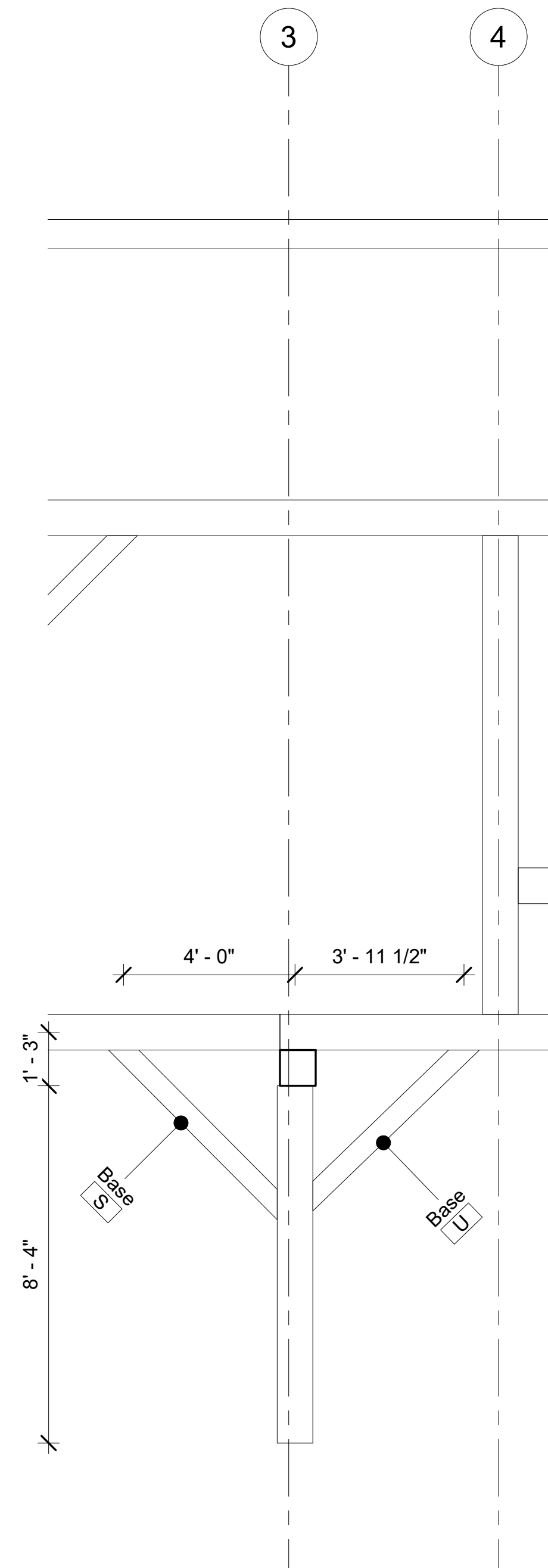
Scale 3/8" = 1'-0"

Timber Home Services LLC

Pine Grove Forge.

DAN TRIMBLE
AA66 / TIMBER HOME SERVICES
CELL PHONE/TEXT - 412-309-1161

EMAIL:
DANTRIMBLE@TIMBERHOMESERVICES.COM



Lower Bent 6

Project Number	Project 10
Date	20250328
Drawn By	
Checked By	

A115

Scale 3/8" = 1'-0"