

PR55 PRESSURE REDUCING VALVE

The PR55 series is a self-contained, non-venting, pilot-operated regulator that uses an outside pressure source to operate. This allows it to be used in liquid applications. It is designed for use in various pressure reducing applications. Typical applications include compressor suction control, and supply or distribution pressure control.

The PR55 is offered in 2", 3", 4", and 6" sizes. The 2" and 3" valve are available in both flanged and female NPT thread end connections. The flanged PR55 valves are pressure rated up to 250 psi, and the threaded end valves are rated up to 300 psi.

Maintenance is made simple via removing the bonnet to reveal the seat, allowing the valve body to remain in place during maintenance.

SPECIFICATIONS

Sizes:

- 2", 3", 4" and 6"

Connections:

- Female NPT
- Flanged

Body Type:

- Globe

Trim:

- Soft Seat

Shutoff:

- Class VI

Pressure Rating:

- 300 psi - 2", 3" NPT
- 250 psi - 2", 3", 4", 6" Flanged

Minimum Differential:

- 0.5 oz

Spring Range:

- 5-150 psi
- 10-300 psi

Temperature Range:

- -20° F to 250° F

MATERIALS

Body, Bonnet, and Hub Material:

- Ductile Iron

Spring Cover:

- Carbon Steel

Seat, Stem, & Plus Tip:

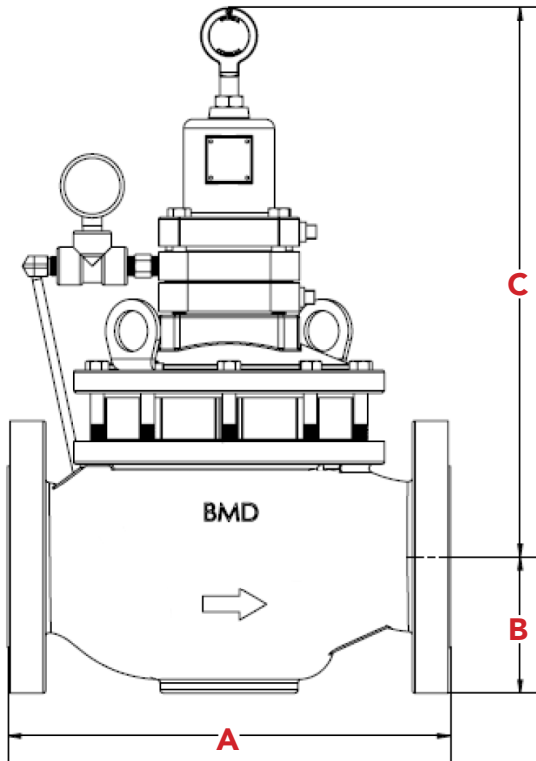
- SST

CV VALUES

2"	3"	4"	6"
53	117	209	491



DIMENSIONS & WEIGHTS (5 - 300 PSI)



VALVE WEIGHTS

VALVE SIZE	END CONNECTION	LBS	KG
2"	NPT	39	18
	ANSI 150	43	20
3"	NPT	68	31
	ANSI 150	84	38
4"	ANSI 150	127	58
6"	ANSI 150	348	158

BODY DIMENSIONS

VALVE SIZE	END CONNECTION	A	B	C
2"	NPT	8.50	2.38	13.56
	ANSI 150	9.00	2.88	13.56
3"	NPT	12.06	3.75	14.50
	ANSI 150	12.19	3.75	14.50
4"	ANSI 150	15.06	4.44	15.21
6"	ANSI 150	22.00	5.63	21.30

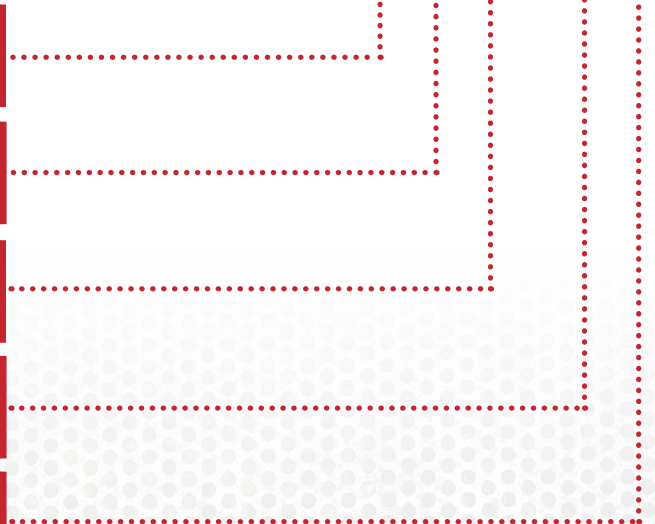
HOW TO ORDER

EXAMPLE MODEL NO. **PR55-2N1-5F**

PR55 Series Pressure Regulating Valve, 2", NPT End Connection, Standard Service, 5-150 psi spring, Full Port.

PR55 - 2 N 1 - 5 F
SERIES

BODY SIZE	2 - 2"	3 - 3"	4 - 4"	6 - 6"
CONNECTION	N - NPT (2", & 3" Only)		F - RFF	
SERVICE	1 - Standard		2 - NACE	
SPRING	5 - 5-150 psi spring		6 - 10-300 psi spring	
TRIM	F - Full Port		R - Reduced Port	



BEAUMONTMANUFACTURING.COM

PHONE: 409.225.5863

850 FANNIN STREET, BEAUMONT, TEXAS 77701

03/2026

