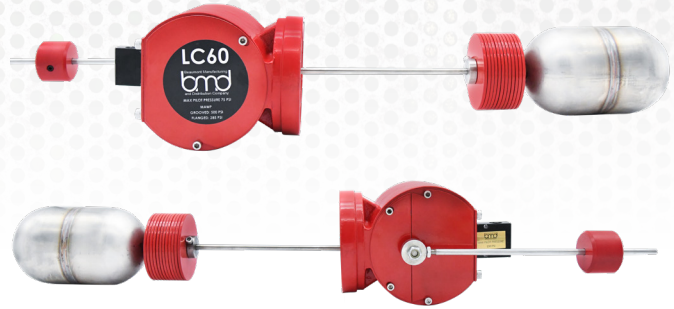


# LC60 LIQUID LEVEL CONTROLLER

The LC60 is a float operated liquid level control with a wide adjustable span. The high and low trigger points are independently adjustable and can be easily accessed by simply removing the cover. It has a maximum working pressure of 500 psi, making it a great choice for low to medium pressure applications. When ordered with the interface option, the LC60 can be used to control the level between two liquids.

The LC60 contains a replaceable 3-way block and bleed pilot featuring a soft seat for a bubble tight shutoff. It is available in 4" flanged and grooved connection sizes. Three stainless steel float sizes are available with other sizes and arm lengths by request. For sour service a NACE option is available. An Electric option is also available.



## SPECIFICATIONS

### Sizes:

- Flanged: 4"-150
- Grooved: 4"

### Pressure Rating:

- Flanged: 285 psi
- Grooved: 500 psi

### Temperature Range:

- -20° F to 400° F (-29° C to 204° C)

### Pilot Connections:

- 1/4" NPT

### Max Pilot Pressure:

- 75 psi

### Electric Specifications:

- Current Rating 15A, 480 VAC, 250 VDC

## MATERIALS

### Body:

- Ductile Iron

### Float:

- Stainless Steel

### Arm:

- Stainless Steel

### Shaft:

- Stainless Steel

### Bushings:

- Brass
- Stainless Steel (Optional)

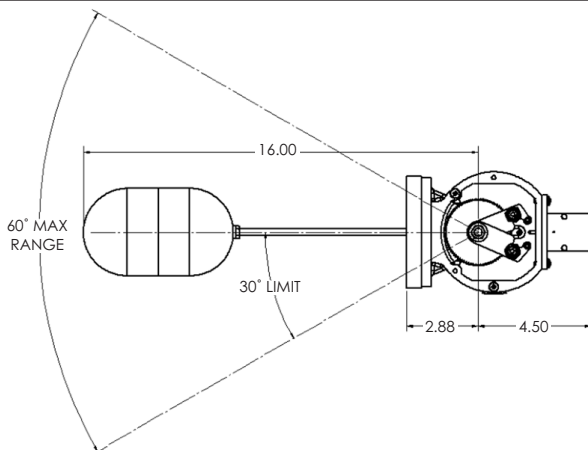
### Seals:

- Buna
- Viton® (Optional)

### Pilot Body:

- Aluminum

## DIMENSIONS



## HOW TO ORDER

### EXAMPLE MODEL NO. LC60P-G113

LC60 Series Liquid Level Controller,  
Pneumatic, 4" Grooved Connection,  
Standard Service, 10" Arm, 3 1/2" X 6"  
SST Float.

## LC60P-G113 SERIES

### TYPE

**P** - Pneumatic

**E** - Electric

### CONNECTION

**F** - 4"-150 Flanged

**G** - 4" Grooved

### MATERIALS

**1** - Standard

**2** - NACE

### ARM LENGTH

**1** - 10" (Std.)

**6** - 6" (Opt.)

**8** - 18" (Interface)

### FLOAT SIZE

**3** - 3 1/2" X 6" SST (Std.)

**4** - 3 1/2" X 12" (Interface)

**2** - 2" X 6" SST (Opt.)

### ADDITIONAL OPTION

**BLANK** - Nothing

**I** - Interface