

CV24 Control Valve

The CV24 is a rugged, compact, control valve featuring a 2" body and field reversible actuator. Typical installations include separators, scrubbers, treaters, and other production vessels.

The CV24 makes maintenance easy by allowing the topworks to be removed without taking the valve out of line. The CV24 trim is available in a variety of sizes and materials depending on service conditions.

Specifications

Connection: 2" Female NPT

Body Type: Globe, Angle

Trim Characteristic: Equal Percent, Linear, Quick Open

Trim Size: 0.25" (1/4), 0.375" (3/8"), 0.438 (7/16), 0.625 (5/8), 0.50" (1/2), 0.75" (3/4), 0.875 (7/8), 1.0", 1.5"

Stem Travel: 0.75"

Pressure Rating: Up to 6000 psi

Temperature Range: -40° F to 400° F
 (-40° C to 204° C)

Shutoff: ANSI Class IV

Actuator Size: No. 65 (65 in² area)

Input Signal: 10, 20, or 30 psi springs

Materials:

Body: A352 LCC Steel

Trim:

Standard: 440C Stainless / D2 Tool Steel Seat

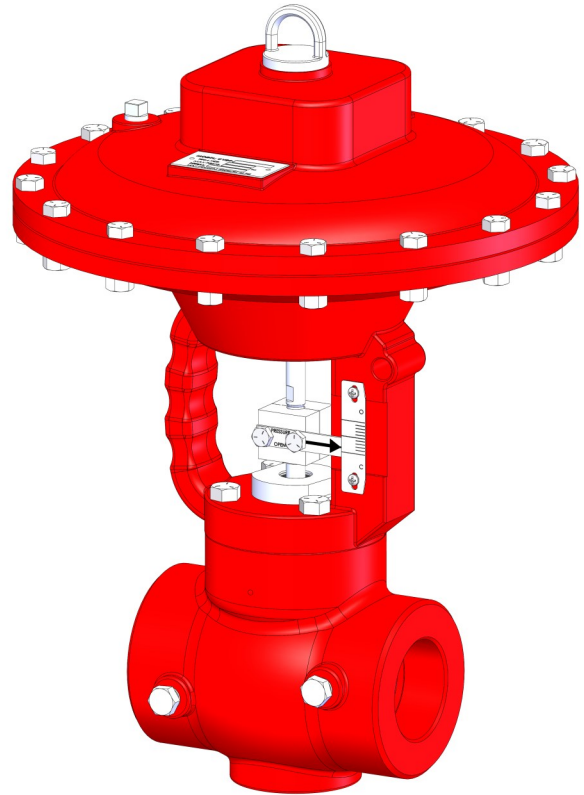
Corrosive: 316 Stainless / 304 Stainless Seat

Erosive: Carbide/Carbide Seat

Stem: 304 Stainless

Actuator Housing: Ductile Iron

Approximate Weight: 77 lbs.

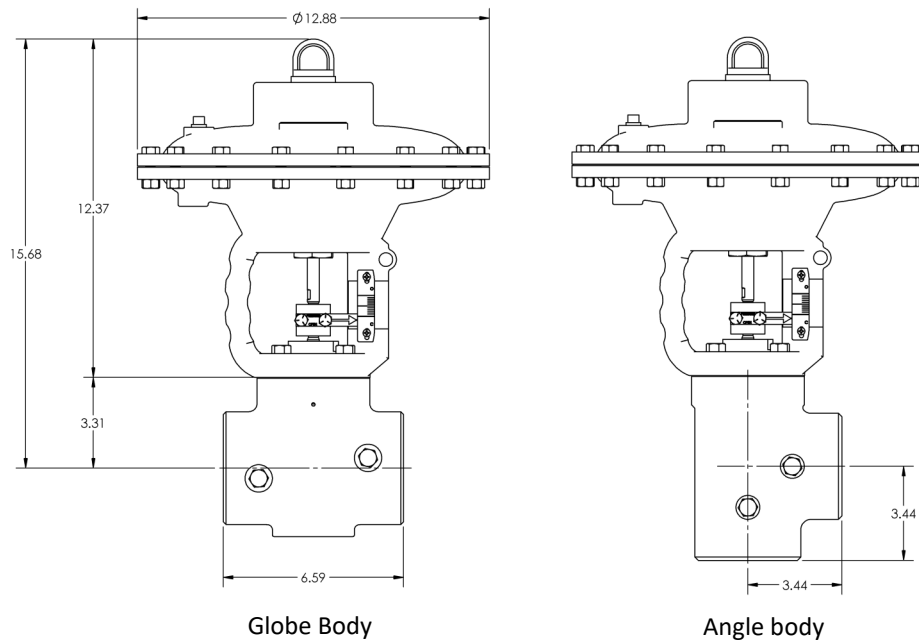


Cv Values

Cv Values at 100% Open		
Trim Type	Trim size	Cv
Linear	0.25	3
	0.375	4
	0.5	7.2
	0.75	12
	1	21
Equal Percent	0.25	1.72
	0.438	5.4
	0.63	10.8
	0.88	17
Quick Open (Carbide)	0.25	1.87
	0.375	3.84
	0.5	6.63
	0.75	10.9
	1	15.8
	*1.5	29.8

*CV24F 1.5" trim only available in SST

Dimensions



How to Order

Example Model No. **CV24-GN50D2-CB-041L**

CV24 Series Control Valve, Globe Body, NPT, 2000 psi, Direct Actuator, 20 psi spring, Carbon Steel with Buna Seals, 0.25", Standard Service, Linear Trim

Style
CV24 CV24F^{1 2}

CV24 - G N 50 D 2 - C B - 04 1 L

Body		
G - Globe	A - Angle	
Connection		
N - NPT (female)	F - RFF	
Class		
50 - NPT (2000 psi)	55 - NPT (4000/6000) psi	10 - 150
30 - 300	60 - 600	15 - 900/1500
Actuator		
D - Direct (Fail Open)	R - Reverse (Fail Close)	
Spring		
2 - 20 psi	3 - 30 psi	
Materials		
C - Carbon Steel	N - Carbon Steel NACE	L - Low Temp Carbon Steel
Seals		
B - Buna	V - Viton®	L - Low Temp HNBR
Trim Size*²		
04 - 0.25"	06 - 0.375"	07 - 0.438"
08 - 0.50"	10 - 0.625"	12 - 0.75"
14 - 0.875"	16 - 1.0"	24 - 1.5" ²
Service		
1 - Standard Service	2 - Corrosive Service	3 - Erosive Service (Carbide)
Trim Type		
L - Linear	E - Equal Percent	Q - Quick Open (Carbide)

- *See Cv Values Chart for trim size/type combinations
- ¹ Only available with 1.5" QO SST trim
- ² 1.5" trim limited to 300 psi
- Repair kits available

Beaumont Manufacturing

 and Distribution Company
 www.beaumontmanufacturing.co

Phone: 409-225-5863
 Fax: 409-242-1005
 850 Fannin St.
 Beaumont, Texas 77701