

BP55 BACK PRESSURE REDUCING VALVE

The BP55 is a pilot-operated regulator that uses an outside pressure source to operate. Using air or nitrogen as a supply gas allows the BP55 to be an emissions free device. Applications include vent lines, separators, heat treaters, compressor stations, gas gathering systems, and any other application where back pressure needs to be maintained.

The BP55 is offered in 1", 2", 3", 4", and 6" sizes. The 1" is available in NPT only, and the 2" and 3" valve are available in both flanged and female NPT thread end connections. The flanged BP55 valves are pressure rated up to 250 psi, and the threaded end valves are rated up to 300 psi.

Maintenance is made simple via removing the bonnet to reveal the seat, allowing the valve body to remain in place during maintenance.

SPECIFICATIONS

- Sizes:**
 • 1", 2", 3", 4" and 6"
- Connections:**
 • Female NPT
 • Flanged
- Body Type:**
 • Globe
- Trim:**
 • Soft Seat
- Shutoff:**
 • Class VI
- Pressure Rating:**
 • 300 psi - 1", 2", 3" NPT
 • 250 psi - 2", 3", 4", 6" Flanged

- Minimum Setpoint:**
 • 0.5 oz
- Spring Range:**
 • 0.5 oz - 2.5 psi
 • 1 oz - 5 psi
 • 1 - 20 psi
 • 5 - 20 psi
 • 10 - 300 psi
- Temperature Range:**
 • -20° F to 250° F

MATERIALS

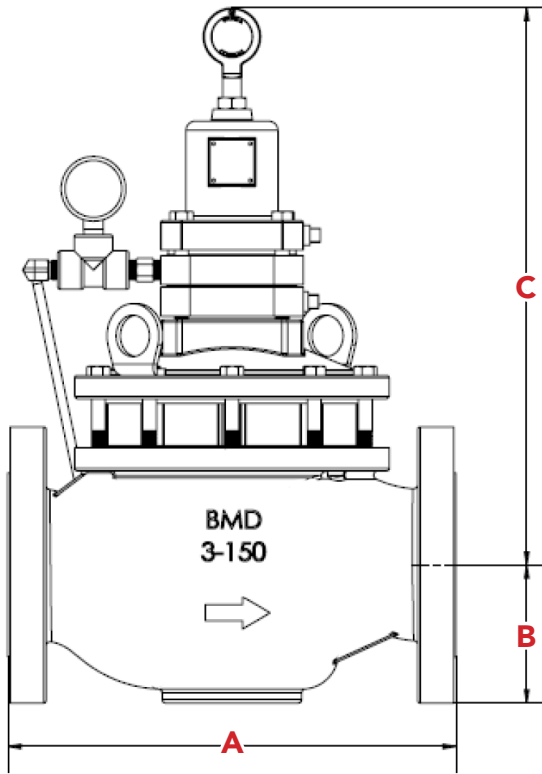
- Body, Bonnet, and Hub Material:**
 • Ductile Iron
- Seat, Stem, & Plus Tip:**
 • SST
- Spring Cover:**
 • Carbon Steel

CV VALUES

1"	2"	3"	4"	6"
13	53	117	209	491



DIMENSIONS & WEIGHTS (5 - 300 PSI)



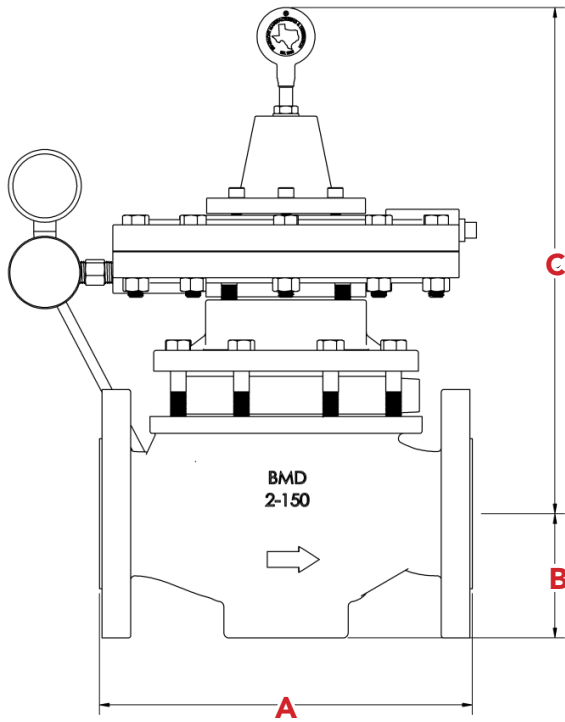
VALVE WEIGHTS

VALVE SIZE	END CONNECTION	LBS	KG
1"	NPT	9	4
2"	NPT	39	18
	ANSI 150	43	20
3"	NPT	68	31
	ANSI 150	84	38
4"	ANSI 150	127	58
6"	ANSI 150	348	158

BODY DIMENSIONS

VALVE SIZE	END CONNECTION	A	B	C
1"	NPT	4.38	1.13	12.53
2"	NPT	8.50	2.38	13.56
	ANSI 150	9.00	2.88	13.56
3"	NPT	12.06	3.75	14.50
	ANSI 150	12.19	3.75	14.50
4"	ANSI 150	15.06	4.44	15.21
6"	ANSI 150	22.00	5.63	21.30

DIMENSIONS & WEIGHTS - LOW PRESSURE (0.5 OZ - 20 PSI)



VALVE WEIGHTS

VALVE SIZE	END CONNECTION	LBS	KG
2"	NPT	58	27
	ANSI 150	62	28
3"	NPT	87	39
	ANSI 150	103	46
4"	ANSI 150	146	67
6"	ANSI 150	367	167

BODY DIMENSIONS

VALVE SIZE	END CONNECTION	A	B	C
2"	NPT	8.50	2.38	13.13
	ANSI 150	9.00	2.88	13.13
3"	NPT	12.06	3.75	14.27
	ANSI 150	12.19	3.75	14.27
4"	ANSI 150	15.06	4.44	14.78
6"	ANSI 150	22.00	5.63	20.51

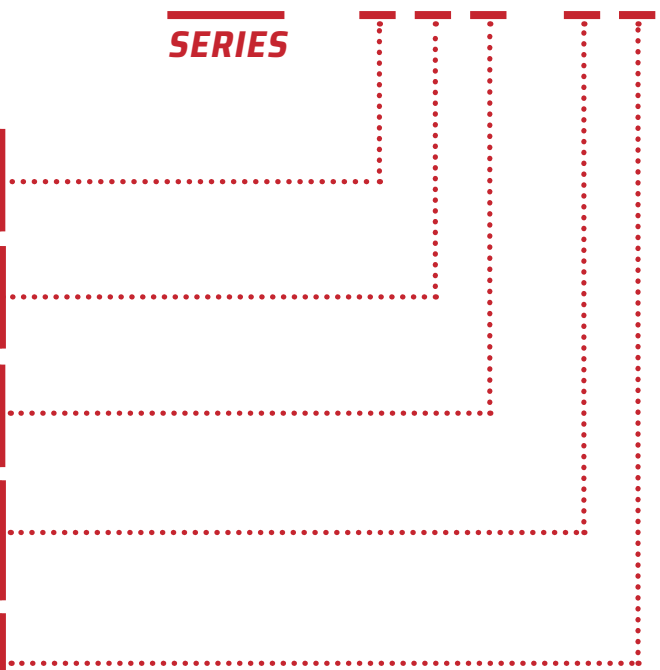
HOW TO ORDER

EXAMPLE MODEL NO. **BP55-2N1-5F**

BP55 Series Back Pressure Valve, 2" Globe Body, NPT End Connection, Standard Service, 5-150 psi spring, Full Port.

BP55 - **2** **N** **1** - **5** **F**
SERIES

BODY SIZE	
1 - 1"	2 - 2" 3 - 3" 4 - 4" 6 - 6"
CONNECTION	
N - NPT (1", 2", & 3" Only)	F - RFF*
SERVICE	
1 - Standard	2 - NACE
SPRING	
1 - 0.5 oz-2.5 psi spring*	3 - 1-20 psi spring* 5 - 5-150 psi spring*
2 - 1 oz-5 psi spring*	4 - 5-20 psi spring* 6 - 10-300 psi spring
TRIM	
F - Full Port	R - Reduced Port



*Not Available in 1" Body Size

BEAUMONTMANUFACTURING.COM

PHONE: 409.225.5863
 850 FANNIN STREET, BEAUMONT, TEXAS 77701

03/2026

