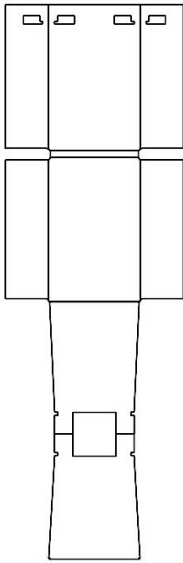
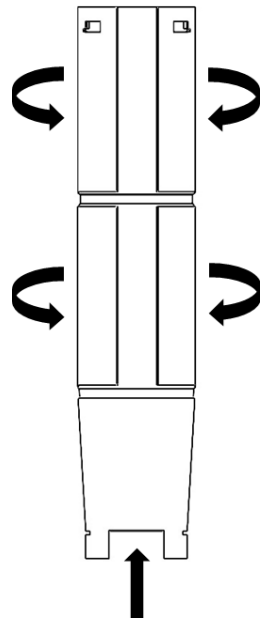


**Foldable Stand For Over-Ear (Headband) Headphones & a Mobile Phone:**

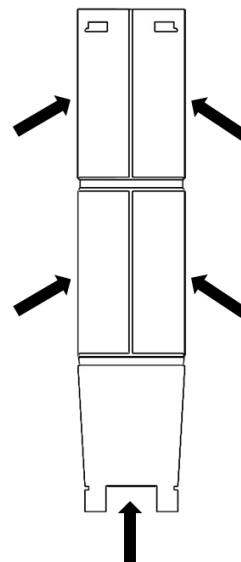
1- Base/Open Position:



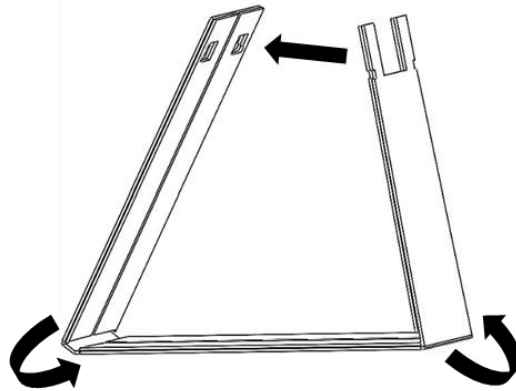
2- Fold the sides inward:



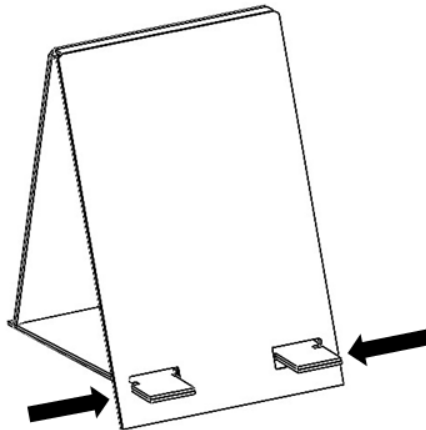
3- Fold the sides all the way inward:



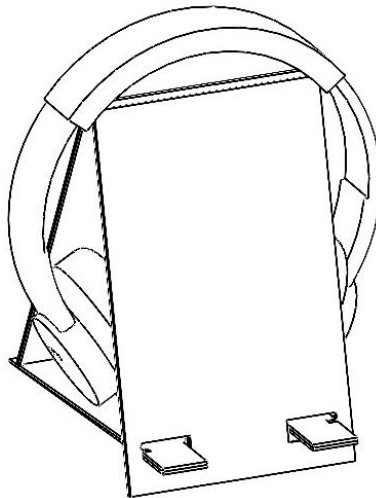
4- Folded position - the tabs fit into the holes:



5- Lock the folds toward the shorter/reduced section:



6- Place the over-ear headphones on the stand's legs:



7- Final product with headphones in an additional position:

