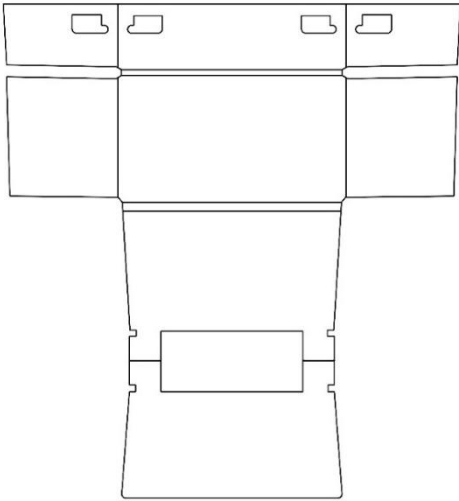
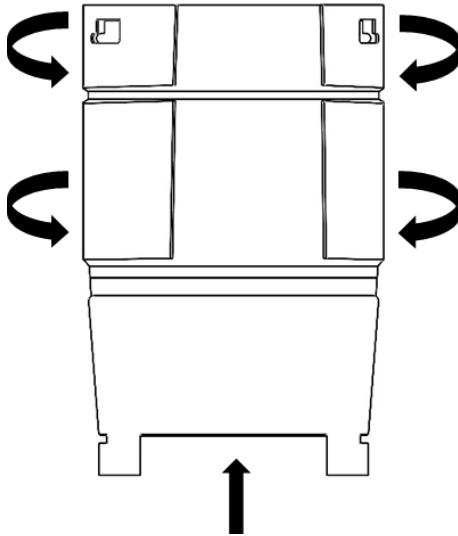


Laptop Riser Stand:

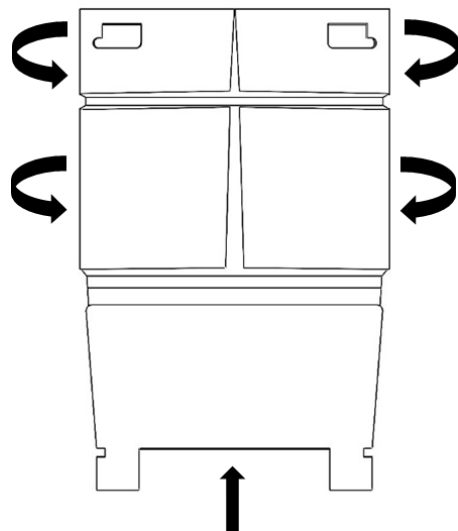
1- Open position:



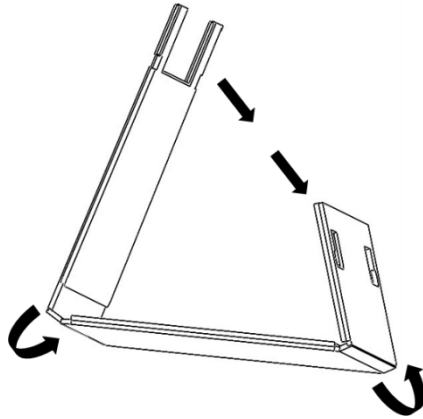
2 -Fold the sides inward:



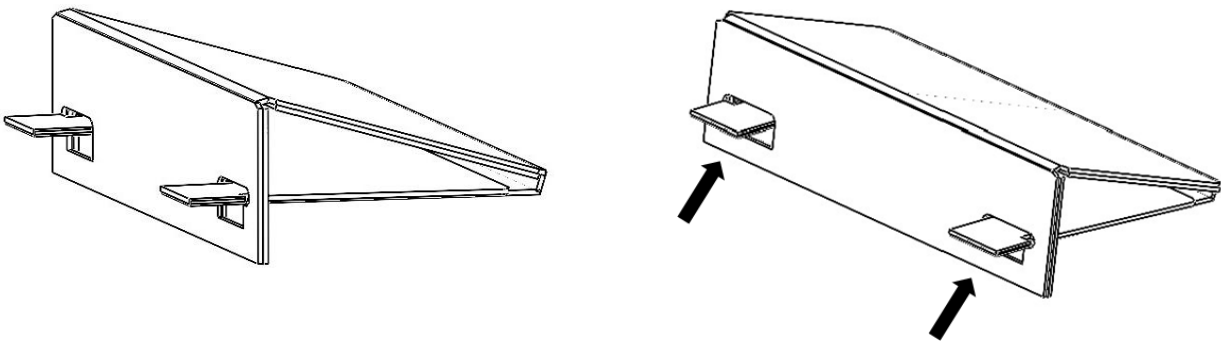
3- Fully fold and tuck the sides inward:



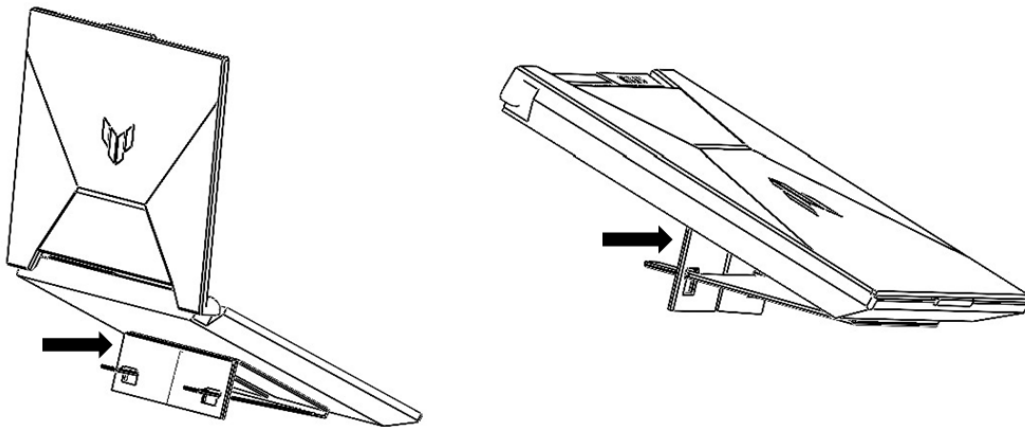
4- Folded position - the tabs fit into the holes:



5- Lock the folds toward the shorter/compact section:



6- Laptop on the riser stand:



7- Photos of the actual product (folded and ready to use):

