

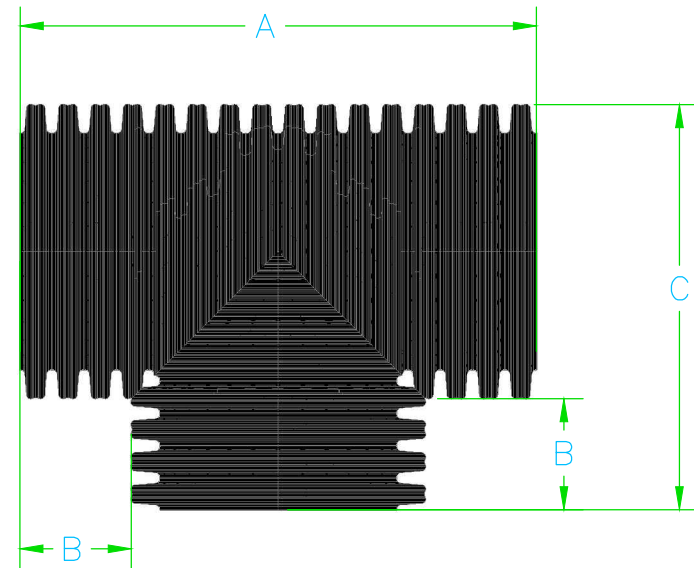
# MaXflo HDPE TEE STANDARD DESIGN



### JOINT TYPES:

- EXTERNAL SPLIT COUPLERS - SOIL TIGHT
- BELL X BELL SEAL TIGHT COUPLER - SOIL TIGHT
- BELL X BELL SEAL TIGHT COUPLER W/ STAINLESS STEEL STRAPS - WATERTIGHT
- POLYSEAL MAR MAC COUPLER - WATERTIGHT

\*FITTINGS ARE FABRICATED FROM TIMEWELL MAXFLO CORRUGATED HDPE DUAL WALL PIPE CONFORMING TO AASHTO M252 & M294.



SIZE	A	B	C	PART #
4"	12.5"	4.0"	8.5"	31004-T
6"	15.0"	5.0"	12.0"	31006-T
8"	21.0"	6.5"	15.5"	31008-T
10"	27.0"	7.0"	18.5"	31010-T
12"	28.5"	8.0"	22.5"	31012-T
15"	34"	8.5"	26.0"	31015-T
18"	39.0"	9.0"	30.0"	31018-T
24"	47.0"	10.5"	38.0"	31024-T
30"	57.5"	12.0"	48.0"	31030-T
36"	60.0"	12.5"	54.0"	31036-T
42"	74.0"	13.5"	60.5"	31042-T
48"	77.0"	14.0"	68.0"	31048-T

\*FITTING DIMENSIONS ARE FOR REFERENCE ONLY.

REV	DESCRIPTION	BY	DATE	CHK'D
1	DETAILS AND NOTES	BMH	12/2019	

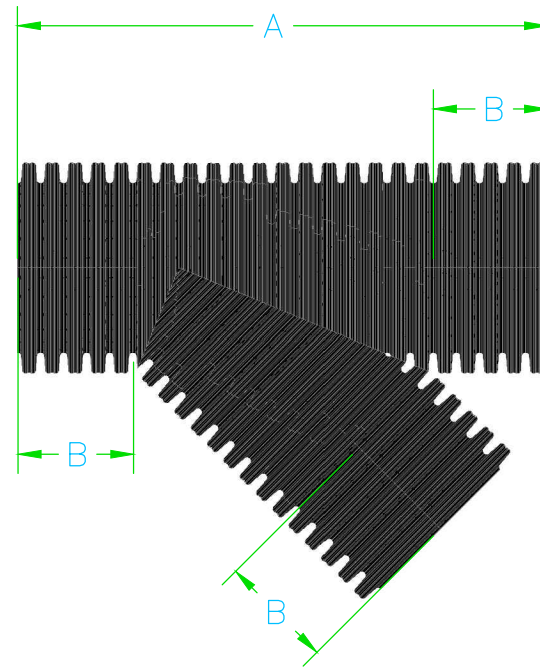
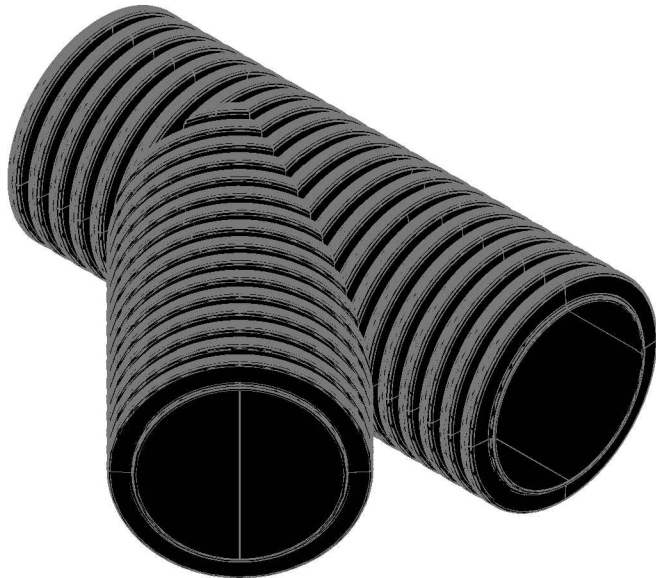
## MaXflo HDPE TEE STANDARD DESIGN

DRAWING NUMBER:



DRAWN BY:	BMH
DATE:	11/30/2011
CHECKED BY:	-
SCALE:	NTS
SHEET:	1 Of 1

# MaXflo HDPE WYE STANDARD DESIGN



**JOINT TYPES:**

- EXTERNAL SPLIT COUPLERS - SOIL TIGHT
- BELL X BELL SEAL TIGHT COUPLER - SOIL TIGHT
- BELL X BELL SEAL TIGHT COUPLER W/ STAINLESS STEEL STRAPS - WATERTIGHT
- POLYSEAL MAR MAC COUPLER - WATERTIGHT

\*FITTINGS ARE FABRICATED FROM TIMEWELL MAXFLO CORRUGATED HDPE DUAL WALL PIPE CONFORMING TO AASHTO M252 & M294.

SIZE	A	B	PART #
4"	14.5"	4.5"	35004-04DWWYE
6"	19.0"	5.5"	35006-06DWWYE
8"	26.5"	6.5"	35008-08DWWYE
10"	33.0"	7.5"	35010-10DWWYE
12"	33.5"	8.5"	35012-12DWWYE
15"	46.0"	9.5"	35015-15DWWYE
18"	49.0"	10.0"	35018-18DWWYE
24"	64.5"	11.0"	35024-24DWWYE

\*FITTING DIMENSIONS ARE FOR REFERENCE ONLY.

REV	DESCRIPTION	BY	DATE	CHK'D
1	DETAILS AND NOTES	BMH	1/2/2019	

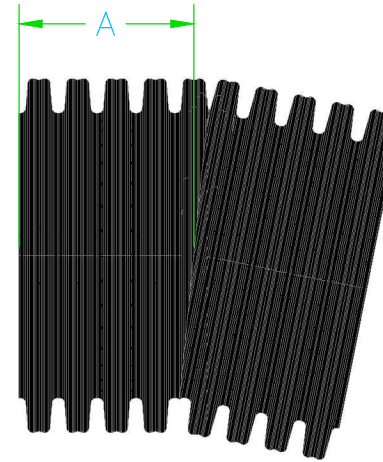
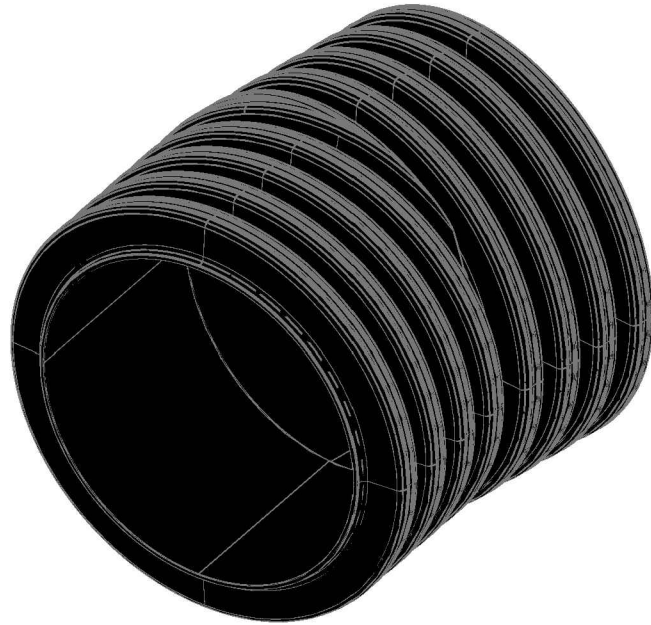
## MaXflo HDPE WYE STANDARD DESIGN

DRAWING NUMBER:



DRAWN BY:	BMH
DATE:	11/30/2011
CHECKED BY:	-
SCALE:	NTS
SHEET:	1 Of 1

# MaXflo HDPE 11.25° ELBOW STANDARD DESIGN




**JOINT TYPES:**

- EXTERNAL SPLIT COUPLERS - SOIL TIGHT
- BELL X BELL SEAL TIGHT COUPLER - SOIL TIGHT
- BELL X BELL SEAL TIGHT COUPLER W/ STAINLESS STEEL STRAPS - WATERTIGHT
- POLYSEAL MAR MAC COUPLER - WATERTIGHT

\*FITTINGS ARE FABRICATED FROM TIMEWELL MAXFLO CORRUGATED HDPE DUAL WALL PIPE CONFORMING TO AASHTO M252 & M294.

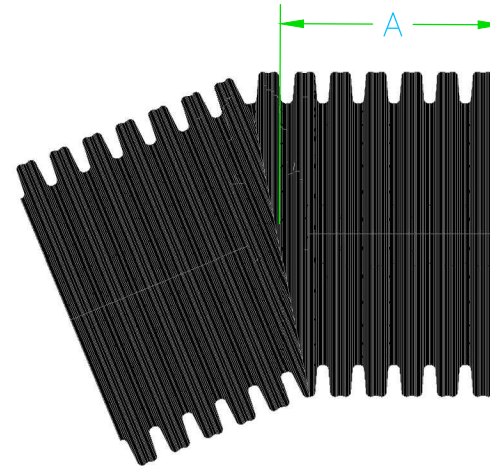
SIZE	A	PART #
4"	4.0"	09004-04-11.25-DW
6"	4.7"	09006-06-11.25-DW
8"	7.0"	09008-08-11.25-DW
10"	7.5"	09010-10-11.25-DW
12"	7.8"	09012-12-11.25-DW
15"	9.0"	09015-15-11.25-DW
18"	8.5"	09018-18-11.25-DW
24"	9.0"	09024-24-11.25-DW
30"	13.5"	09030-30-11.25-DW
36"	15.0"	09036-36-11.25-DW
42"	17.8"	09042-42-11.25-DW
48"	19.5"	09048-48-11.25-DW

\*FITTING DIMENSIONS ARE FOR REFERENCE ONLY.

REV	DESCRIPTION	BY	DATE	CHK'D	<b>MaXflo HDPE 11.25° ELBOW STANDARD DESIGN</b>		DRAWN BY:
1	DETAILS AND NOTES	BMH	1/2/2019				CHECKED BY:
							SCALE:
							SHEET:
							1 of 1

DRAWING NUMBER:

# MaXflo HDPE 22.5° ELBOW STANDARD DESIGN




**JOINT TYPES:**

- EXTERNAL SPLIT COUPLERS - SOIL TIGHT
- BELL X BELL SEAL TIGHT COUPLER - SOIL TIGHT
- BELL X BELL SEAL TIGHT COUPLER W/ STAINLESS STEEL STRAPS - WATERTIGHT
- POLYSEAL MAR MAC COUPLER - WATERTIGHT

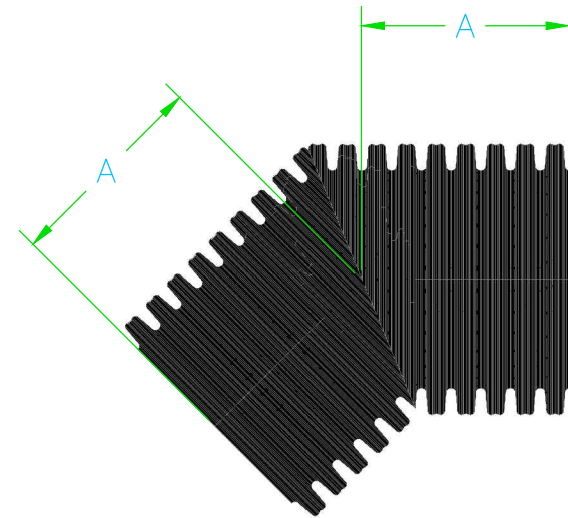
\*FITTINGS ARE FABRICATED FROM TIMEWELL MAXFLO CORRUGATED HDPE DUAL WALL PIPE CONFORMING TO AASHTO M252 & M294.

SIZE	A	PART #
4"	4.0"	09004-04-22.5-DW
6"	5.0"	09006-06-22.5-DW
8"	8.0"	09008-08-22.5-DW
10"	8.0"	09010-10-22.5-DW
12"	7.5"	09012-12-22.5-DW
15"	10.5"	09015-15-22.5-DW
18"	10.0"	09018-18-22.5-DW
24"	12.0"	09024-24-22.5-DW
30"	15.0"	09030-30-22.5-DW
36"	20.0"	09036-36-22.5-DW
42"	22.5"	09042-42-22.5-DW
48"	25.5"	09048-48-22.5-DW

\*FITTING DIMENSIONS ARE FOR REFERENCE ONLY.

REV	DESCRIPTION	BY	DATE	CHK'D						
1	DETAILS AND NOTES	BMH	12/2019		<b>MaXflo HDPE 22.5° ELBOW STANDARD DESIGN</b>					DRAWN BY: BMH DATE: 1/10/2012 CHECKED BY: - SCALE: NTS SHEET: 1 of 1
					DRAWING NUMBER:					

# MaXflo HDPE 45° ELBOW STANDARD DESIGN



**JOINT TYPES:**

- EXTERNAL SPLIT COUPLERS - SOIL TIGHT
- BELL X BELL SEAL TIGHT COUPLER - SOIL TIGHT
- BELL X BELL SEAL TIGHT COUPLER W/ STAINLESS STEEL STRAPS - WATERTIGHT
- POLYSEAL MAR MAC COUPLER - WATERTIGHT

\*FITTINGS ARE FABRICATED FROM TIMEWELL MAXFLO CORRUGATED HDPE DUAL WALL PIPE CONFORMING TO AASHTO M252 & M294.

SIZE	A	PART #
4"	4.0"	09004-04-45-DW
6"	4.4"	09006-06-45-DW
8"	8.0"	09008-08-45-DW
10"	9.0"	09010-10-45-DW
12"	10.4"	09012-12-45-DW
15"	12.0'	09015-15-45-DW
18"	15.5"	09018-18-45-DW
24"	17.5"	09024-24-45-DW
30"	18.0"	09030-30-45-DW
36"	24.5"	09036-36-45-DW
42"	29.3"	09042-42-45-DW
48"	33.2'	09048-48-45-DW

\*FITTING DIMENSIONS ARE FOR REFERENCE ONLY.

REV	DESCRIPTION	BY	DATE	CHK'D
1	DETAILS AND NOTES	BMH	1/2/2019	

## MaXflo HDPE 45° ELBOW STANDARD DESIGN

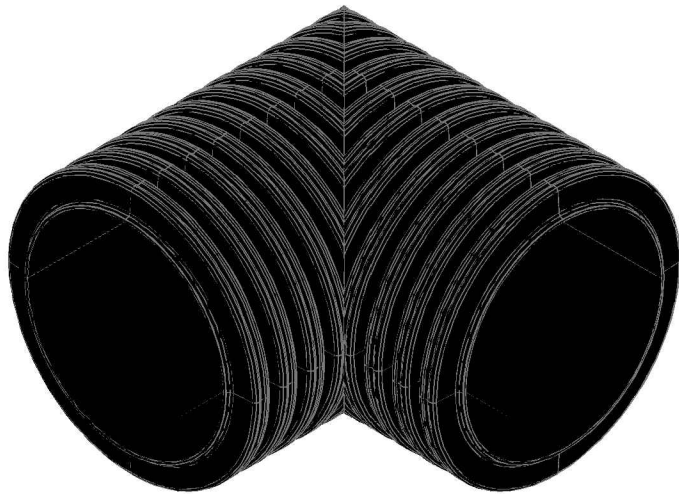
DRAWING NUMBER:



DRAWN BY:	BMH
DATE:	1/10/2012
CHECKED BY:	-
SCALE:	NTS
SHEET:	1 of 1



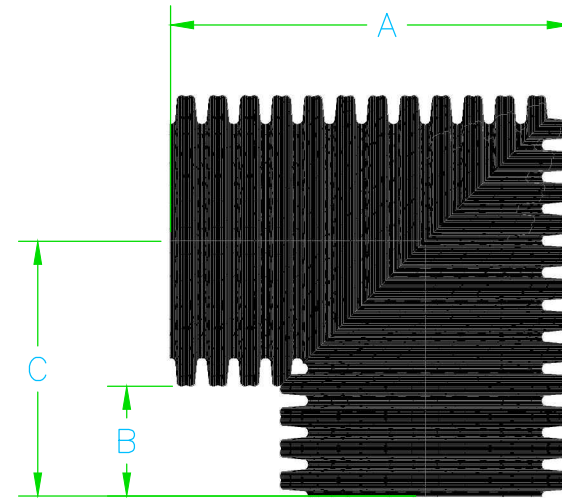
# MaXflo HDPE 90° ELBOW STANDARD DESIGN



**JOINT TYPES:**

- EXTERNAL SPLIT COUPLERS - SOIL TIGHT
- BELL X BELL SEAL TIGHT COUPLER - SOIL TIGHT
- BELL X BELL SEAL TIGHT COUPLER W/ STAINLESS STEEL STRAPS - WATERTIGHT
- POLYSEAL MAR MAC COUPLER - WATERTIGHT
- FABRICATED BELLED FITTINGS - WATERTIGHT ( *MADE-TO-ORDER ITEM* )

\*FITTINGS ARE FABRICATED FROM TIMEWELL MAXFLO CORRUGATED HDPE DUAL WALL PIPE CONFORMING TO AASHTO M252 & M294.



SIZE	A	B	C	PART #
4"	8.5"	4.0"	6.25"	09004-04-90-DW
6"	12.0"	5.0"	8.50"	09006-06-90-DW
8"	15.5"	6.5"	11.00"	09008-08-90-DW
10"	18.5"	7.0"	12.75"	09010-10-90-DW
12"	22.5"	8.0"	15.25"	09012-12-90-DW
15"	26.0"	8.5"	17.25"	09015-15-90-DW
18"	30.0"	9.0"	19.50"	09018-18-90-DW
24"	38.0"	10.5"	24.25"	09024-24-90-DW
30"	48.0"	12.0"	30.25"	09030-30-90-DW
36"	54.0"	12.5"	33.50"	09036-36-90-DW
48"	68.0"	14.0"	41.25"	09048-48-90-DW

\*FITTING DIMENSIONS ARE FOR REFERENCE ONLY.

REV	DESCRIPTION	BY	DATE	CHK'D

## MaXflo HDPE 90° ELBOW STANDARD DESIGN

DRAWING NUMBER:



DRAWN BY:	BMH
DATE:	11/30/2011
CHECKED BY:	-
SCALE:	NTS
SHEET:	1 Of 1