



furniture solutions to support people's health

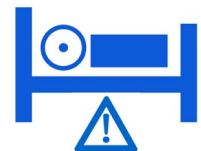
HBB500 Bariatric Bed

adjustable width mattress platform sections
backrest, legrest, height, Trendelenburg and reverse Trendelenburg electric adjustments
heavy-duty frame for years of service



500 kg safe working load

450 kg max patient weight



highest position 75 cm
lowest position 39 cm

one push button electric CPR
+ mechanical quick release CPR



back section 0° - 50°

kneebreak 0° - 32°



back section 50°
kneebreak 32°

one push button cardiac chair



Trendelenburg 12°

reverse Trendelenburg 12°



patient handset

back section
legrest (kneebreak)
fowler
height
light under bed

back section
legrest (kneebreak)
height
fowler
TR-RTR
one button CPR
one button TR
function lockout for all controls
light under bed
one button cardiac chair



attendant control panel



emergency battery back-up

white RAL 9016
epoxy powder coated





x3 swivelling twin castors
Ø150 mm

x1 conductive and steering
twin castor Ø150 mm

central braking system pedal:

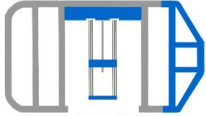
steering



swivelling



braked



x4 solid and removable
side rails, height adjustable,
with ergonomic handles

x2 removable and expandable
head/foot boards



x4 corner bumpers

x1 equipotential terminal



x2 sockets for I.V. pole or
oxygen bottle holder.

x1 retractable linen tray



accessories



heavy duty lifting pole + integrated I.V. hooks



I.V. pole fixed height



oxygen bottle holder

dimensions

minimum size (sections not expanded)	230 cm x 106 cm (side rails included)
maximum size (sections expanded + foot extension)	246 cm x 136 cm (side rails included)
floor clearance	16,5 cm

mattress platform adjustments

basic position	200 cm x 90 cm
mid position	200 cm x 105 cm
max position	200 cm x 120 cm
foot extension	from 200 cm to 220 cm

technical data

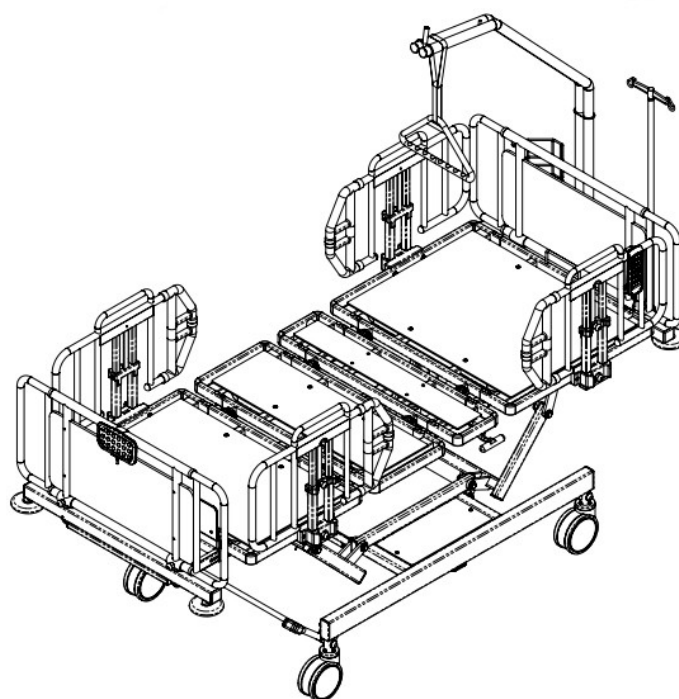
bed weight	200 kg
input voltage	100V-240V AC, 50/60 Hz (SMPS max 4A)
output voltage	32V, max 8A-10A
electric shock protection	Class I
bed ingress protection (electric set)	IPx4 (IP66)

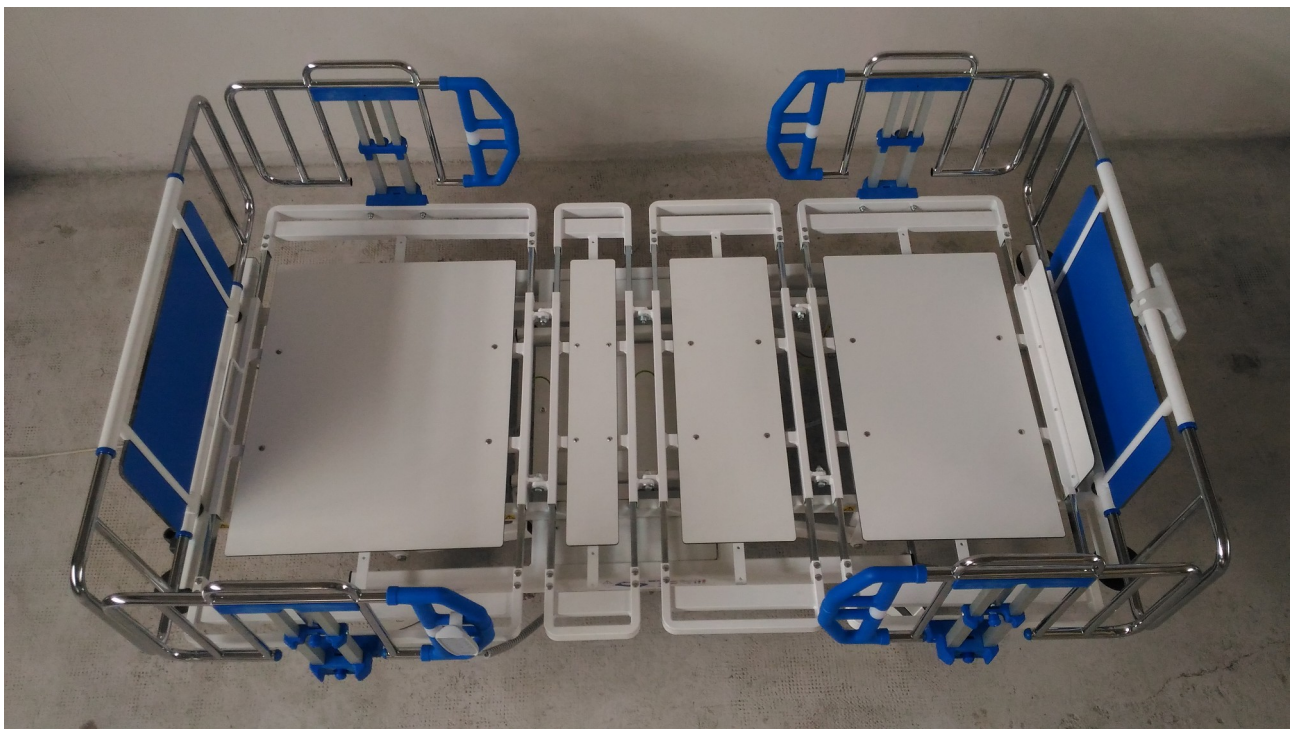
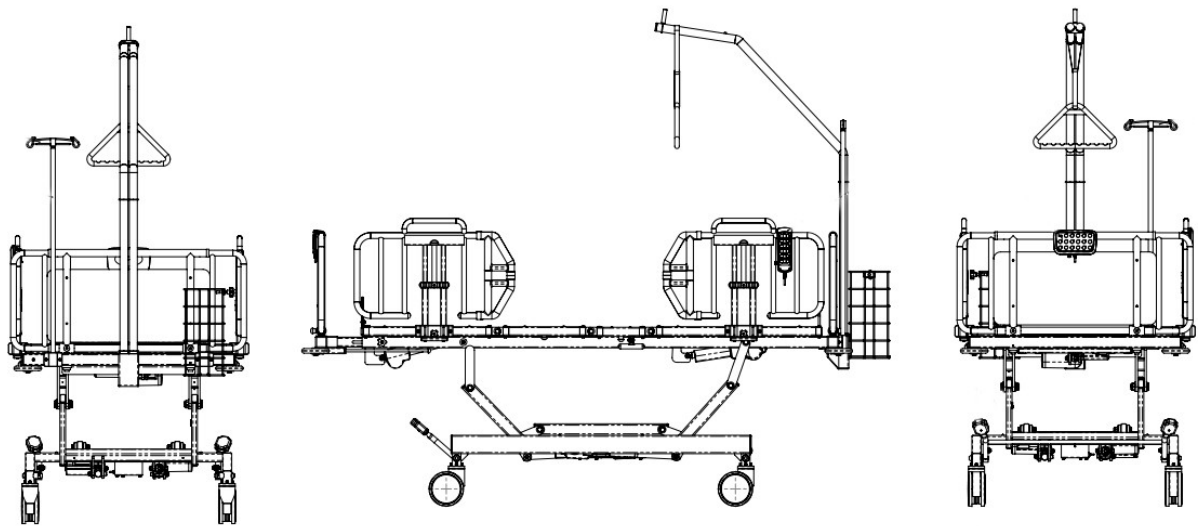
safety standards

Regulation (EU) 2017/745 MDR of the European Parliament and of the Council of April, 5th 2017
IEC 60601-2-52:2016 medical electrical equipment – part 2-52: particular requirements for the basic safety and essential performance of medical beds.

IEC 60601-1:2005 medical electrical equipment – part 1: general requirements for basic safety and essential performance.

IEC 60601-1-2 electromagnetic compatibility standard (2014/30/EU).





BASIC UDI-DI NUMBER: 805387974HBB500BZ

ITALIAN MINISTRY OF HEALTH MEDICAL DEVICES DATABASE NUMBER RDM: 2032151/R

CND: V08060106

GMDN: 35563

HBB500 Bariatric Bed - Healthniture S.r.l. - MADE IN ITALY	Rev. N. 07	Date May.2026
--	------------	---------------