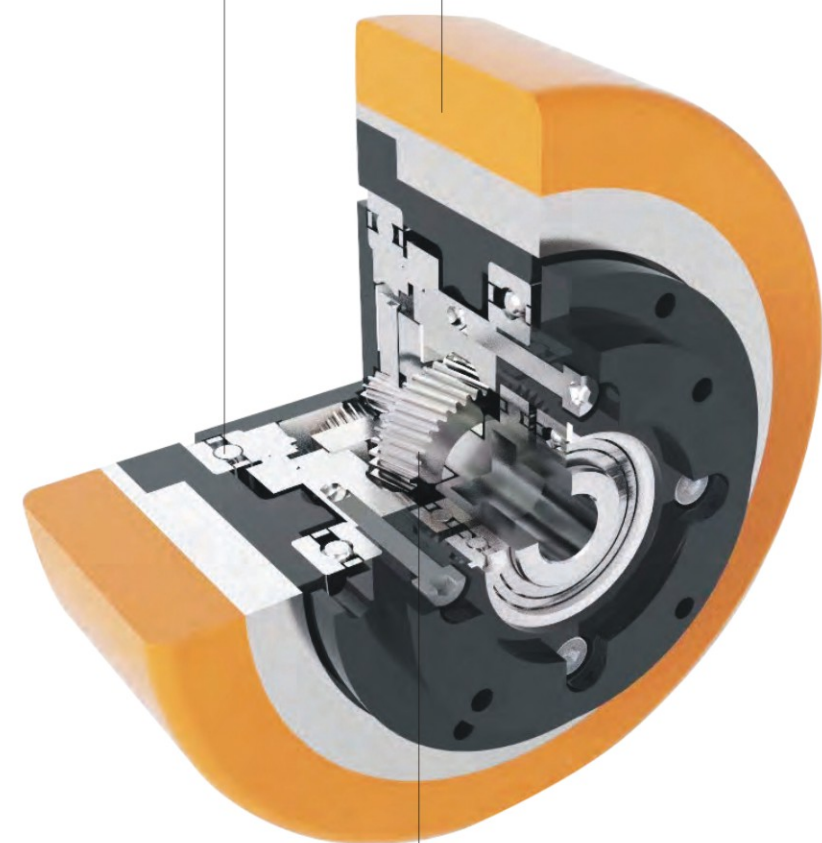


输出采用密封式的深沟球轴承，在满足径向承载能力的同时，保证减速机运转平稳、灵活

Output side adapt sealing type deep ball bearing with high radial loading capability to ensure gearbox stability and flexibility

可直接接钢圈包胶，节省空间

Can be integrated with steel ring and rubber wheel to save room



齿轮选用高级低碳合金锻钢，采用渗碳淬火磨齿工艺加工，保证减速机噪音低、强度高

High class low carbon forged steel material selected for gear, adapt carburizing and quen-ching heat treatment and gear grindingcraft to reach low noise and high strength

传天下 动无限 *The Perpetual Motion to Drive the World*



湖北科峰智能传动股份有限公司
Hubei Kofon Transmission Equipment Co., Ltd

地址: 湖北省黄冈市黄州区中粮大道9号

Add: NO.9 Zhongliang Avenue, Huangzhou District, Huanggang City, Hubei Province, China

电话(Tel): +86 713 8585866 8585868 邮箱(E-mail): info@kofon.com.cn

传真(Fax): +86 713 8585911 网址(Web): www.kofon.com.cn

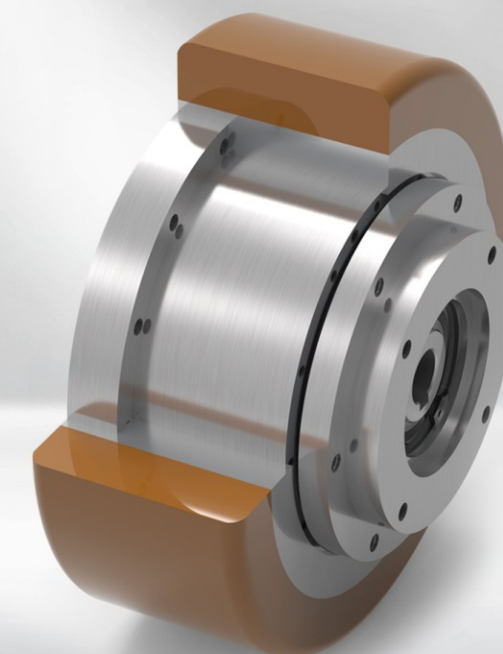
KOFON

PWZQ轮毂专用行星减速机

PWZQ Series Special for Hub Planetary Gearbox

传天下 动无限

*The Perpetual Motion
to Drive the World*



企业简介 The Company

湖北科峰智能传动股份有限公司是一家专业的集设计，研发，生产和销售伺服行星减速机，工程机械行星减速机，谐波减速机的高科技制造企业，在中国湖北建立有两个精密传动设备制造基地。公司致力于为客户提供专业的动力传动解决方案。

作为全球动力传动领域的重要制造商，科峰传动已专注于精密传动制造领域近十年。公司建有传动技术研发中心，并与武汉大学和华中科技大学等高校进行长期技术合作，形成了自己独特的技术优势，并拥有多项自主专利技术。减速机产品具有高精度，高刚性，高扭矩及高负载容量等特点。

在工业自动化和智能化发展的新形势下，科峰传动积极整合来自全球的优质工业制造资源，装备有全球顶级的各类自动化机加工、齿加工、热处理等设备。目前，科峰传动产品超低侧隙行星减速机，谐波减速机已被广泛应用到包括智能工业机器人和自动化机械设备制造等在内的各大前沿工业制造领域。

未来，科峰传动将全方位助力全球工业4.0，竭力为全球动力传动系统领域提供优秀卓越的产品和传动解决方案。

Hubei Kofon intelligent transmission Co., Ltd. is a professional high-tech manufacturing enterprise integrating design, R & D, production and sales of planetary gear reducer for servo, planetary reducer for engineering machinery and harmonic reducer. It has established two high-precision transmission equipment manufacturing bases in Hubei, China. The company is committed to providing customers with professional power transmission solutions.

As an important manufacturer in the field of global power transmission, Kofon transmission has focused on the field of precision transmission manufacturing for nearly ten years. The company has established transmission technology research and development center, and has long-term technical cooperation with Wuhan University, Huazhong University of science and technology and other universities, forming its own unique technical advantages and owning a number of independent patent technologies. Reducer products have the characteristics of high precision, high rigidity, high torque and high load capacity.

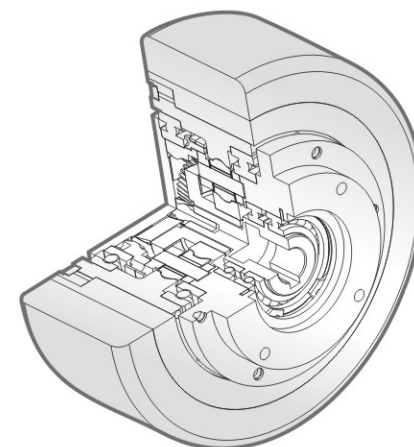
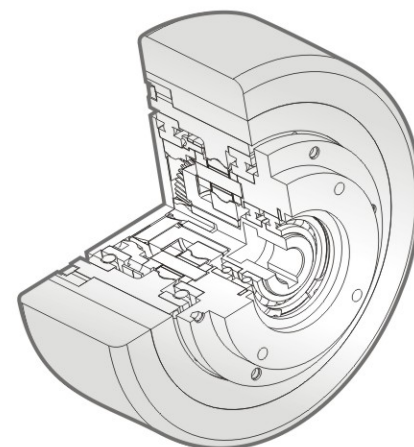
In the new situation of industrial automation and intelligent development, Kofon transmission actively integrates high-quality industrial manufacturing resources from the world, and is equipped with various kinds of top-level automatic machining, gear processing, heat treatment and other equipment in the world. At present, Kofon transmission products ultra-low backlash planetary reducer and harmonic reducer have been widely used in various leading-edge industrial manufacturing fields including intelligent industrial robots and automatic mechanical equipment manufacturing.

In the future, Kofon transmission will help global industry 4.0 in an all-round way, and strive to provide excellent products and transmission solutions in the field of global power transmission system.



PWZQ行星减速机技术参数

PWZQ Series Special for Hub Planerary Gearbox Technical Date



产品型号 Model		PWZQ118	PWZQ138	PWZQ160	PWZQ190	Ratio	Stage	
额定输出扭矩 Rated Output Torque	Nm	75	100	135	360	2	1	
		87	115	250	440	3		
		93	120	230	520	4		
		87	114	170	480	5		
		81	105	130	430	6		
		69	90	105	400	7		
		63	82	100	350	8		
		63	82	100	320	9		
		75	100	135	360	14		
		75	100	135	360	146		
		75	100	135	360	18		
		75	100	135	360	20		
		87	115	250	440	21	2	
		87	115	250	440	24		
		87	115	250	440	27		
		93	120	230	520	28		
		87	115	250	440	30		
		93	120	230	520	32		
		93	120	230	520	36		
		93	120	230	520	40		
故障停止扭矩Emergency Stop Torque	Nm	2倍额定输出扭矩Triple rated output torque						
最大径向力Max Radail Force	N	4000	8000	10000	12000			
满载效率Full loading Efficiency	%	95		1				
		93		2				
平均寿命Average lifetime	h	15000						
重量Weight	kg							1
								2



- 广泛应用于AGV、RGV行走系统
- 低噪音大扭矩，径向承载能力强
- 结构紧凑,安装方便
- 可定制化生产

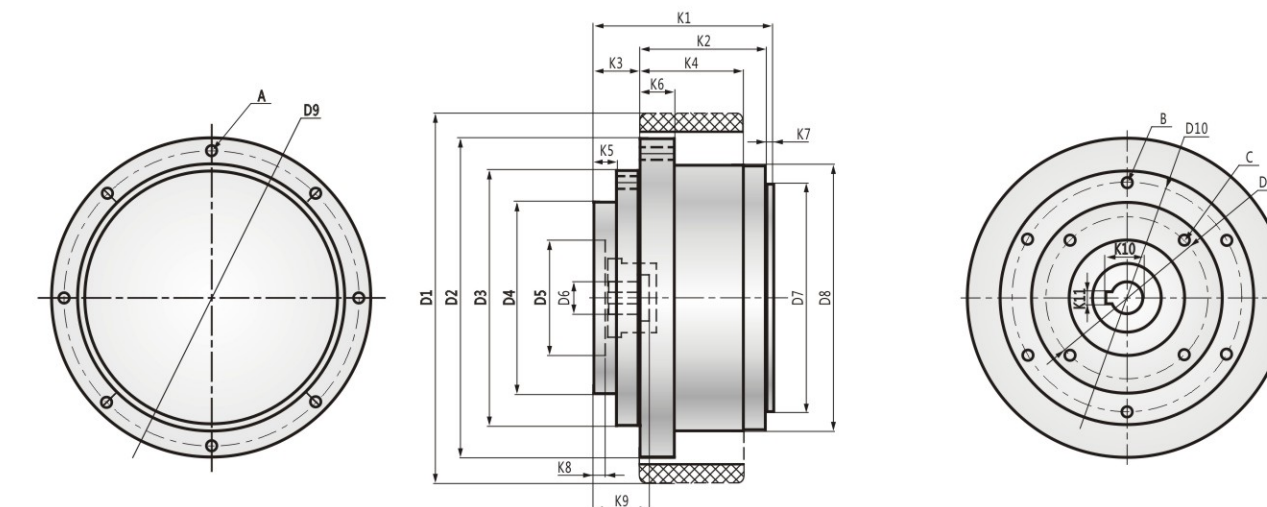
- Widely used in heavy-duty AGV, crawler type walking system
- Low noise, high torque, strong radial bearing capacity
- Compact structure, easy to install
- Customizable production

PWZQ行星减速机技术参数

PWZQ Series Special for Hub Planerary Gearbox Technical Date

PWZQ行星减速机尺寸

PWZQ Series Special for Hub Planerary Gearbox Size



产品型号 Model		PWZQ118	PWZQ138	PWZQ160	PWZQ190	Ratio	Stage	
转动惯量 Rotational Inetia	kgcm ²	0.16	0.61	3.25	12.31	2	1	
		0.14	0.48	2.74	7.54	3		
		0.13	0.47	2.71	7.42	4		
		0.13	0.47	2.62	7.25	5		
		0.13	0.45	2.62	7.25	6		
		0.13	0.44	2.62	7.14	7		
		0.13	0.44	2.57	7.14	8		
		0.13	0.44	2.57	7.14	9		
		0.127	0.44	2.56	5.36	14		
		0.127	0.44	2.56	4.08	146		
		0.12	0.43	1.75	5.36	18		
		0.075	0.44	1.5	5.81	20		
		0.075	0.44	1.49	5.36	21	2	
		0.064	0.39	1.3	4.08	24		
		0.064	0.39	1.3	5.36	27		
		0.064	0.39	1.3	5.36	28		
		0.064	0.39	1.3	4.08	30		
		0.064	0.39	1.3	4.08	32		
		0.075	0.39	1.5	5.36	36		
		0.075	0.44	1.49	4.08	40		
噪音 ¹ Noise	dB (A)	58	60	63	65			
最大输入速度 ² Max input Speed	min ⁻¹	6000	6000	6000	6000			
额定输入速度 ² Rated input Speed	min ⁻¹	3000	3000	3000	3000			

角标"1"音在n1= 3000min⁻¹、1米处测得。 角标"2"环境温度为20℃。
注:减速机输入转向与输出转向相反

The subscript "1" sound in n1 < 3000min⁻¹, measured at 1 m. The subscript "2" the environment temperature is 20℃.
PS : Gearbox input and output rotation direction opposite

型号Model	PWZQ118		PWZQ138		PWZQ160		PWZQ190	
级数Stage	1	2	1	2	1	2	1	2
D1	Φ150		Φ160		Φ180		Φ250	
D2	Φ118		Φ138		Φ160		Φ190	
D3	Φ110		Φ130		Φ130		Φ190	Φ140
D4	Φ83H7		Φ110h7		Φ110h7		Φ160h7	Φ110H7
D5	Φ50G7		Φ70G7		Φ70G7		Φ110G7	Φ70G7
D6	14H7		19H7		19H7		22H7	Φ19H7
D7	Φ90		Φ99		Φ114		Φ138	Φ138
D8	Φ95H7		Φ115h7		Φ130h7		Φ160h7	
D9	Φ108		Φ128		Φ144		Φ174	
D10	Φ100		Φ120		Φ120		Φ174	Φ124
D11	Φ70		Φ90		Φ90		Φ145	Φ90
K1	61.5	82.5	77.5	92.5	96.5	103.5	125	11
K2	40	55	55	55	60	73	60.5	70.5
K3	19	20	24	24	31	23	59	32
K4	35	45	45	45	55	60	60	70
K5	10		10		10		42	15
K6	12		15		15		20	
K7	2.5	8.5	2.5	13.5	5.5	7.5	5.5	8.5
K8	4		5		5		8	
K9	22.5		24		36		56.3	42
K10	16.3		21.8		21.8		24.8	21.8
K11	5		6		6		6	6
A	5-M6X12		8-M5X12		6-M6X15		6-M8X20	
B	8-M5X8		6-M6X9		6-M6X12		6-M8X16	
C	4-M6X12		4-M6X12		4-M6X12		4-M8X20	4-M6X12