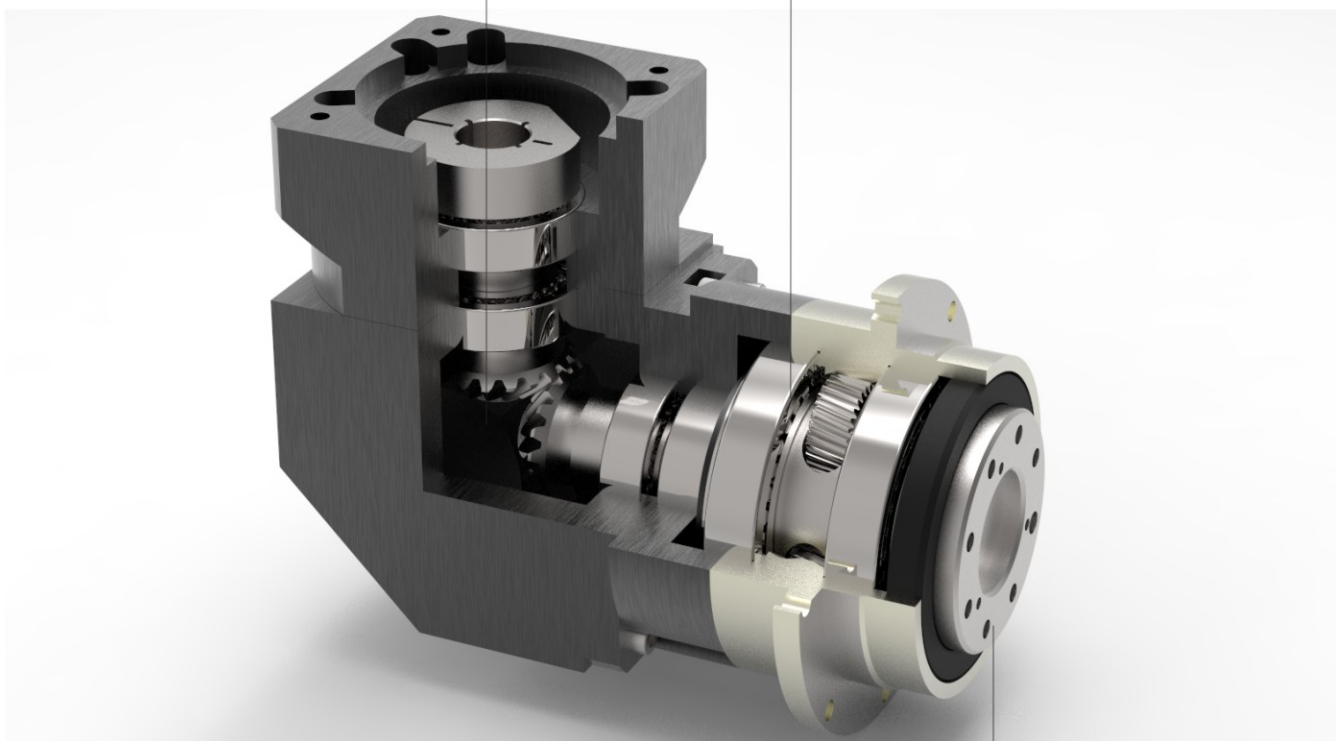


使用高承载能力圆锥滚子轴承，可根据输出工况承受较大的径向力和轴向力

高精度锥齿轮传动，可承受较大扭矩及较高转速，适用于高速大扭矩和空间受限的转角区域使用



法兰盘输出，体积小，承载高，安装方便



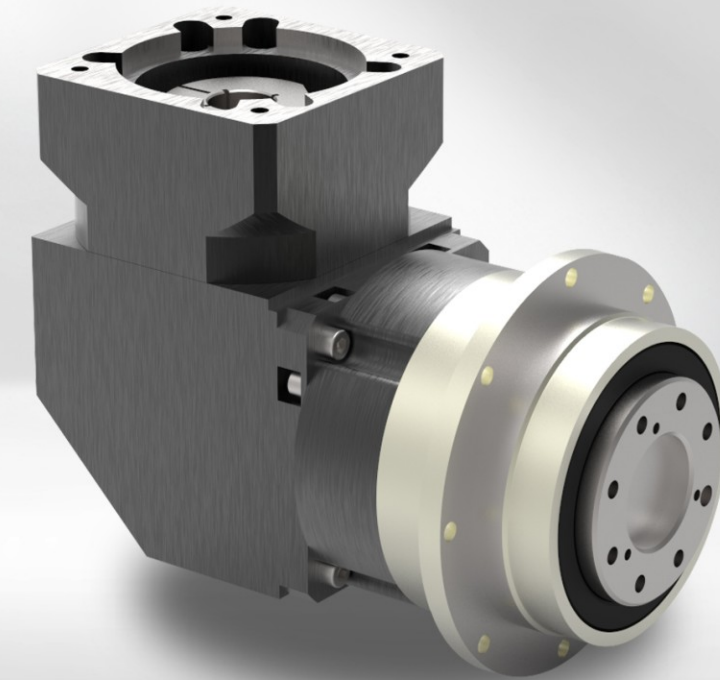
传天下 动无限 The Perpetual Motion to Drive the World

湖北科峰智能传动股份有限公司
Hubei Kofon Transmission Equipment Co., Ltd
地址: 湖北省黄冈市黄州区中粮大道9号
Add: NO.9 Zhongliang Avenue, Huangzhou District, Huanggang City, Hubei Province, China
电话(Tel): +86 713 8585866 8585868 邮箱(E-mail): info@kofon.com.cn
传真(Fax): +86 713 8585911 网址(Web): www.kofon.com.cn



行星减速机 KVH 系列 Planetary Gearbox KVH Series

传天下 动无限
*The Perpetual Motion
to Drive the World*



企业简介 The Company

湖北科峰智能传动股份有限公司是一家专业的集设计，研发，生产和销售伺服行星减速机，工程机械行星减速机，谐波减速机的高科技制造企业，在中国湖北建立有两个高精度传动设备制造基地。公司致力于为客户提供专业的动力传动解决方案。

作为全球动力传动领域的重要制造商，科峰传动已专注于精密传动制造领域近十年。公司建有传动技术研发中心，并与武汉大学和华中科技大学等高校进行长期技术合作，形成了自己独特的技术优势，并拥有多项自主专利技术。减速机产品具有高精度，高刚性，高扭矩及高负载容量等特点。

在工业自动化和智能化发展的新形势下，科峰传动积极整合来自全球的优质工业制造资源，装备有全球顶级的各类自动化机加工、齿加工、热处理等设备。目前，科峰传动产品超低侧隙行星减速机，谐波减速机已被广泛应用到包括智能工业机器人和自动化机械设备制造等在内的各大前沿工业制造领域。

未来，科峰传动将全方位助力全球工业4.0，竭力为全球动力传动系统领域提供卓越的产品和传动解决方案。

Hubei Kofon intelligent transmission Co., Ltd. is a professional high-tech manufacturing enterprise integrating design, R & D, production and sales of planetary gear reducer for servo, planetary reducer for engineering machinery and harmonic reducer. It has established two high-precision transmission equipment manufacturing bases in Hubei, China. The company is committed to providing customers with professional power transmission solutions.

As an important manufacturer in the field of global power transmission, Kofon transmission has focused on the field of precision transmission manufacturing for nearly ten years. The company has established transmission technology research and development center, and has long-term technical cooperation with Wuhan University, Huazhong University of science and technology and other universities, forming its own unique technical advantages and owning a number of independent patent technologies. Reducer products have the characteristics of high precision, high rigidity, high torque and high load capacity.

In the new situation of industrial automation and intelligent development, Kofon transmission actively integrates high-quality industrial manufacturing resources from the world, and is equipped with various kinds of top-level automatic machining, gear processing, heat treatment and other equipment in the world. At present, Kofon transmission products ultra-low backlash planetary reducer and harmonic reducer have been widely used in various leading-edge industrial manufacturing fields including intelligent industrial robots and automatic mechanical equipment manufacturing.

In the future, Kofon transmission will help global industry 4.0 in an all-round way, and strive to provide excellent products and transmission solutions in the field of global power transmission system.



