



EUROPEAN RAINWATER GOODS

Half Round
Gutters

Round
Downpipes
&
Accessories

✉ sales@kfcrs.com.au

☎ (02) 9810 0915

U2/42 Raymond Ave.

Matraville NSW 2036

www.kfcrs.com.au

CONTENTS

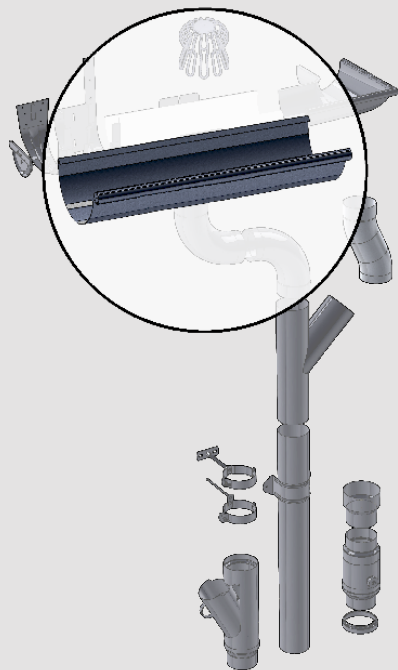
THE HALF ROUND GUTTER

-PROFILE & SPECIFICATIONS	3 - 6
-MATERIAL & COLOUR RANGE	7 - 8
-BRACKETS AVAILABILITY	9 - 10
-METAL COMPATIBILITY CHART	10
-A1 BRACKET	11
-A2 BRACKET	12
-A4 BRACKET	13
-A5 BRACKET	14
-GUTTER ACCESSORIES	15 - 16

ROUND DOWNPIPES

-SIZES & MATERIAL AVAILABILITY	17
-MISCELLANEOUS ACCESSORIES	18 - 20
-BENDS & ELBOWS	21 - 24
-DOWNPIPE BRACKETS	25 - 26

HALF ROUND GUTTER PROFILE



Please refer to the **METAL COMPATABILITY CHART** prior to selection.....(pg. 10)

LEGEND:

Al	PREFA® Aluminium
Cu	Copper
Ga	Galvanised Steel
ZP	Zinc Plated
SS	Stainless Steel
Za	ZINCALUME® Steel
ZMF	Zinc Mill Finish
VMQ	VM Zinc Quartz



Half Round Gutters are the most functional and practical gutters available. Designed with a rounded profile, the gutters possess excellent water flow capacity and, numerous advantages over other traditional gutter profiles.

KFC *Half Round Gutters* utilise a low front profile to optimise overflow, rendering overflow slots unnecessary.

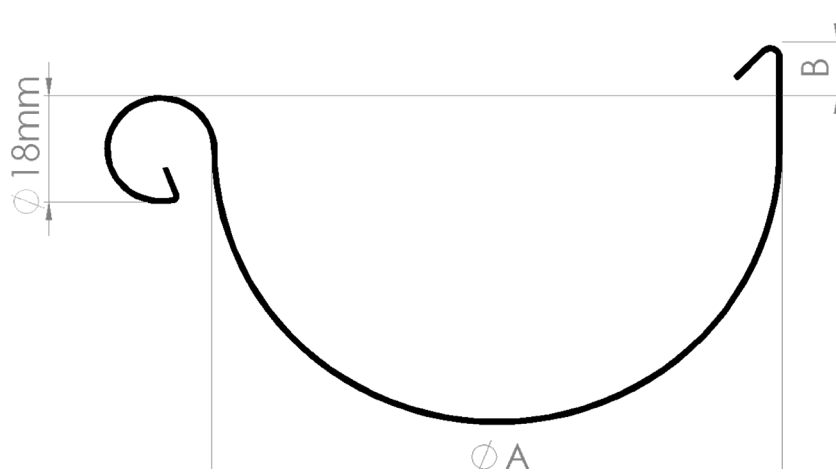
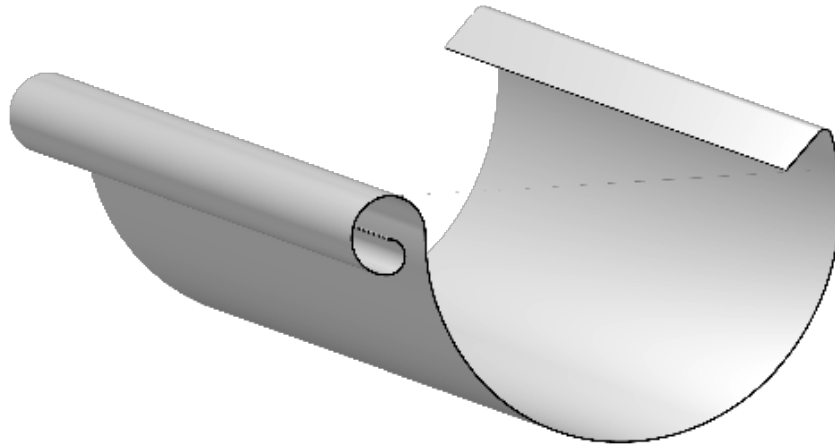
Available in a wide range of sizes and finishes, our Half Round Gutters are suitable for both residential and industrial applications, complementing both modern and traditional designs.

The complete half round gutter rainwater system, with various finishes, materials and accessories are available from **KFC Roofing Supplies**.

ADVANTAGES

- ✓ Greater tensile strength from full rounded edges
- ✓ Hidden sharp edges, making it stronger and safer to handle
- ✓ Click-On Outlets, simply lock into place. No rivets required!
- ✓ Pressed corners mitigates risk of water stagnating in corners
- ✓ No overflow slots
- ✓ Self-cleaning with rainfall

THE EUROPEAN BEAD



SAP CODE: HRG*****

EURO BEAD SPECIFICATION:

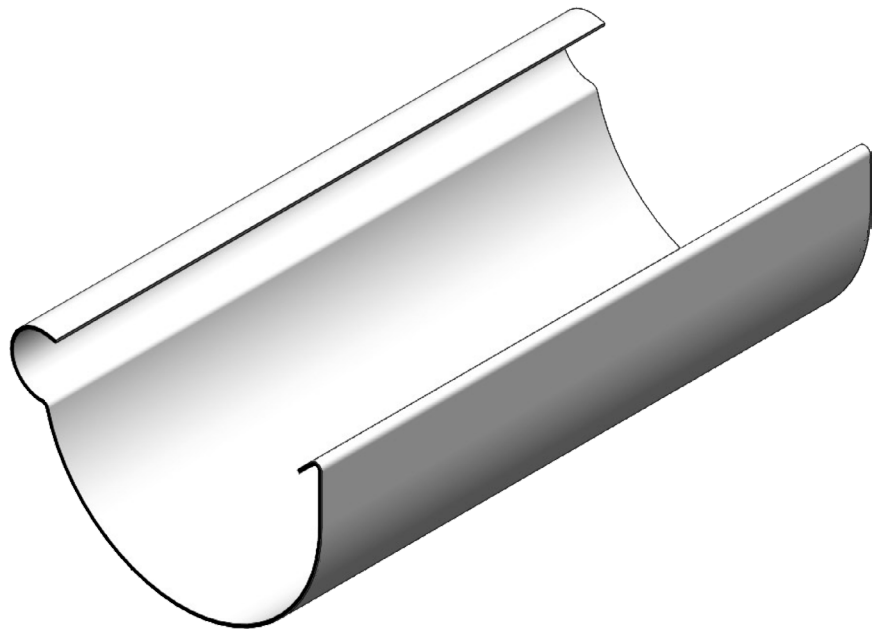
- Profiles from 100mm - 200mm are suited for residential applications.
- Maximum 6.0m gutter length.

MATERIAL:	Cu	Ga	VMQ	SS	Za
GAUGE:	0.55mm	0.55mm	0.70mm	0.55mm	0.55mm

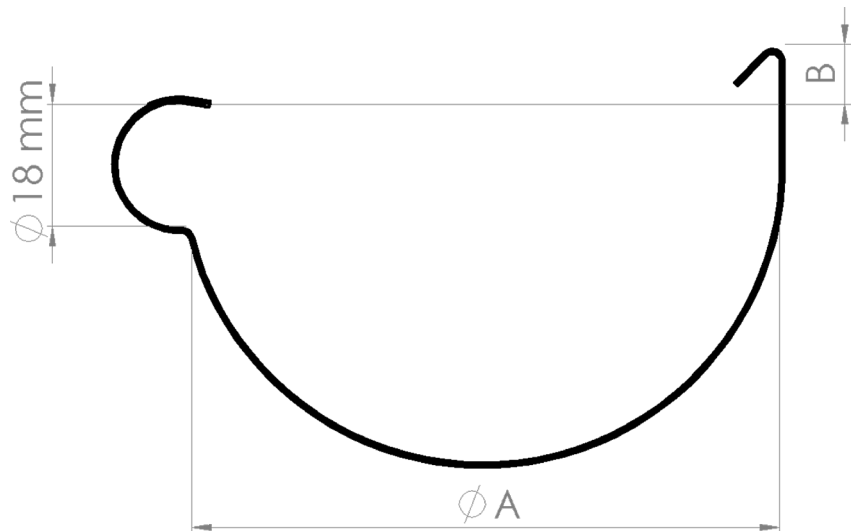
Diameter	A	B	Litres/m
100 mm	105 mm	10 mm	4.3
125 mm	127 mm	10 mm	6.3
150 mm	153 mm	10 mm	9.2
200 mm	192 mm	12 mm	14.5

COPPER ONLY

THE STANDARD BEAD



Please refer to the
METAL COMPATABILITY CHART
prior to selection.....(pg. 10)



Suitable for one-side paint colour.

LEGEND:

Al	PREFA® Aluminium
Cu	Copper
Ga	Galvanised Steel
ZP	Zinc Plated
SS	Stainless Steel
Za	ZINCALUME® Steel
ZMF	Zinc Mill Finish
VMQ	VM Zinc Quartz

KFC Half Round Gutters utilise a low front profile to optimise overflow. Hence, overflow slots are unavailable.

Half Round Gutter Profiles from 125mm - 200mm are typically suited to **residential applications**, whereas high capacity profiles of up to 400mm are often deployed in **industrial settings**.

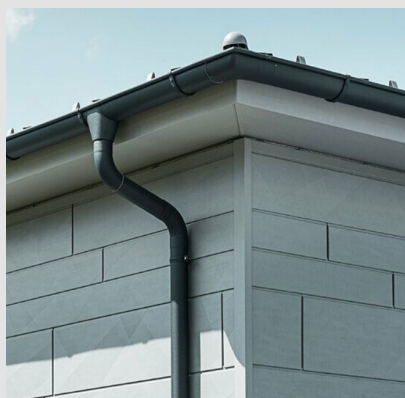
We produce Half Round Gutters in two formats, the **Standard Bead** and the **European Bead**.

Compared to the Standard Bead, the European Bead has a considerable range of advantages.

- Full rounded edges have increased tensile strength
- Sharp edges are hidden away, making Half Round Gutters stronger and safer to handle
- Click-On Outlets are incredibly easy to install - simply lock them into place, no rivets needed!
- Pressed corners mitigate the risk of water stagnating in corners

MATERIAL*	GAUGE	BEAD
COLORBOND® Steel	0.55mm	Standard
COLORBOND® Ultra	0.55mm	Standard
Copper	0.55mm	European
Galvanised Steel	0.55mm	European
Stainless Steel - 304 and 316 grades	0.55mm	European
ZINCALUME® Steel <i>*Refer to metals compatibility chart before selection.</i>	0.55mm	European
PREFA Aluminium <i>*Selected Colours</i>	0.70mm	Standard
VM Zinc Quartz	0.70mm	European / Standard (Confirm on Order)

MATERIAL & COLOUR RANGE



PREFA ALUMINIUM



01	P.10 brown
02	P.10 anthracite
03	P.10 black
04	P.10 brick red
05	P.10 oxide red
06	P.10 moss green
07	P.10 light grey
08	P.10 zinc grey
10	P.10 PREFA white
11	P.10 nut brown
12	metallic silver ³
13	plain aluminium ^{1 2}
17	P.10 pure white
19	P.10 dark grey
23	black grey
28	P.10 prefa bronze ³
43	P.10 stone grey ¹
45	bronze ³
46	P.10 patina green ¹
47	patina grey ¹

Please refer to the
METAL COMPATABILITY CHART
prior to selection.....(pg. 10)

LEGEND:

Al	PREFA® Aluminium
Cu	Copper
Ga	Galvanised Steel
ZP	Zinc Plated
SS	Stainless Steel
Za	ZINCALUME® Steel
ZMF	Zinc Mill Finish
VMQ	VM Zinc Quartz

EURO BEAD

RAW METALS



COPPER



GALVANISED

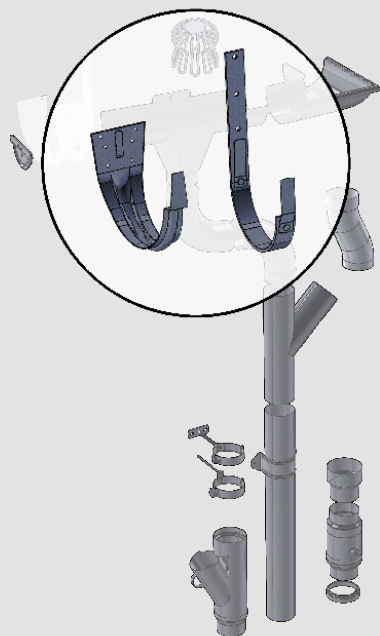


VMZINC
QUARTZ



STAINLESS
STEEL

GUTTER BRACKETS



Please refer to the
METAL COMPATABILITY CHART
prior to selection.....(pg. 10)

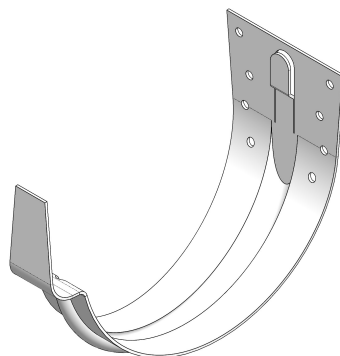
LEGEND:

Al	PREFA® Aluminium
Cu	Copper
Ga	Galvanised Steel
ZP	Zinc Plated
SS	Stainless Steel
Za	ZINCALUME® Steel
ZMF	Zinc Mill Finish
VMQ	VM Zinc Quartz

**Recommended bracket
spacing is 1000mm.**

A1

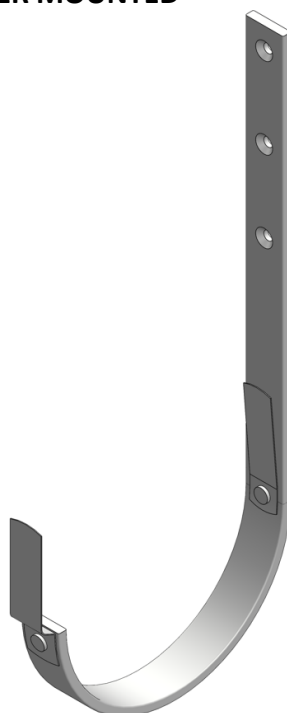
**RESIDENTIAL BRACKET
FASCIA MOUNTED**



Brackets can be powder
coated to match
PREFA® Aluminium &
Colorbond colours

A2

**RESIDENTIAL BRACKET
RAFTER MOUNTED**



AVAILABILITY & COMPATIBILITY

METAL COMPATIBILITY CHART

METAL:	Al	Cu	St	Zn	Pb	SST	CB	Za
Al Aluminium		X						
Cu Copper	X		X				X	X
St Steel (Galvanised)		X					X	X
Zn Zinc		X						
Pb Lead							X	X
SST Stainless Steel							X	X
CB Colorbond		X	X		X	X		
Za Zinalume		X	X		X	X		

LEGEND: X = INCOMPATIBLE

BRACKET MATERIAL AVAILABILITY

Materials/Gutter Size	100 mm		125 mm		150 mm		200 mm	
Galvanised Steel	A1	A2	A1	A2	A1	A2	A1	A2
Stainless Steel					A1	A2		A2
PREFA Aluminium					A1	A2		A2
Zinalume Steel					A1			
Copper	A1	A2	A1	A2	A1	A2	A1	A2
VM Zinc Quartz					A1	A2		

LEGEND: A1 = FASCIA Bracket A2 = RAFTER Bracket

A1 BRACKET

RESIDENTIAL FASCIA MOUNT

A1

Available in:

PREFA® Aluminium
Powdercoated Aluminium to colour match (150mm ONLY)

VM ZINC Quartz
(150mm ONLY)

COPPER
(All standard sizes)

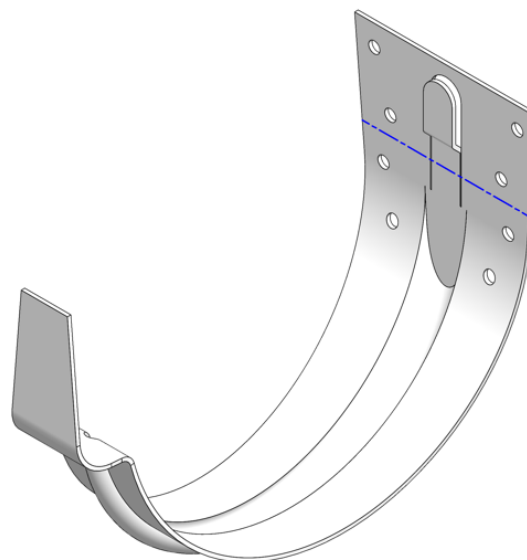
GALVANISED STEEL
(All standard sizes)

STAINLESS STEEL
(150mm only)

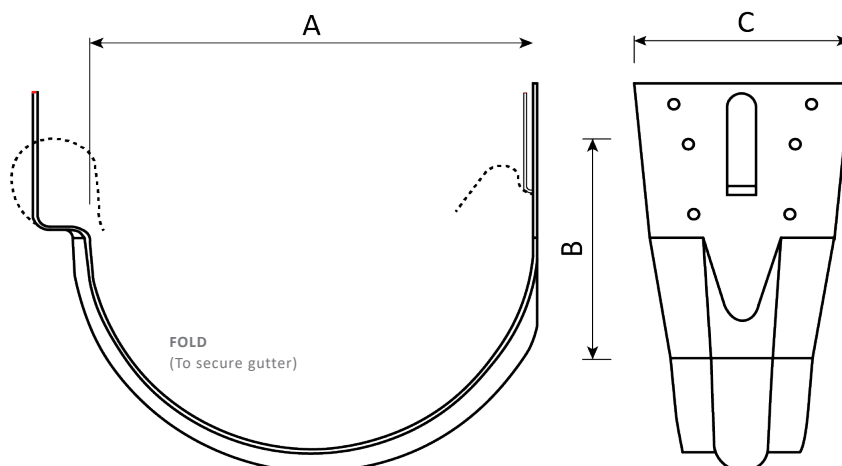
Zincalume STEEL
(150mm only)

FASTENERS:
Fix A1 brackets to timber or metal with Pan heads

Recommended bracket spacing is 1000mm.



CUT or FOLD
ABOVE LINE TO SUIT
(If required)



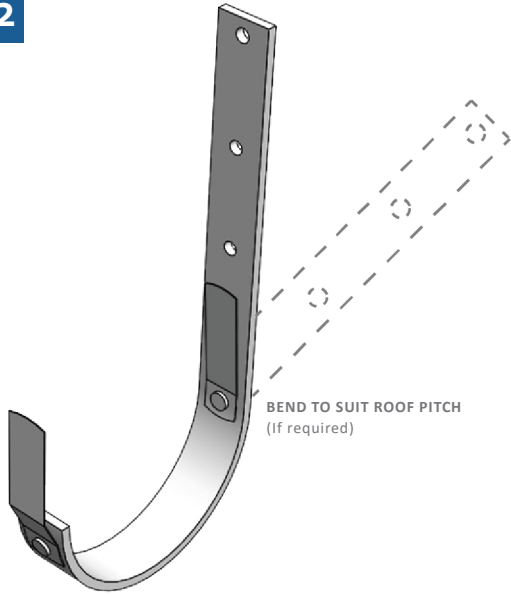
SAP CODE: HRG***BA1***

BRACKET DIMENSIONS

Gutter Size	A	B	C
100mm	100mm	60mm	80mm
125mm	127mm	75mm	80mm
150mm	153mm	65mm	80mm
200mm	192mm	100mm	100mm

A2 BRACKET

A2



RESIDENTIAL RAFTER MOUNT

Available in:

PREFA® Aluminium
Powdercoated Aluminium to colour match
(150 & 200mm ONLY)

VM ZINC Quartz
(150mm ONLY)

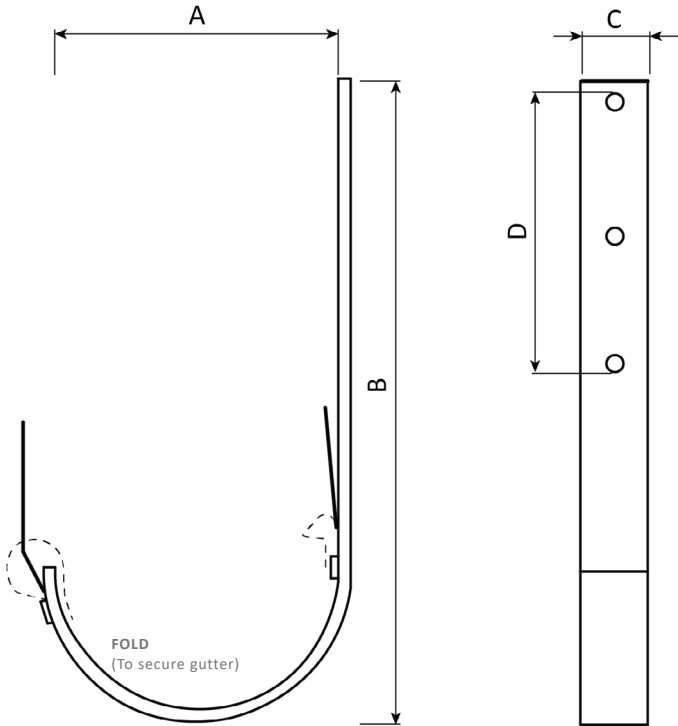
COPPER
(All standard sizes)

GALVANISED STEEL
(All standard sizes)

STAINLESS STEEL
(150 & 200mm ONLY)

FASTENERS:
Fix A2 brackets to timber with Counter-Sunk Screws

Recommended bracket spacing is 1000mm.



SAP CODE: HRG***BA2***

BRACKET DIMENSIONS				
Gutter Size	A	B	C	D
100mm	105mm	270mm	29mm	135mm
125mm	127mm	145mm	29mm	280mm
150mm	153mm	145mm	29mm	375mm
200mm	192mm	145mm	29mm	430mm

A4 BRACKET

Available in:



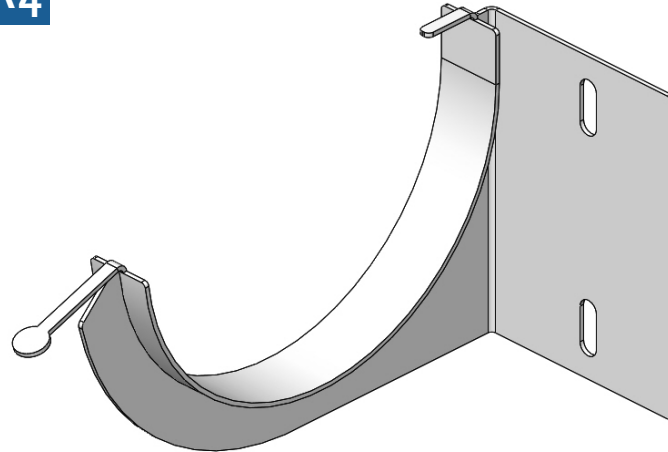
PREFA® Aluminium
Powdercoated Aluminium to colour match
(All standard sizes)

GALVANISED STEEL
(All standard sizes)

STAINLESS STEEL
(All standard sizes)

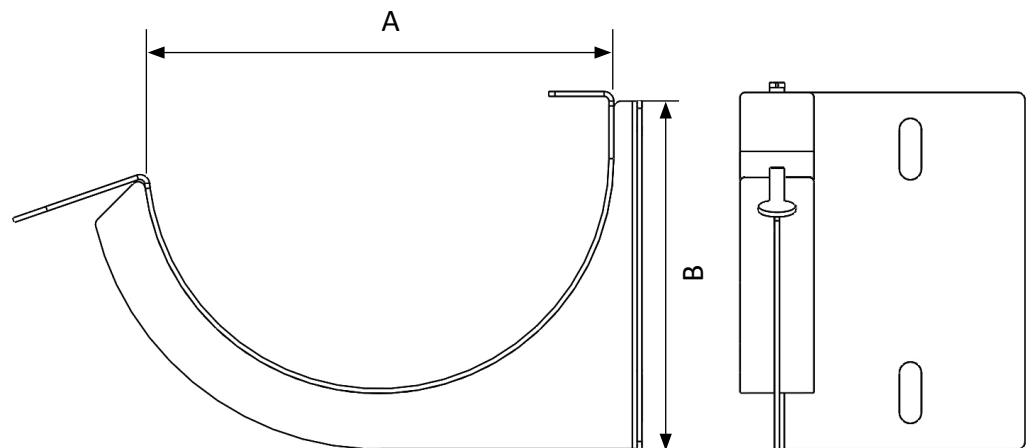
Zincalume STEEL
(All standard sizes)

FASTENERS:
Fix A4 brackets to timber or metal with
Hex Heads



**Recommended bracket
spacing is 1000mm.**

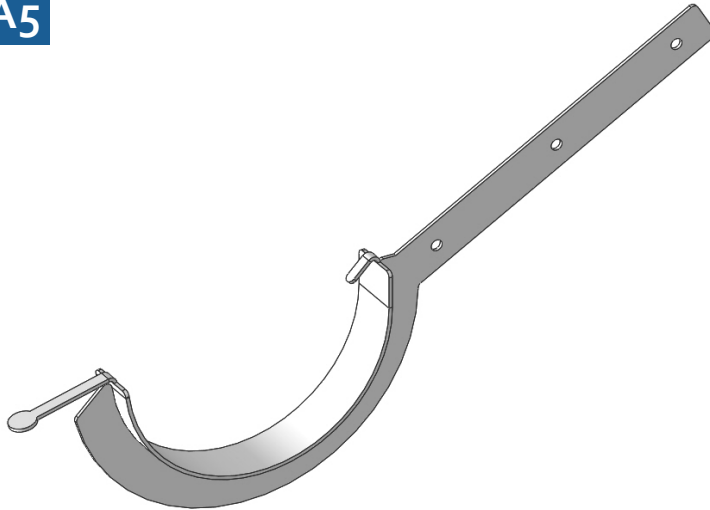
*Tabs are not available for Hot Dip
Galvanised A4 Brackets



BRACKET DIMENSIONS		
Gutter Size	A	B
125mm	126mm	98mm
150mm	145mm	122mm
200mm	192mm	145mm
250mm	250mm	150mm

A5 BRACKET

A5



Available in:

PREFA® Aluminium

Powdercoated Aluminium to colour match

(All standard sizes)

GALVANISED STEEL

(All standard sizes)

STAINLESS STEEL

(All standard sizes)

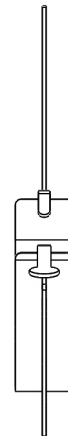
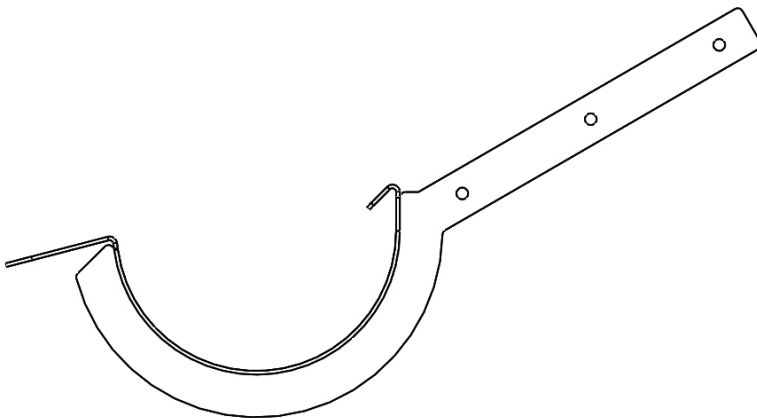
Zincalume STEEL

(All standard sizes)

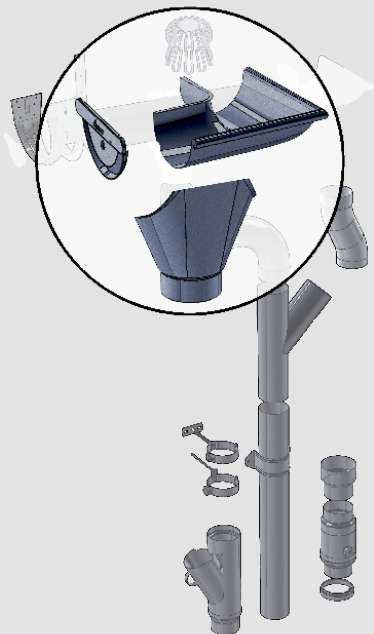
FASTENERS:

Fix A5 brackets to timber or metal with Hex Heads

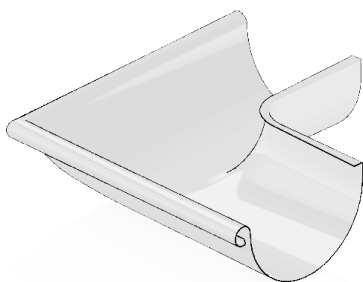
Recommended bracket spacing is 1000mm.



GUTTER ACCESSORIES



PRESSED CORNERS



SAP CODE: HRG***EPC/IPC**



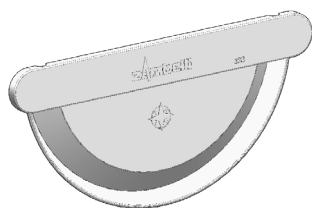
Installation Guide

- ✓ CLEAN pressed corner
- ✓ Suits Euro bead gutters
- ✓ NO Miters
- ✓ NO Rivets

Diameter	Al	Ga	Cu	VMQ	ZMF
100mm		✓	✓		
125mm		✓	✓		
150mm	✓	✓	✓	✓	✓
200mm	✓	✓	✓		

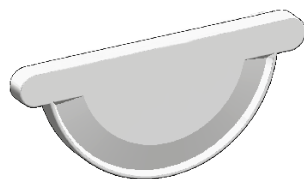
Please refer to the **METAL COMPATABILITY CHART** prior to selection.....(pg. 10)

STOP END PLATES



SEAMED

Diameter	Alu	Za	Ga	Cu	SS	VMQ	ZMF
100mm			✓	✓			
125mm			✓	✓			
150mm	✓	✓	✓	✓	✓	✓	✓
200mm	✓		✓	✓	✓		



PRESS-ON

SAP CODE: HRG***SE***

Diameter	PREFA
100mm	✓
125mm	✓
150mm	✓
200mm	✓

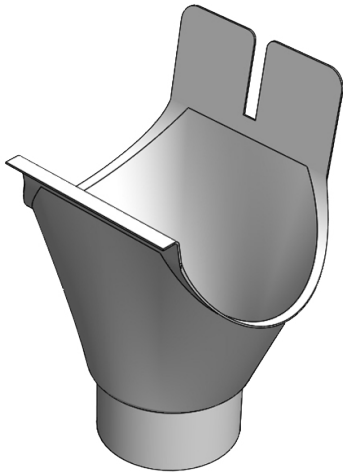


Installation Guide

LEGEND:

Al	PREFA® Aluminium
Cu	Copper
Ga	Galvanised Steel
ZP	Zinc Plated
SS	Stainless Steel
Za	ZINCALUME® Steel
ZMF	Zinc Mill Finish
VMQ	VM Zinc Quartz

CLICK-ON OUTLETS



SAP CODE: HRG***CO*****

- ✓ Click-On Outlets provide up to **33% more water flow** than standard nozzles.
- ✓ Reduced water standing and is **self cleaning**.
- ✓ **Reduced installation time**
- ✓ **No scalloping** of the downpipe is required.
- ✓ **No Rivets**

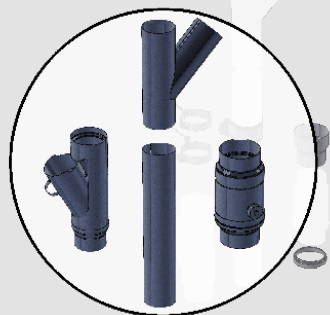
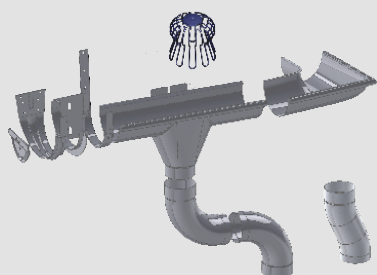


[Installation Guide](#)

Gutter Size	Outlet (D.P. Dia)	Za	Ga	Al	ZMF	Cu	VMQ
100mm	80	✓				✓	
125mm	80	✓				✓	
150mm	80	✓		✓	✓	✓	✓
	90			✓			
200mm	100		✓	✓		✓	✓
	100		✓	✓	✓	✓	
250mm	150	✓				✓	
	150			✓			

ROUND DOWNPIPES

DOWNPIPE ACCESSORIES



Please refer to the **METAL COMPATABILITY CHART** prior to selection.....(pg. 10)

LEGEND:

Al	PREFA® Aluminium
Cu	Copper
Ga	Galvanised Steel
ZP	Zinc Plated
SS	Stainless Steel
Za	ZINCALUME® Steel
ZMF	Zinc Mill Finish
VMQ	VM Zinc Quartz



We offer an extensive range of *Round Downpipes*, complementing all types of gutter systems and are available with a full range of standard accessories, as well as fully customised fabrications.

Round Downpipes combined with Half Round Gutters, provide excellent performance and aesthetic properties.

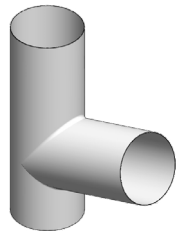
SIZES & MATERIAL AVAILABILITY:

D.P. Diameter	Length	ZA	Ga	SS	Cu	VMQ
75mm	1.8m	✓	✓	✓		
	2.4m	✓	✓	✓		
	3.0m					
80mm	3.0m		✓		✓	✓
90mm	1.0m	✓				
	2.4m	✓	✓	✓		
	3.0m	✓				
100mm	1.0m	✓	✓			
	2.4m	✓	✓	✓		
	3.0m	✓	✓		✓	✓
	4.0m	✓	✓			
150mm	2.0m	✓	✓		✓	
	2.4m	✓	✓	✓	✓	
	3.0m	✓	✓		✓	
	4.0m	✓	✓			

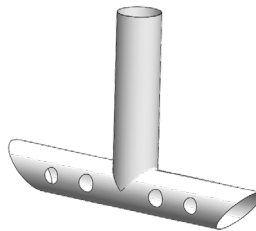
MISCELLANEOUS

JUNCTIONS & SPREADERS

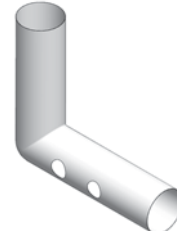
Other degrees available on request



72° Downpipe Junction

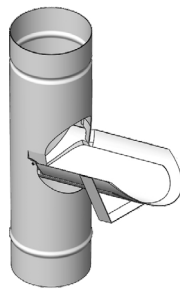


T Spreader



L Spreader

Custom Tradework for junctions and spreaders. Please enquire for further information.

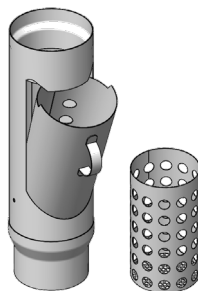


PIPE FLAP with SIEVE

D.P. Diameter	Cu	PREFA	ZMF
100mm	✓	✓	✓

*PREFA = Powder Coated Zinc Mill Finish

SAP CODE: PF*****

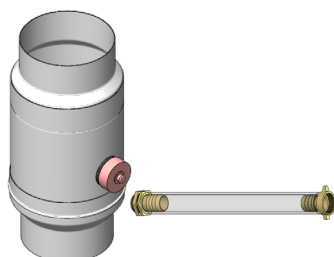


LEAF CATCHER

D.P. Diameter	Cu	ZMF
100mm	✓	✓

*CB = Powder Coated Zinc Mill Finish

SAP CODE: LC*****

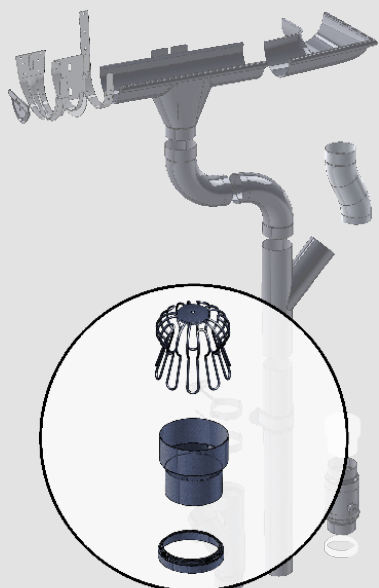


WATER COLLECTOR

D.P. Diameter	ZMF
100mm	✓

SAP CODE: WC100ZMF

DOWNPIPE ACCESSORIES



Please refer to the
METAL COMPATIBILITY CHART
prior to selection.....(pg. 10)

LEGEND:

Al	PREFA® Aluminium
Cu	Copper
Ga	Galvanised Steel
ZP	Zinc Plated
SS	Stainless Steel
Za	ZINCALUME® Steel
ZMF	Zinc Mill Finish
VMQ	VM Zinc Quartz

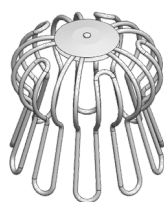
CHINA HAT



Diameter	Za	Ga	SS	Cu
50mm	✓	✓	✓	✓
75mm	✓	✓	✓	✓
100mm	✓	✓	✓	✓
125mm	✓	✓	✓	✓
150mm	✓	✓	✓	✓
175mm	✓	✓	✓	✓
200mm	✓	✓	✓	✓
250mm	✓	✓	✓	✓

SAP CODE: CH*****

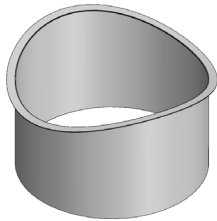
GUTTER SIEVE BASKET



Diameter	Ga	SS	CU
50mm	✓	✓	
80mm	✓	✓	✓
100mm	✓	✓	✓
150mm	✓	✓	

SAP CODE: GSB*****

NOZZLE



Diameter	Za	Ga	SS	ZMF	Cu	PREFA
50mm	✓	✓				
80mm	✓	✓	✓	✓	✓	✓
90mm	✓	✓	✓			
100mm	✓	✓	✓	✓	✓	✓
150mm	✓	✓	✓	✓	✓	

SAP CODE: HRG***NO***

PIPE COVER



Diameter	ZMF	Cu
80 / 115mm	✓	
100 / 115mm	✓	✓

SAP CODE: PIPECOVER*****

REDUCER



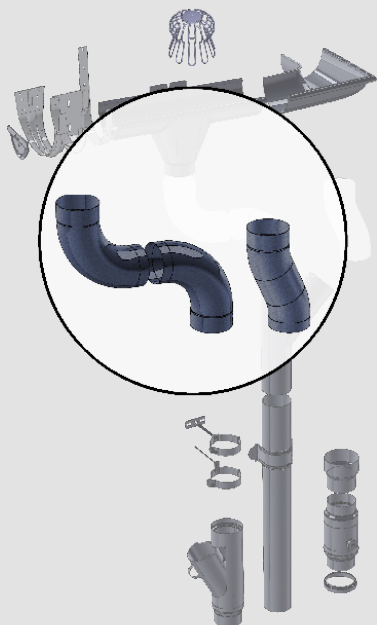
Diameter	ZMF	Cu
100 / 80mm		✓
100 / 90**mm	✓	

SAP CODE: DPR*****

-TO SUIT 90MM STORMWATER

BENDS, ELBOWS & OFFSETS

DOWNPIPE ACCESSORIES



With the largest range of *Elbows, S Curves and custom made mitred offsets*, smooth transitions and clean finishes can be achieved.

Any offset can be attained by using elbows and downpipe sections. Which, are expanded at one end with the 'MASC Downpipe Expander' to join the sections.

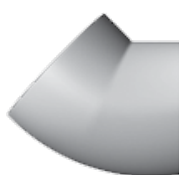
Please refer to the **METAL COMPATABILITY CHART** prior to selection.....(pg. 10)

ELBOWS



40° Elbow

SAP CODE:
EL***40****



45° Elbow

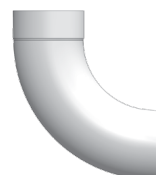
**Cast Powdercoated*

SAP CODE:
EL***45****



72° Elbow

SAP CODE:
EL***72****



85° Elbow

SAP CODE:
EL***85****



90° Elbow

**Cast Powdercoated*

SAP CODE:
EL***90****

LEGEND:

Al	PREFA® Aluminium
Cu	Copper
Ga	Galvanised Steel
ZP	Zinc Plated
SS	Stainless Steel
Za	ZINCALUME® Steel
ZMF	Zinc Mill Finish
VMQ	VM Zinc Quartz

D.P. Diameter	Angle	Za	Ga	Al	SS	Cu	VMQ	ZMF	PREFA
80mm	40°		✓	✓		✓	✓		✓
	72°		✓	✓		✓	✓		✓
	85°			✓		✓	✓		✓
90mm	45°			✓					
	90°			✓					
100mm	40°	✓	✓	✓	✓	✓	✓	✓	✓
	60°								
	72°	✓	✓	✓	✓	✓	✓	✓	✓
	85°	✓	✓	✓	✓	✓	✓	✓	✓
150mm	72°			✓					✓



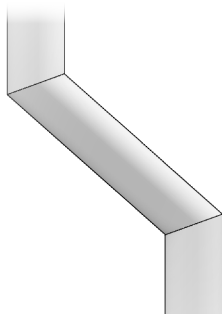
S CURVE



D.P. Diameter	Al	Cu	VMQ	PREFA
80mm	✓	✓	✓	✓
100mm	✓	✓	✓	✓

SAP CODE: ELS*****

MITRED OFFSETS

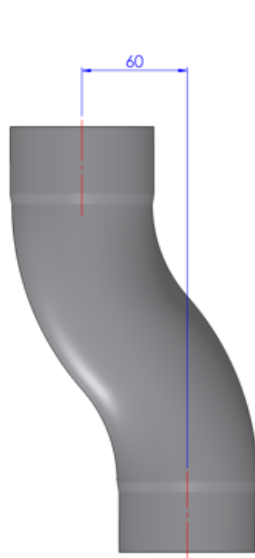


Mitred offsets are custom made to suit your project's requirements.

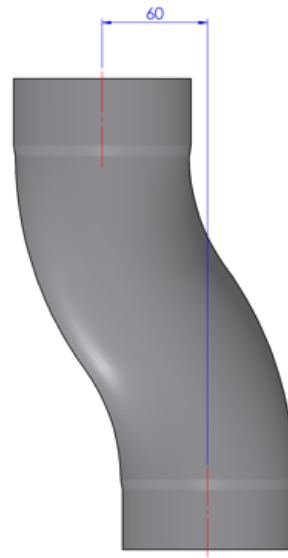
Contact us to enquire about custom mitred offsets.

BENDS & ELBOWS (DIAGRAMS)

S-CURVE

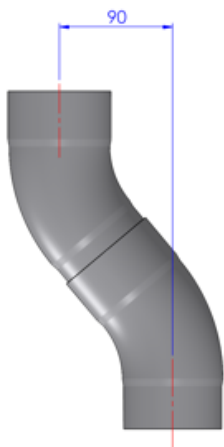


ELS-80

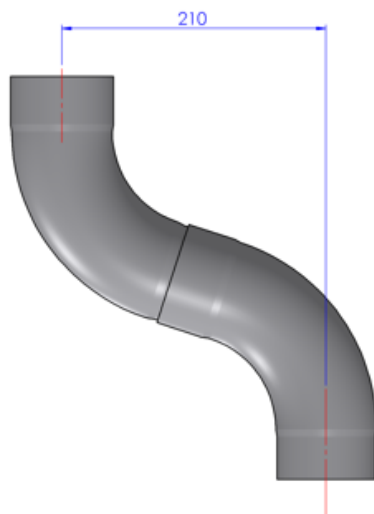


ELS-100

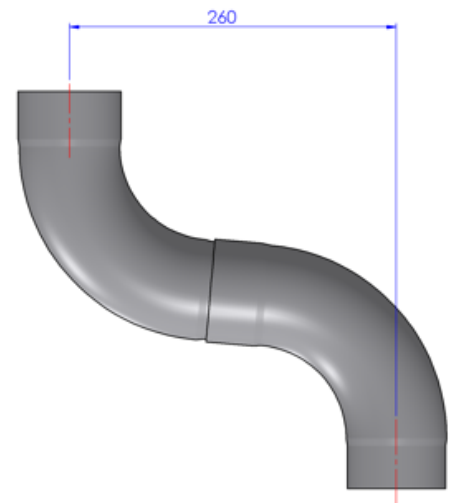
ELBOWS



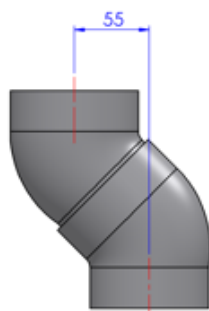
EL-80-40



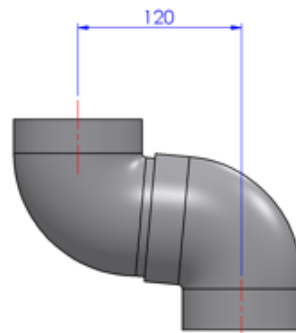
EL-80-72



EL-80-85



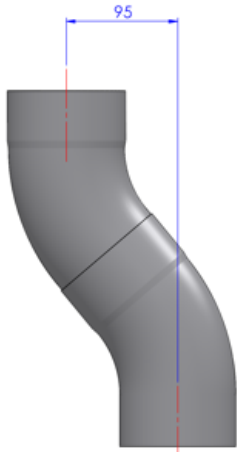
EL-90-45



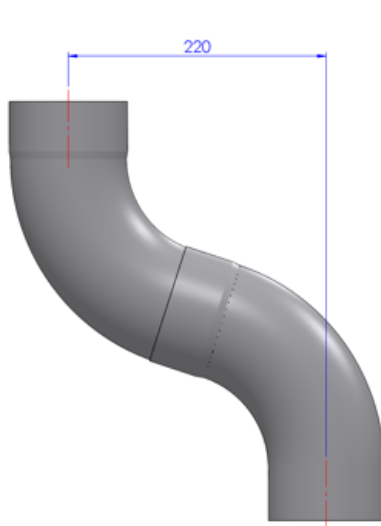
EL-90-85

BENDS & ELBOWS (DIAGRAMS)

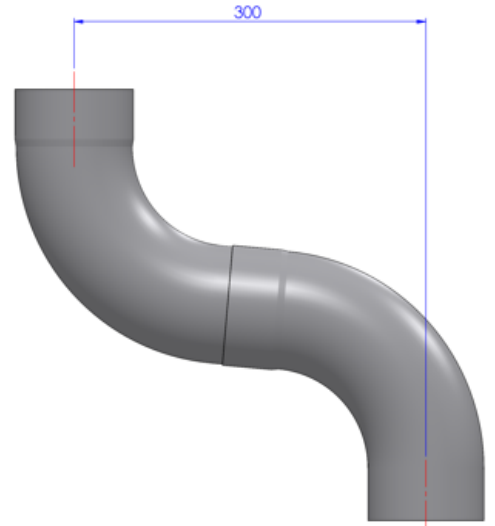
ELBOWS



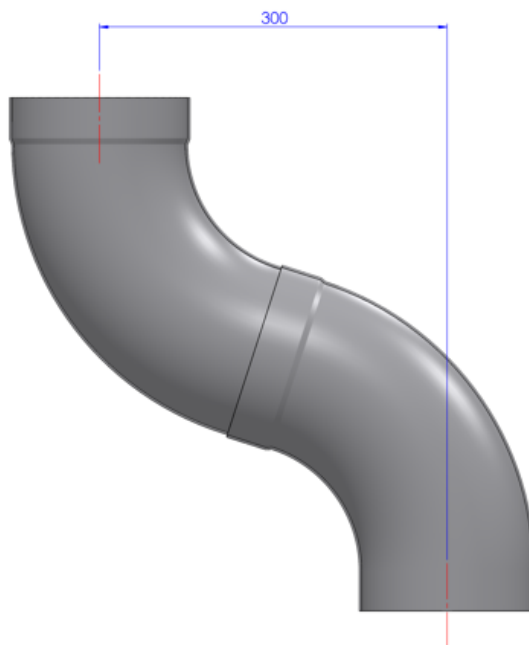
EL-100-40



EL-100-72



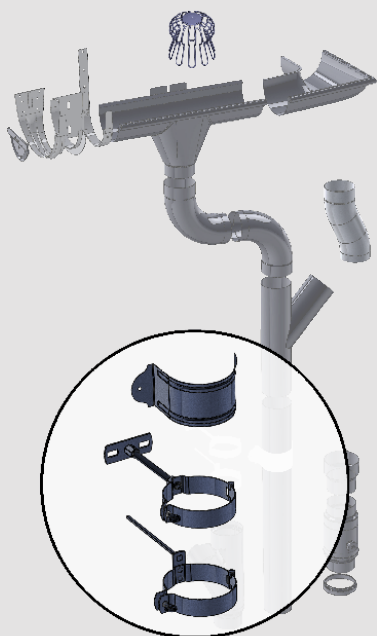
EL-100-85



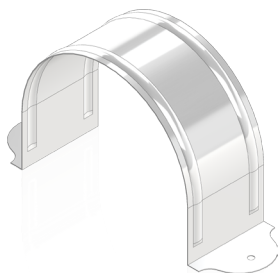
EL-150-72

DOWNPIPE BRACKETS

DOWNPIPE BRACKETS



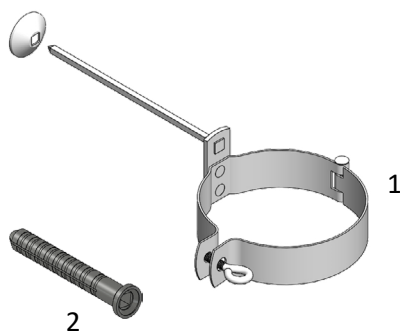
ASTRAGALS



Diameter	Za	Ga	SS	Cu
50mm	✓	✓		✓
80mm		✓		✓
90mm	✓	✓	✓	
100mm	✓	✓	✓	✓
150mm	✓	✓	✓	✓

SAP CODE: AST*****

ASTRAGAL STAND-OFF



Diameter	Ga	Cu
80mm	✓	✓
100mm	✓	✓
150mm	✓	

Min D.P. Offset from wall = 25mm

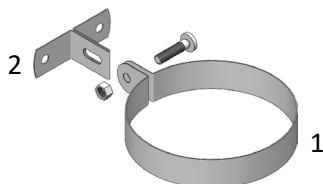
SAP CODE: 1. ASTSTO*****

2. ASTSTOPLUGS

DOWNPIPE STRAPS

(90MM ONLY)

T-BRACKET



Strap with:	Diameter	Za
Plate	90mm	✓
Threaded Rod	90mm	✓

Offset from wall = 37mm

Suitable to fix into: **Timber, Metal or Mortar**

SAP CODE: 1. DPS90****

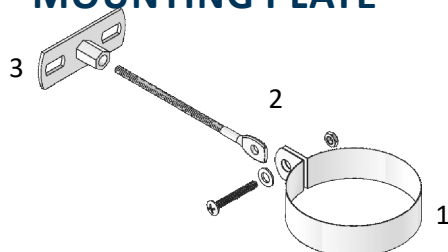
2. DP-TBRACKET

Please refer to the **METAL COMPATABILITY CHART** prior to selection.....(pg. 10)

LEGEND:

Al	PREFA® Aluminium
Cu	Copper
Ga	Galvanised Steel
ZP	Zinc Plated
SS	Stainless Steel
Za	ZINCALUME® Steel
ZMF	Zinc Mill Finish
VMQ	VM Zinc Quartz

THREADED ROD TO MOUNTING PLATE



Rod Length	Suitable OFFSET:
100mm	

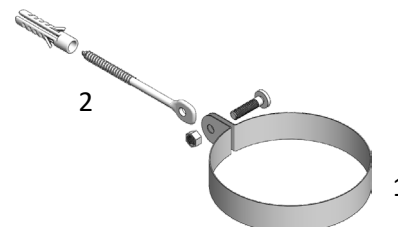
Suitable to fix into: **Timber, Metal or Mortar**

SAP CODE: 1. DPS90****

2. DPS-RODGA100

3. DPC-MPGA

ROD SCREW TO SUIT BOLT



Rod Length	Suitable OFFSET:
100mm	30mm - 65mm
150mm	35mm - 140mm

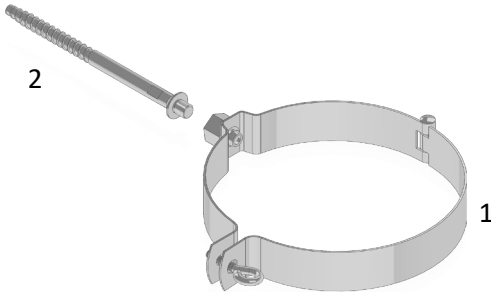
Suitable to fix into: **Timber, or Mortar**

SAP CODE: 1. DPS90****

2. DPS-RODSCREWGA100

DOWNPIPE CLAMPS

ROD SCREW

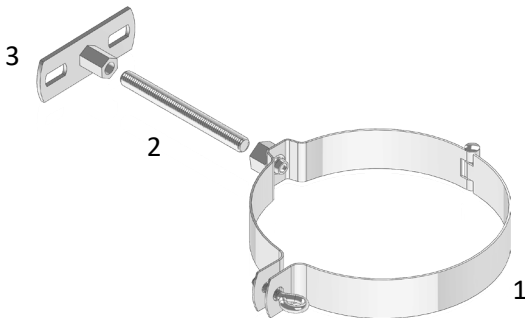


Clamp Diameter	Al	Ga	SS	Cu	Suitable OFFSET		
80mm	✓	✓	✓	✓			
90mm		✓					
100mm	✓	✓	✓	✓			
150mm	✓	✓	✓	✓			
Rod Screw Length	ZP	Ga	SS	Cu	ZMF	MIN	MAX
100mm	✓	✓	✓		✓	30mm	80mm
140mm	✓		✓			30mm	100mm
200mm	✓					30mm	145mm

Suitable to fix into: **Timber** or **Mortar**

SAP CODE: 1. DPC****
2. DPC-RODSCREW****

THREADED ROD TO MOUNTING PLATE

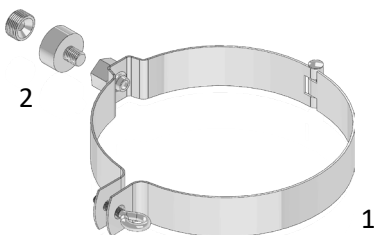


Clamp Diameter	Al	Ga	SS	Cu	Suitable MAX OFFSET	
80mm	✓	✓	✓	✓		
90mm		✓				
100mm	✓	✓	✓	✓		
150mm	✓	✓	✓	✓		
Rod Length	ZP	Ga	SS	Cu	ZMF	Suitable MAX OFFSET
50mm		✓	✓			75mm
100mm		✓	✓			140mm

Suitable to fix into: **Timber**, **Metal** or **Mortar**

SAP CODE: 1. DPC****
2. DPC-ROD*****
3. DPC-MPGA

FACADE ADAPTOR



Clamp Diameter	Al	Ga	SS	Cu	Suitable MAX OFFSET	
80mm	✓	✓	✓			
90mm		✓				
100mm	✓	✓	✓			
150mm	✓	✓	✓	✓		
Facade Adaptor	Al	Ga	SS	Cu	Suitable MAX OFFSET	
	✓	✓			40mm	

Suitable to fix into: **Timber**, **Metal** or **Mortar**

SAP CODE: 1. DPC****
2. DPC-FA



Variants for 150mm DP Clamps is also added (without hinge) - only available for Copper

CONTACT US

Our expert team can consult with you on any questions regarding our product lines.

Address: Unit 2/42 Raymond Ave
Matraville NSW 2036

Phone: (02) 9810 0915
Fax: (02) 9555 8909

Website: www.kfcrs.com.au
Email: sales@kfcrs.com.au



PRODUCT RANGE:

KFC Roofing Supplies stocks a complete range of roofing supplies for all projects and applications. Browse our lines of downpipes to match your gutters here, or view our complete range of roofing tools here.

Contact us to discuss all range items, or come into our conveniently located Matraville showroom.

ORDERING:

To order, please contact sales and submit an order form.

TRAINING:

KFC Roofing offers training workshops to ensure you gain the maximum benefit from your products. Please contact us and we will provide you with the details of the next session.

