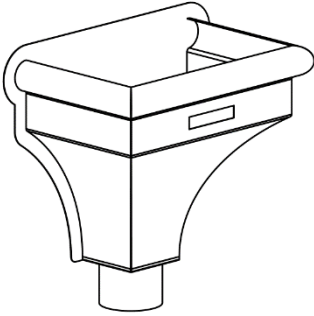
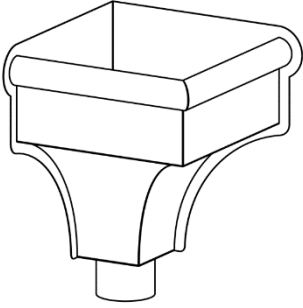
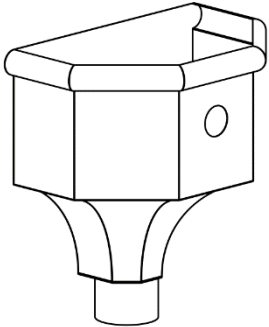
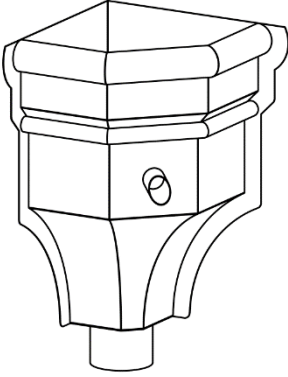
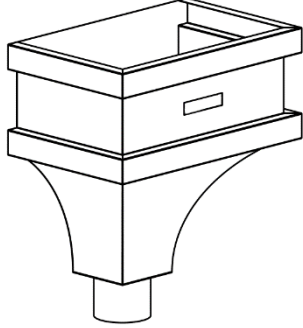
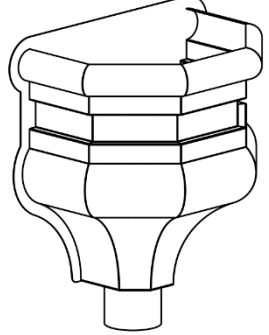
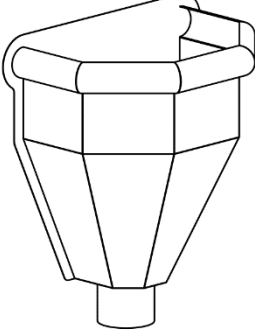
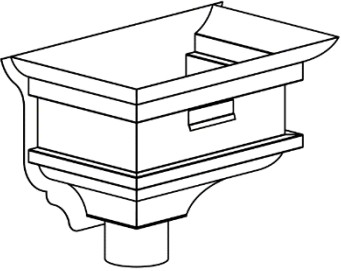
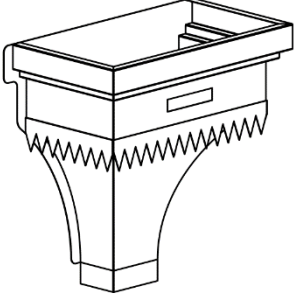
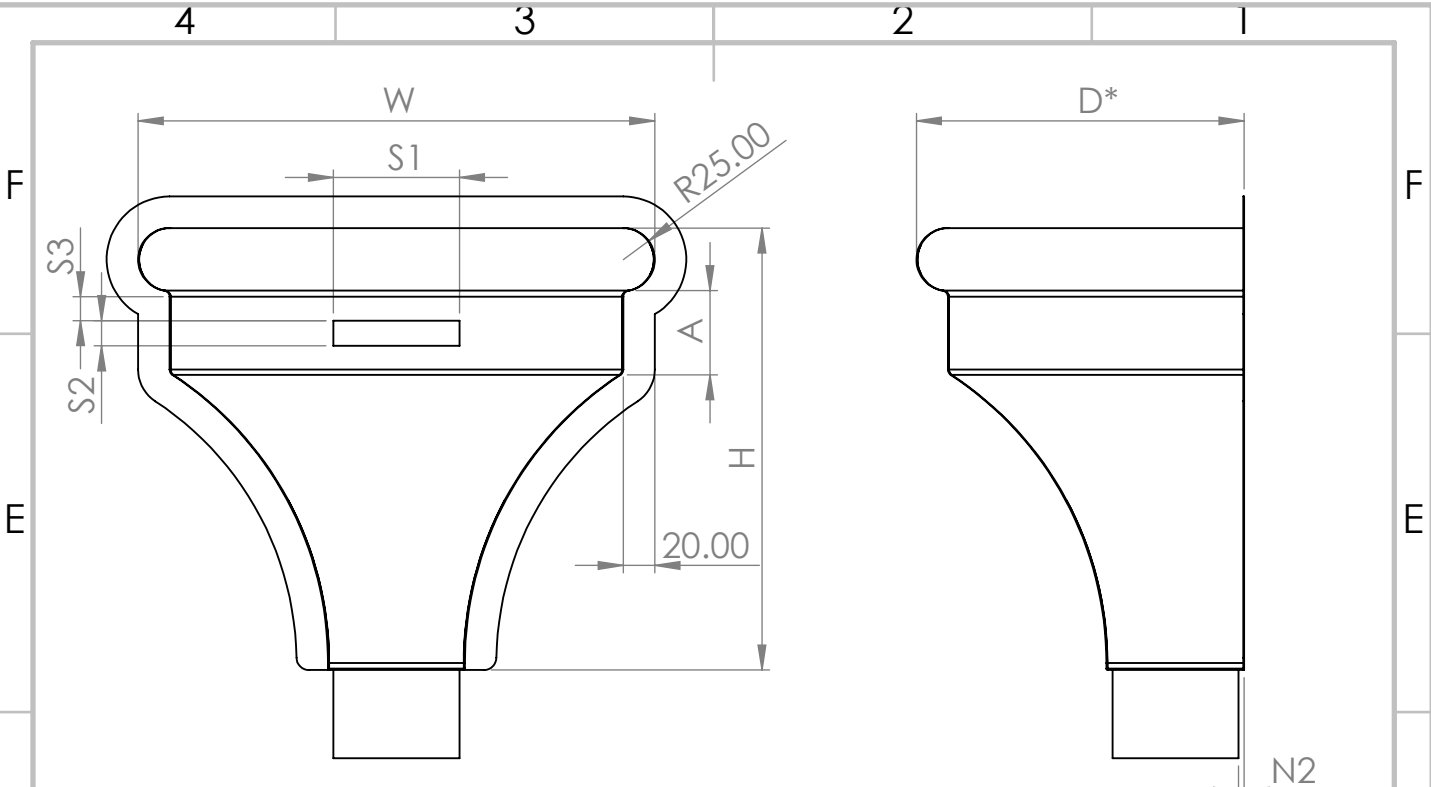


HERITAGE RAINWATERHEAD BOOKLET

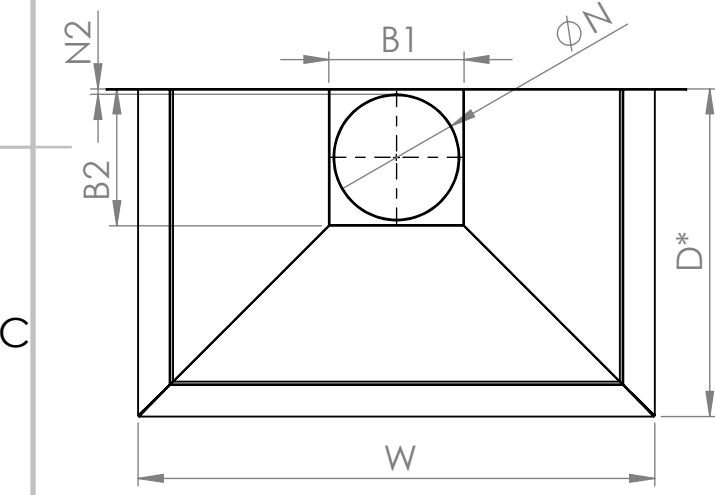


<p>Heritage Ogee</p>  <p>1</p>	<p>Corner Heritage Ogee-Type 1</p>  <p>2</p>	<p>5 Sided Heritage Ogee</p>  <p>3</p>
<p>Corner Heritage Ogee-Type 2</p>  <p>4</p>	<p>Special Curved Tapered Bottom</p>  <p>5</p>	<p>Norfolk Style</p>  <p>6</p>
<p>Victorian</p>  <p>7</p>	<p>Ornate-Type 1</p>  <p>8</p>	<p>Ornate-Type 2</p>  <p>9</p>

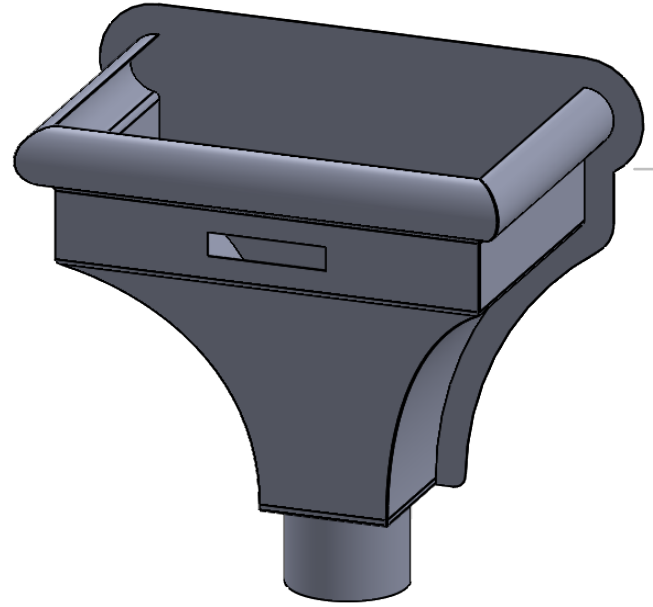


FRONT VIEW

SIDE VIEW



PLAN VIEW



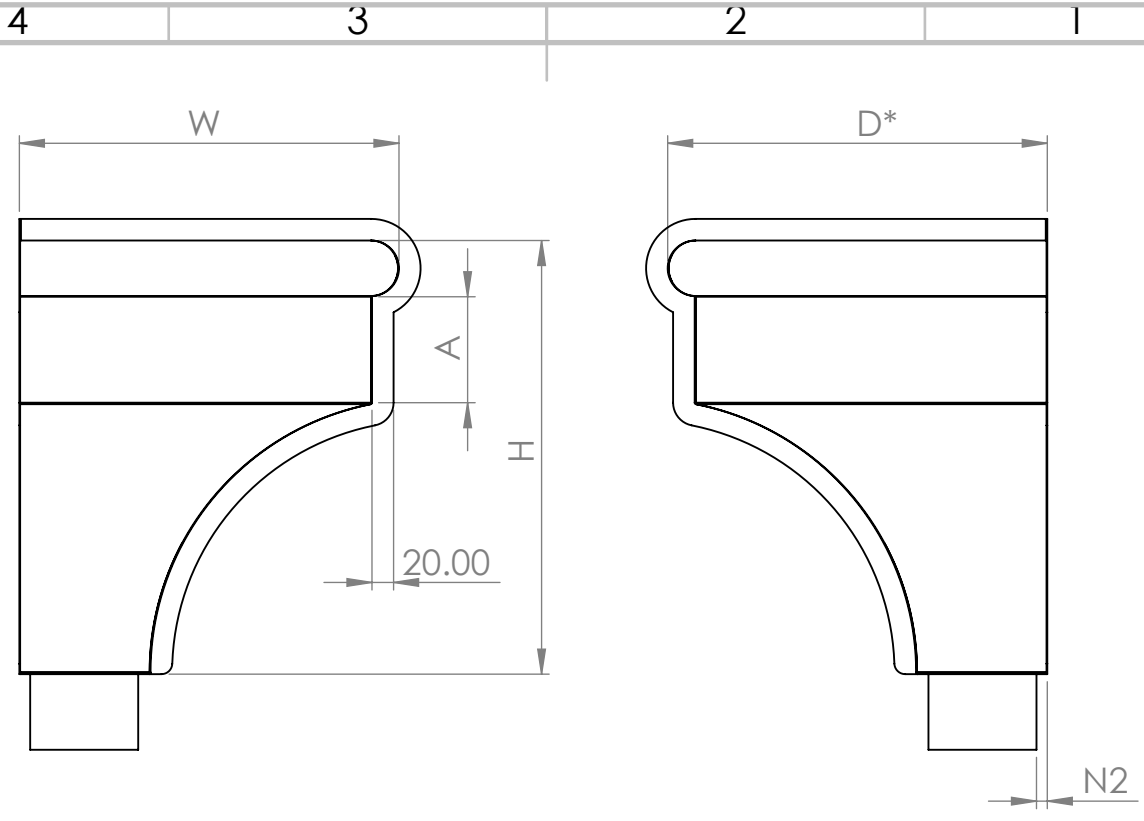
ISOMETRIC VIEW

NOTE - Depth (D) is for reference purpose only and depends on Width(W) of RWH.

	B1	B2	H	W	D	Material Availability (Please fick required):
Small	110	110	300	300	230	<ul style="list-style-type: none"> 1.20BMT Aluminium - TIG welded 1.20BMT Aluminium - Powdercoated 0.70BMT Copper - Soldered 0.70BMT Galvanized - Soldered 0.55BMT Stainless Steel - Soldered 0.70BMT Zinc Mill Finish - Soldered
Medium	110	110	400	400	280	
Large	110	110	500	500	330	
Custom						

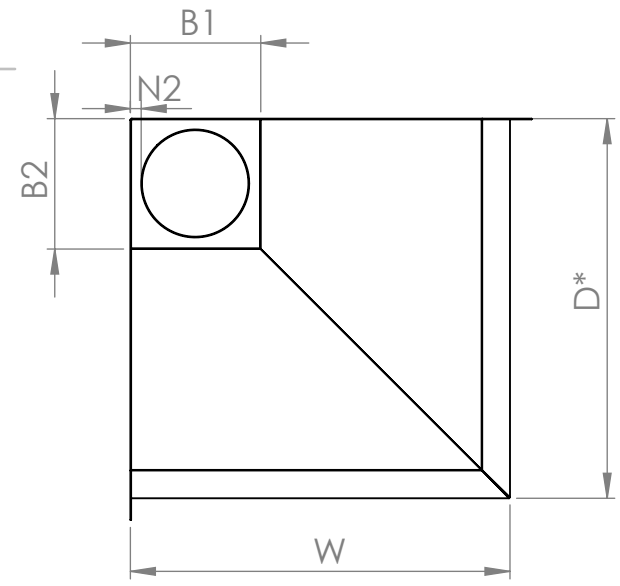
NOTE - Custom sizing would incur additional charges

PLEASE INDICATE NOZZLE/OVERFLOW/OTHER DIMENSIONS IN ABOVE DRAWINGS

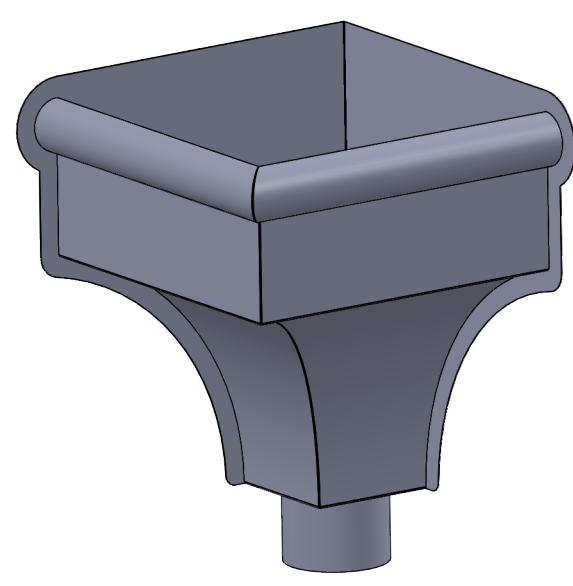


FRONT VIEW

SIDE VIEW



PLAN VIEW



ISOMETRIC VIEW

NOTE - Depth (D) is for reference purpose only and depends on Width(W) of RWH.

	B1	B2	H	W	D	Material Availability (Please tick required):
Small	110	110	300	250	250	<ul style="list-style-type: none"> • 1.20BMT Aluminium - TIG welded • 1.20BMT Aluminium - Powdercoated • 0.70BMT Copper - Soldered • 0.70BMT Galvanized - Soldered • 0.55BMT Stainless Steel - Soldered • 0.70BMT Zinc Mill Finish - Soldered
Medium	110	110	400	350	350	
Large	110	110	500	450	450	
Custom						

NOTE - Custom sizing would incur additional charges

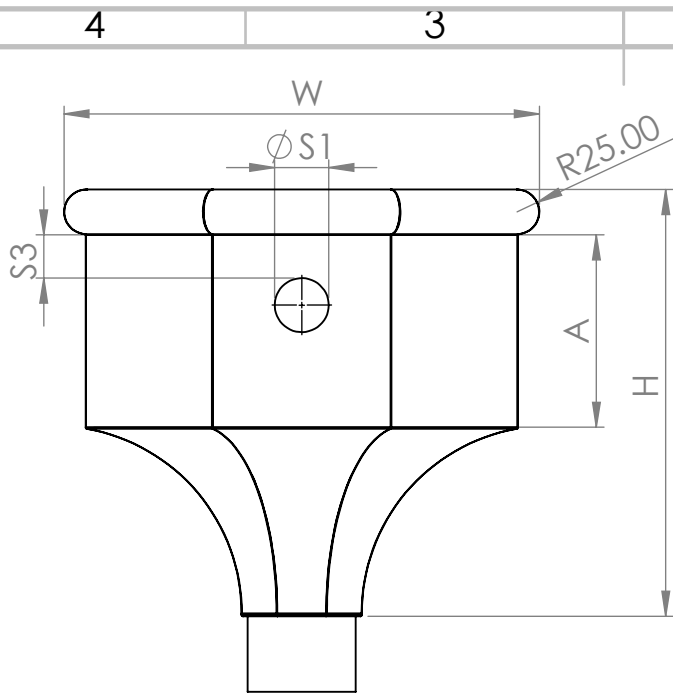
PLEASE INDICATE NOZZLE/OVERFLOW/OTHER DIMENSIONS IN ABOVE DRAWINGS



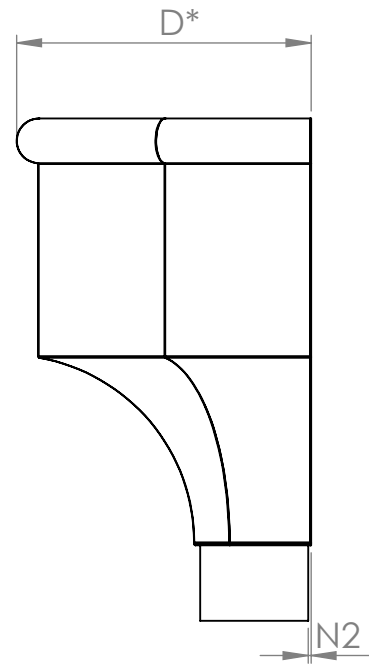
All dimensions are in millimetres

TITLE
Corner Heritage Ogee-Type 1

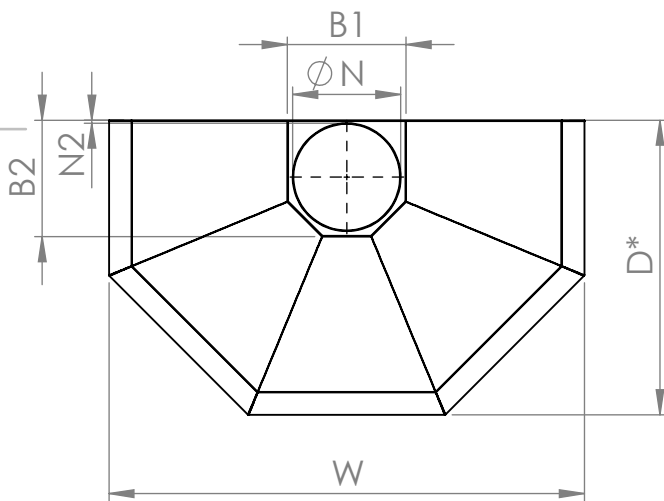
Page
2



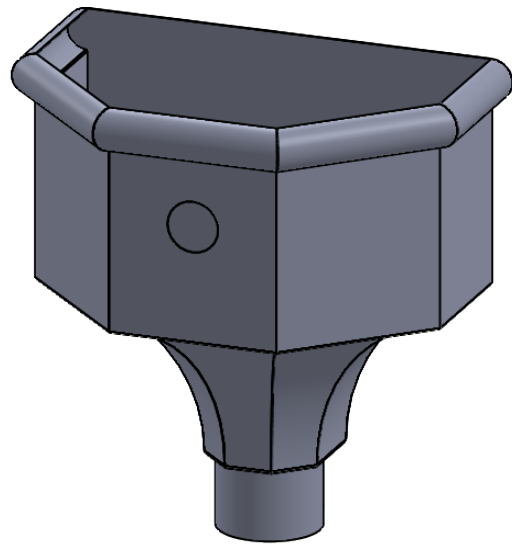
FRONT VIEW



SIDE VIEW



PLAN VIEW



ISOMETRIC VIEW

NOTE - Depth (D) is for reference purpose only and depends on Width(W) of RWH.

	B1	B2	H	W	D	Material Availability (Please fick required):
Small	-	-	-	-	-	<ul style="list-style-type: none"> 1.20BMT Aluminium - TIG welded 1.20BMT Aluminium - Powdercoated 0.70BMT Copper - Soldered 0.70BMT Galvanized - Soldered 0.55BMT Stainless Steel - Soldered 0.70BMT Zinc Mill Finish - Soldered
Medium	110	110	400	400	280	
Large	-	-	-	-	-	
Custom						

NOTE - Custom sizing would incur additional charges

PLEASE INDICATE NOZZLE/OVERFLOW /OTHER DIMENSIONS IN ABOVE DRAWINGS



All dimensions are in millimetres

TITLE

5 Sided Heritage Ogee

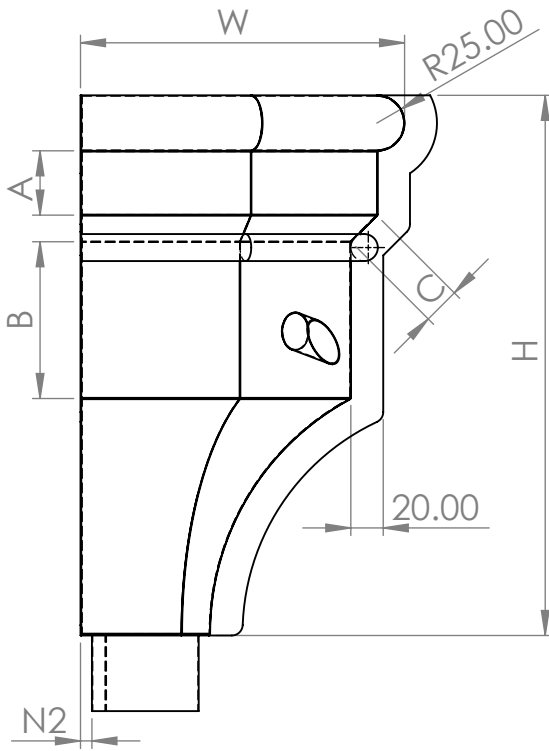
Page

3

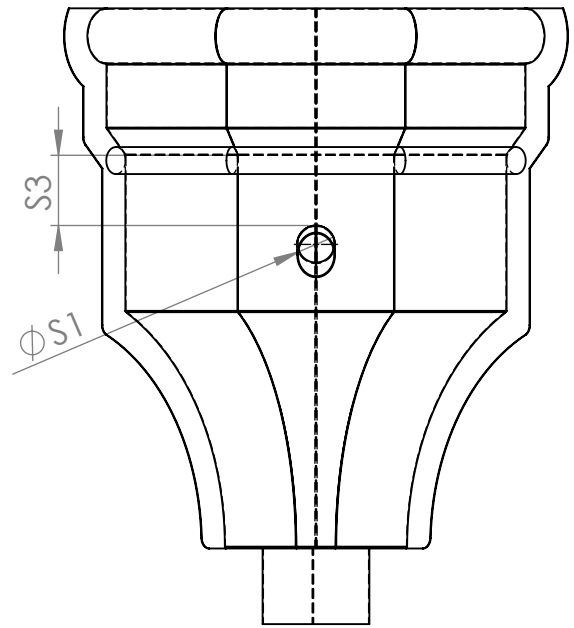
WEBSITE: www.kfcroofing.com.au

PH: 02 9810 0915

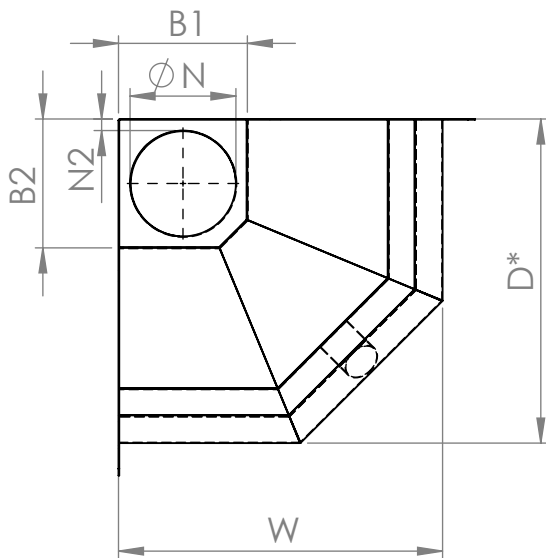
FILE PATH Z:\Development files\Rainwaterheads Booklet\Heritage Ogee\Standard\



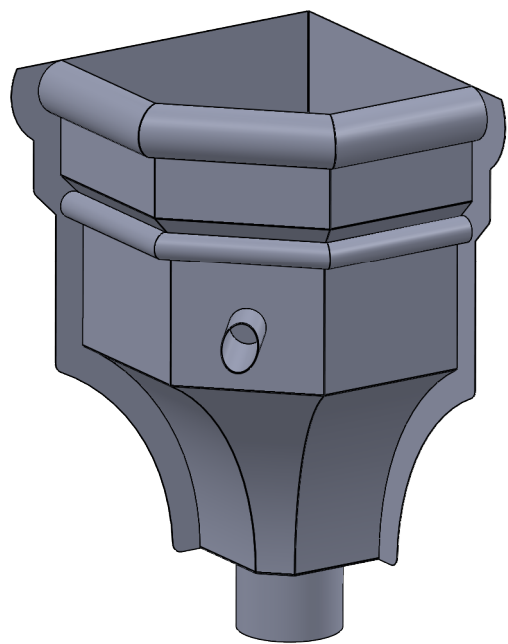
SIDE VIEW



FRONT VIEW



TOP VIEW



ISOMETRIC VIEW

NOTE - Depth (D) is for reference purpose only and depends on Width(W) of RWH.

	B1	B2	H	W	D	Material Availability (Please tick required):
Small	-	-	-	-	-	<ul style="list-style-type: none"> • 0.70BMT Copper - Soldered • 0.55BMT Stainless Steel - Soldered • 0.70BMT Galvanized - Soldered • 0.70BMT Zinc Mill Finish - Soldered
Medium	110	110	400	400	400	
Large	-	-	-	-	-	
Custom						

NOTE - Custom sizing would incur additional charges

PLEASE INDICATE NOZZLE/OVERFLOW/OTHER DIMENSIONS IN ABOVE DRAWINGS



All dimensions are in millimetres

TITLE

Corner Heritage Ogee-Type 2

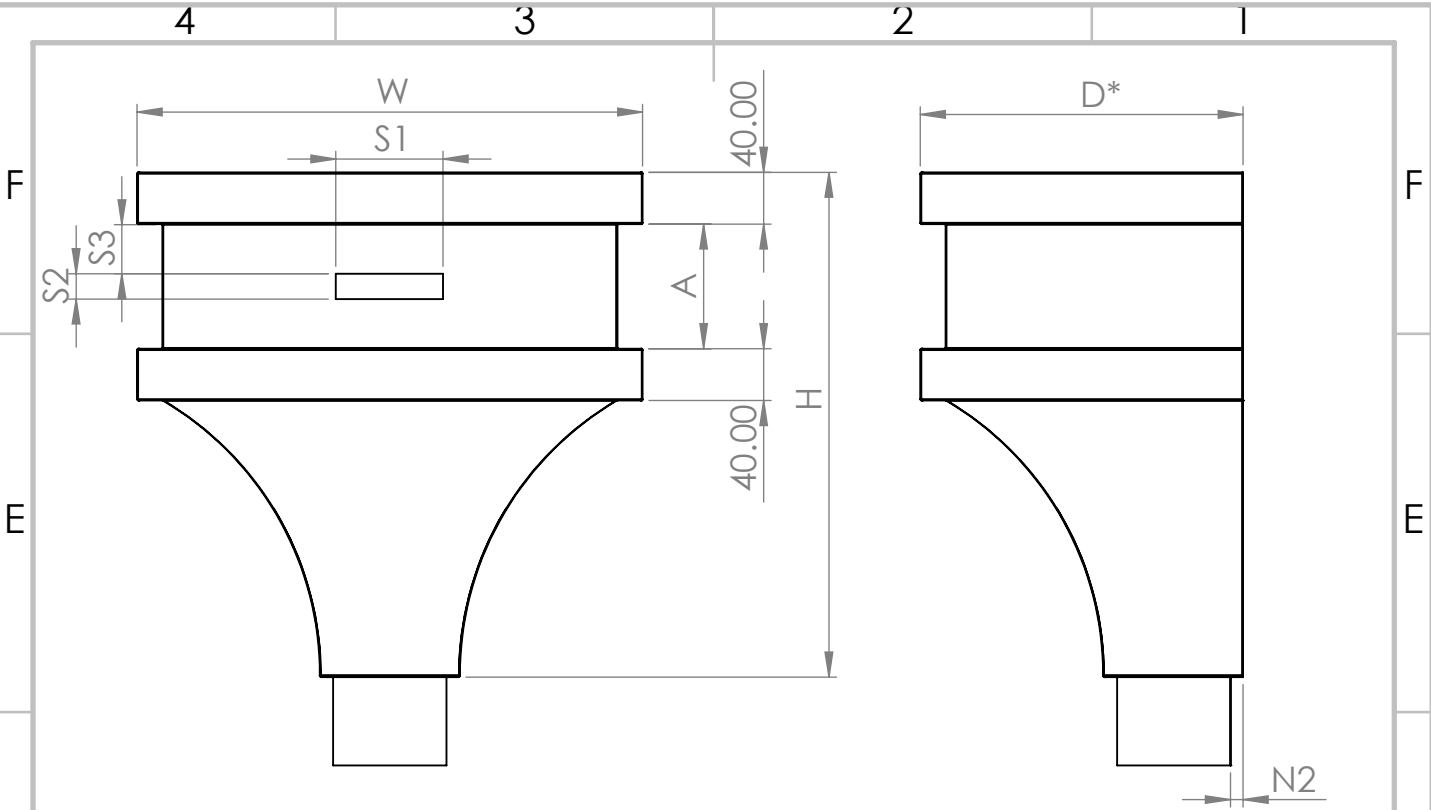
Page

4

WEBSITE: www.kfcroofing.com.au

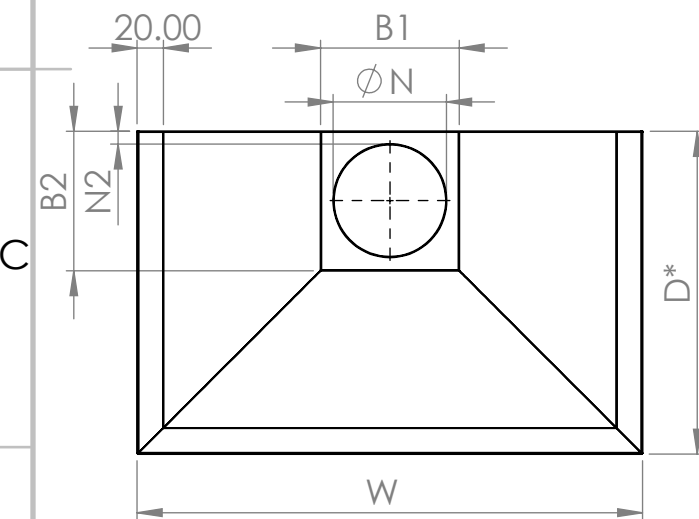
PH: 02 9810 0915

FILE PATH Z:\Development files\Rainwaterheads Booklet\Heritage Ogee\Corner\

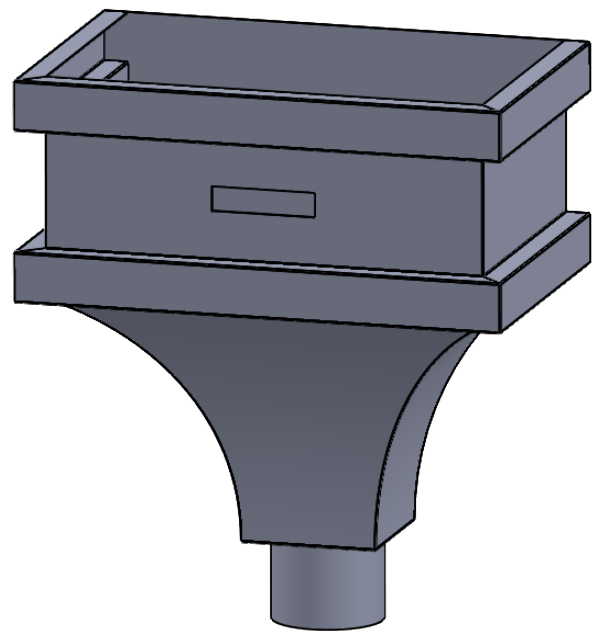


FRONT VIEW

SIDE VIEW



PLAN VIEW



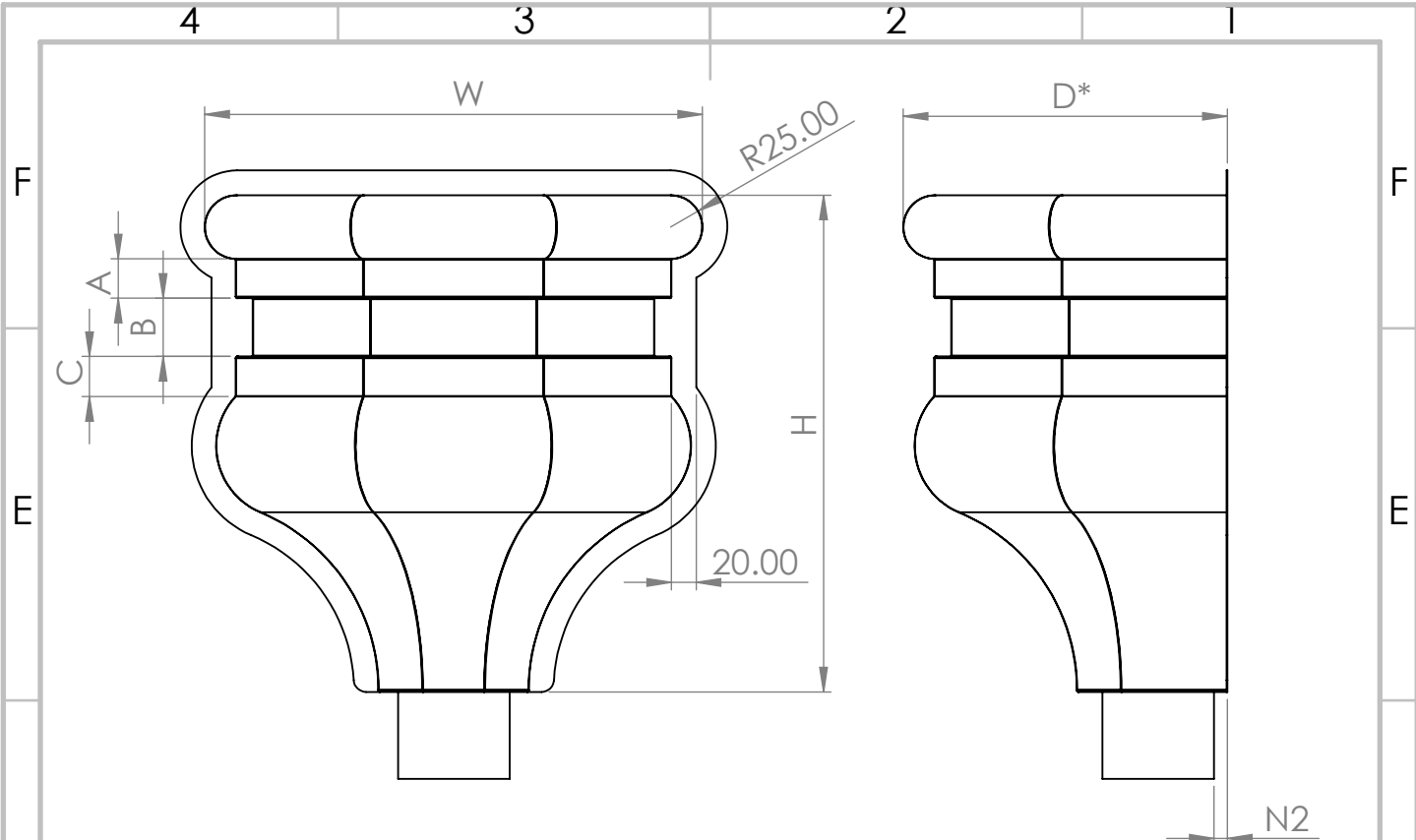
ISOMETRIC VIEW

NOTE - Depth (D) is for reference purpose only and depends on Width(W) of RWH.

	B1	B2	H	W	D	Material Availability (Please tick required):
Small	-	-	-	-	-	<ul style="list-style-type: none"> • 1.20BMT Aluminium - TIG welded • 1.20BMT Aluminium - Powdercoated • 0.70BMT Copper - Soldered • 0.70BMT Galvanized - Soldered • 0.55BMT Stainless Steel - Soldered • 0.70BMT Zinc Mill Finish - Soldered
Medium	110	110	400	400	255	
Large	-	-	-	-	-	
Custom						

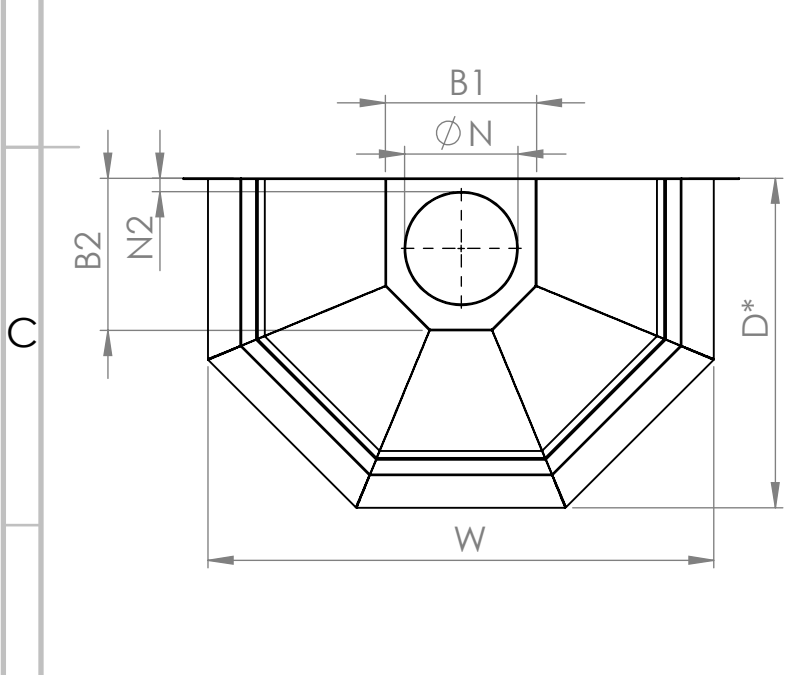
NOTE - Custom sizing would incur additional charges

PLEASE INDICATE NOZZLE/OVERFLOW/OTHER DIMENSIONS IN ABOVE DRAWINGS

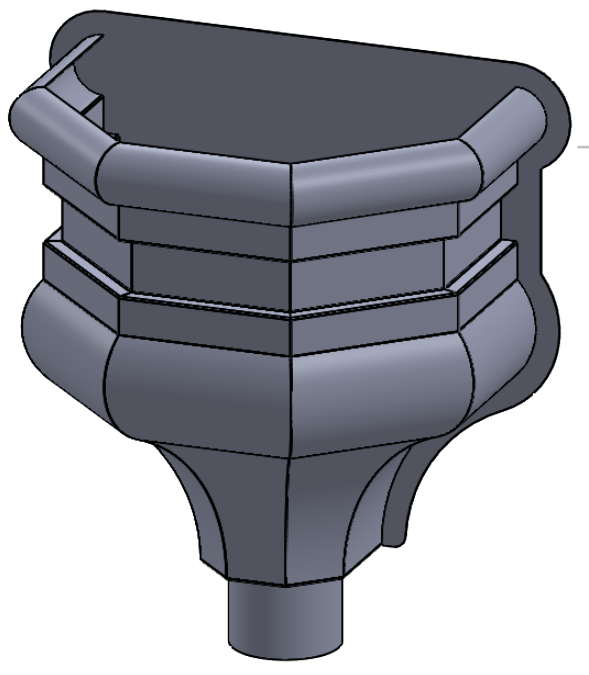


FRONT VIEW

SIDE VIEW



PLAN VIEW



ISOMETRIC VIEW

NOTE - Depth (D) is for reference purpose only and depends on Width(W) of RWH.

	B1	B2	H	W	D	Material Availability (Please fick required): <ul style="list-style-type: none"> • 0.70BMT Copper - Soldered • 0.70BMT Galvanized - Soldered • 0.70BMT Zinc Mill Finish - Soldered
Small	-	-	-	-	-	
Medium	120	120	400	400	260	
Large	-	-	-	-	-	
Custom						

NOTE - Custom sizing would incur additional charges

PLEASE INDICATE NOZZLE/OVERFLOW/OTHER DIMENSIONS IN ABOVE DRAWINGS



All dimensions are in millimetres

TITLE

Norfolk Style

Page

6

WEBSITE: www.kfcroofing.com.au

PH: 02 9810 0915

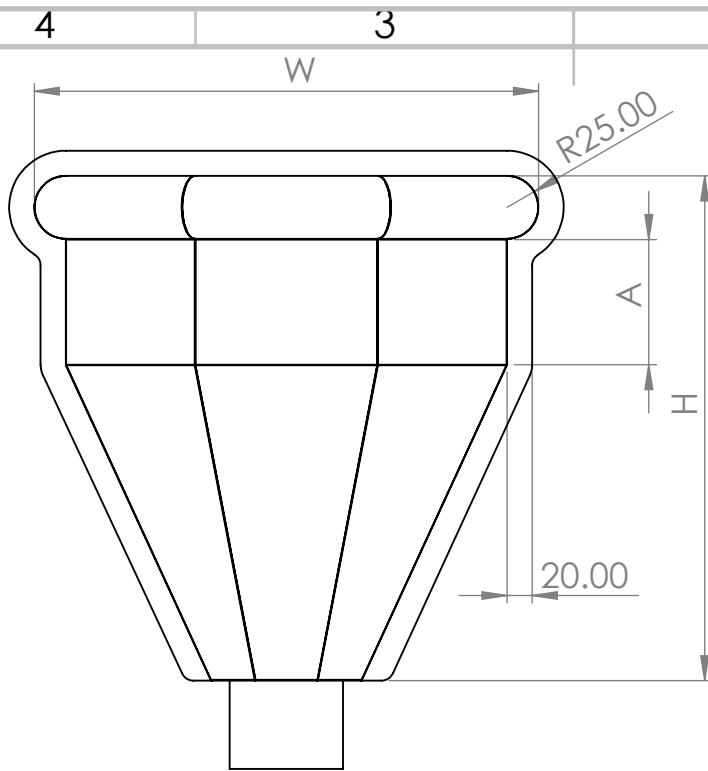
FILE PATH Z:\Development files\Rainwaterheads Booklet\Norfolk Style\

4

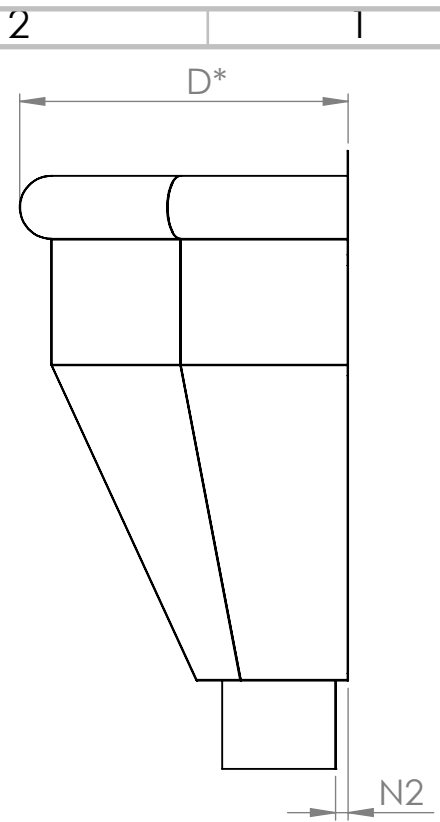
3

2

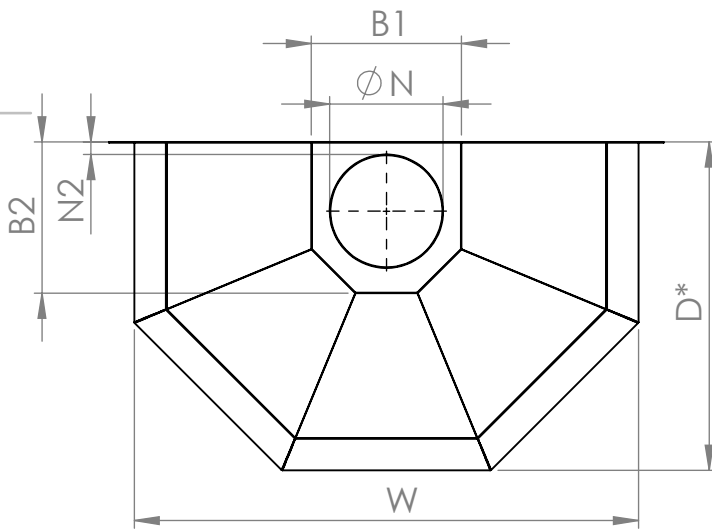
1



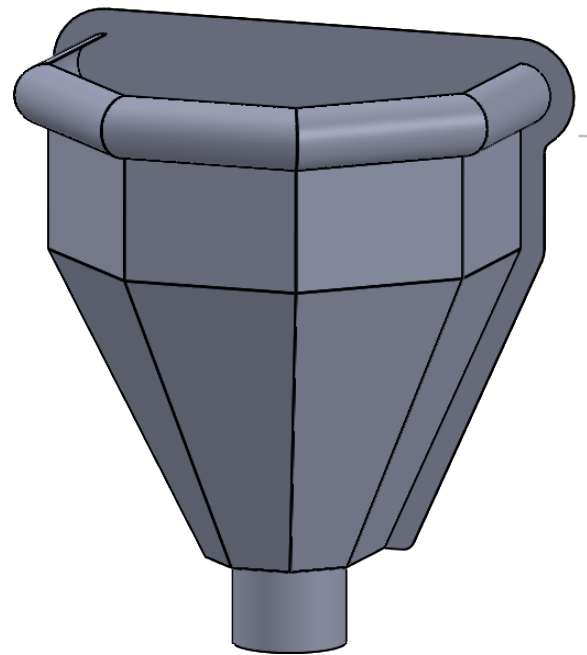
FRONT VIEW



SIDE VIEW



PLAN VIEW



ISOMETRIC VIEW

NOTE - Depth (D) is for reference purpose only and depends on Width(W) of RWH.

	B1	B2	H	W	D	Material Availability (Please tick required):
Small	-	-	-	-	-	<ul style="list-style-type: none"> • 1.20BMT Aluminium - TIG welded • 1.20BMT Aluminium - Powdercoated • 0.70BMT Copper - Soldered • 0.70BMT Galvanized - Soldered • 0.70BMT Zinc Mill Finish - Soldered
Medium	120	120	400	400	260	
Large	-	-	-	-	-	
Custom						

NOTE - Custom sizing would incur additional charges

PLEASE INDICATE NOZZLE/OVERFLOW/OTHER DIMENSIONS IN ABOVE DRAWINGS



All dimensions are in millimetres

TITLE

Victorian

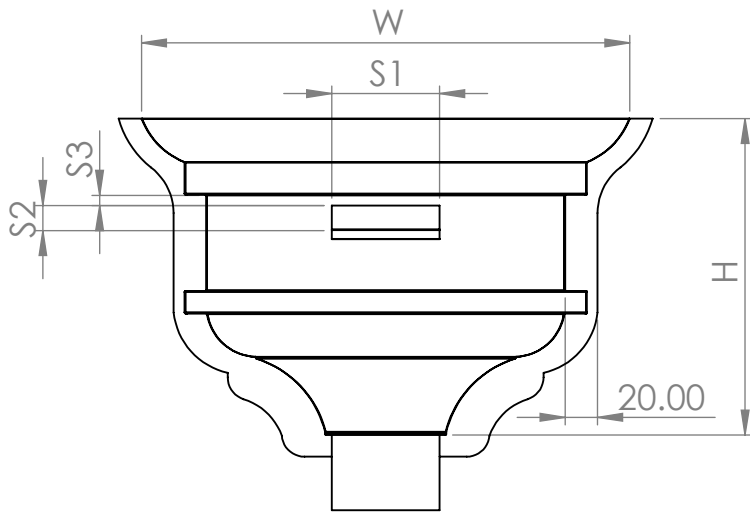
Page

7

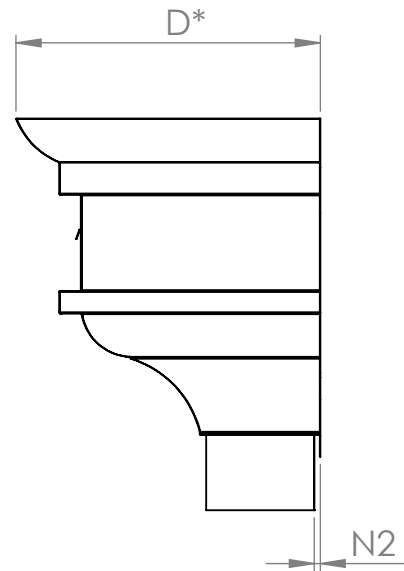
WEBSITE: www.kfcroofing.com.au

PH: 02 9810 0915

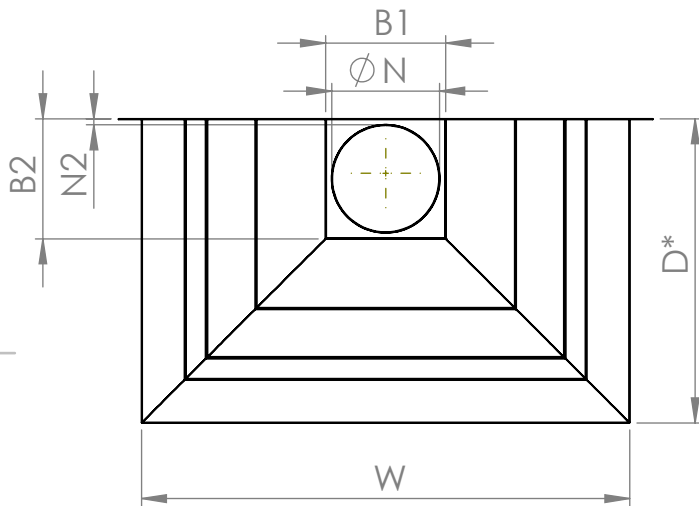
FILE PATH Z:\Development files\Rainwaterheads Booklet\Victorian Style\



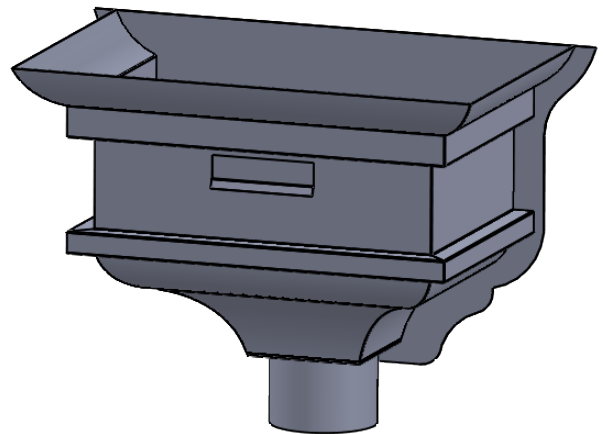
FRONT VIEW



SIDE VIEW



PLAN VIEW



ISOMETRIC VIEW

NOTE - Depth (D) is for reference purpose only and depends on Width(W) of RW.H.

	B1	B2	H	W	D	Material Availability (Please tick required):
Small	-	-	-	-	-	<ul style="list-style-type: none"> • 0.70BMT Copper - Soldered • 0.70BMT Galvanized - Soldered • 0.70BMT Zinc Mill Finish - Soldered
Medium	110	110	400	400	260	
Large	-	-	-	-	-	
Custom						

NOTE - Custom sizing would incur additional charges

PLEASE INDICATE NOZZLE/OVERFLOW/OTHER DIMENSIONS IN ABOVE DRAWINGS



All dimensions are in millimetres

TITLE

Ornate - Type 1

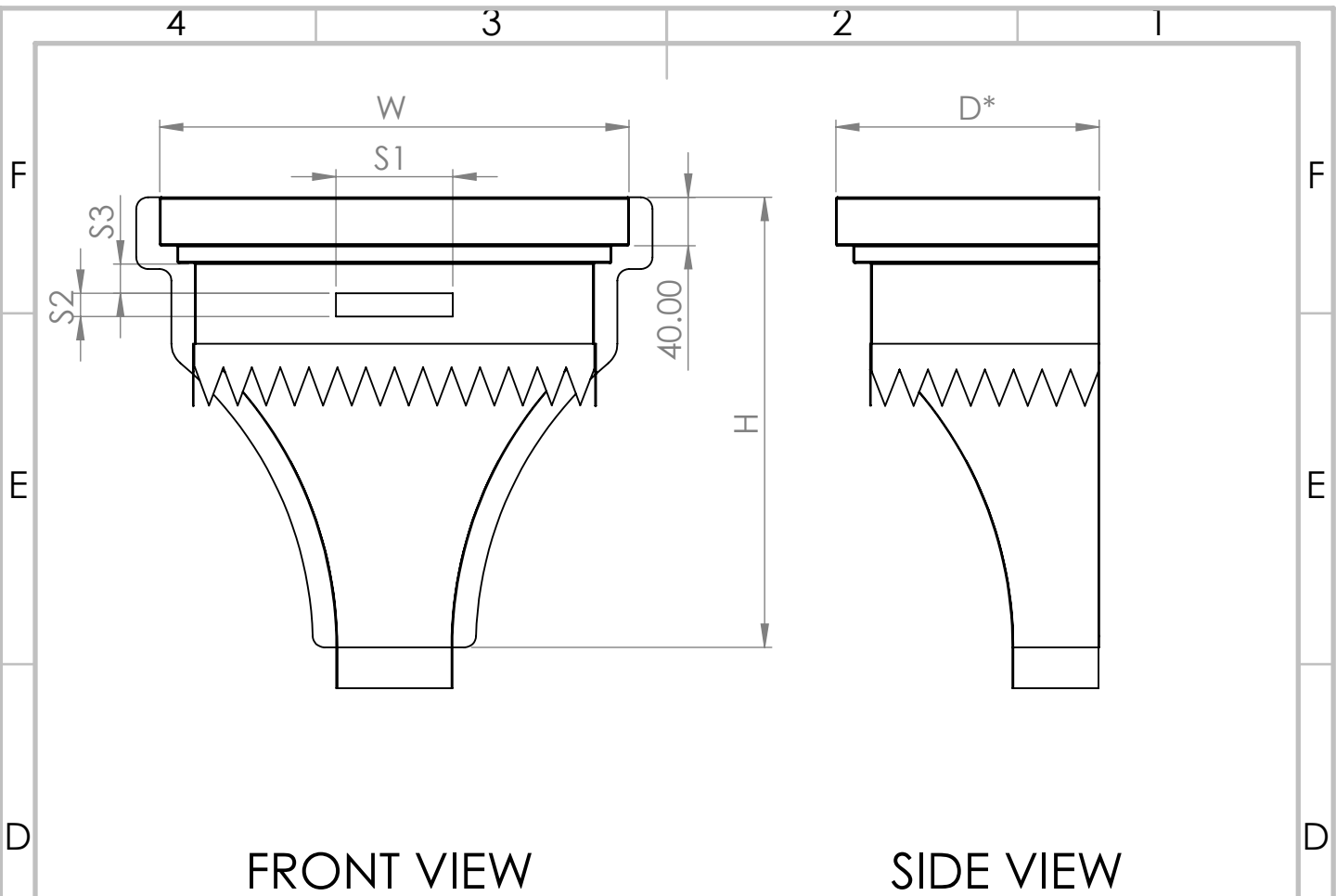
Page

8

WEBSITE: www.kfcroofing.com.au

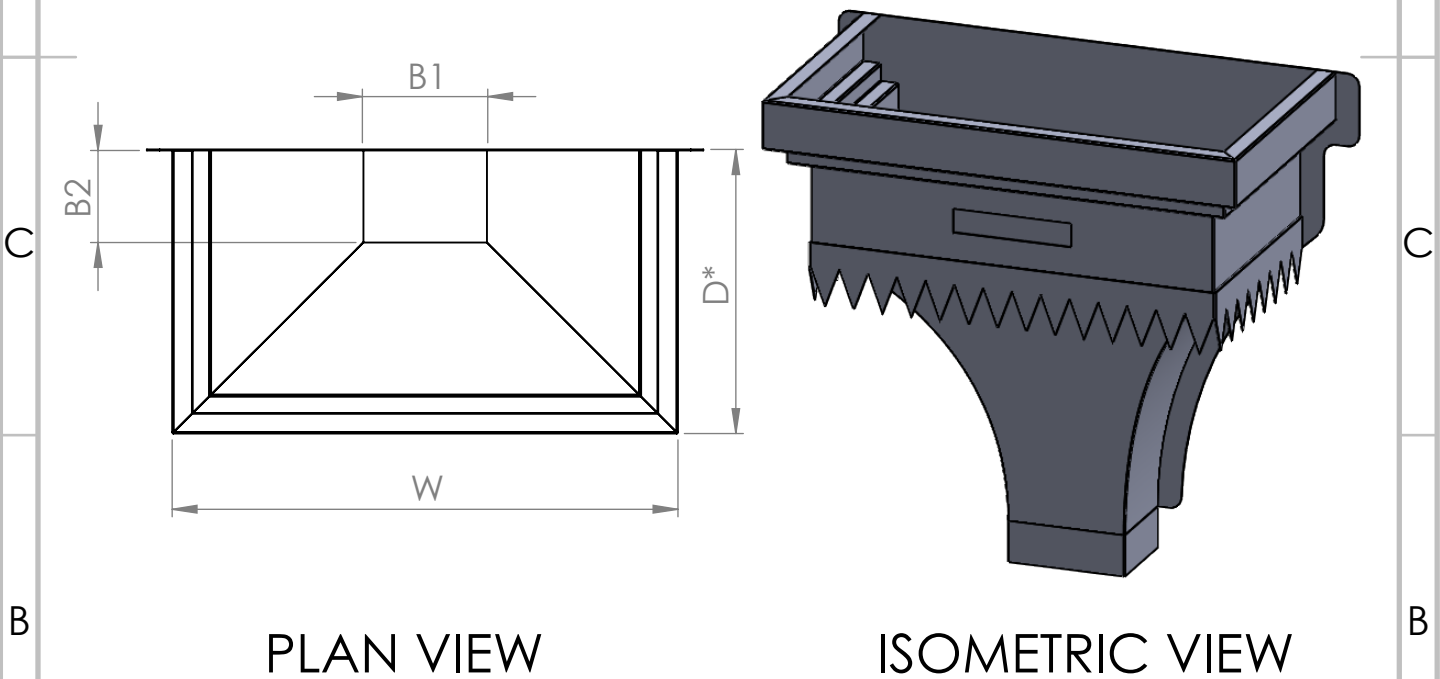
PH: 02 9810 0915

FILE PATH Z:\Development files\Rainwaterheads Booklet\Ornate\



FRONT VIEW

SIDE VIEW



PLAN VIEW

ISOMETRIC VIEW

NOTE - Depth (D) is for reference purpose only and depends on Width(W) of RWH.

	B1	B2	H	W	D	Material Availability (Please tick required):
Small	-	-	-	-	-	<ul style="list-style-type: none"> • 0.70BMT Copper - Soldered • 0.70BMT Galvanized - Soldered • 0.70BMT Zinc Mill Finish - Soldered
Medium	98	73	400	400	230	
Large	-	-	-	-	-	
Custom						

NOTE - Custom sizing would incur additional charges

PLEASE INDICATE NOZZLE/OVERFLOW/OTHER DIMENSIONS IN ABOVE DRAWINGS



All dimensions are in millimetres

TITLE

Ornate - Type 2

Page

9

WEBSITE: www.kfcroofing.com.au

PH: 02 9810 0915

FILE PATH Z:\Development files\Rainwaterheads Booklet\Ornate\