

PEPIN PRECAST

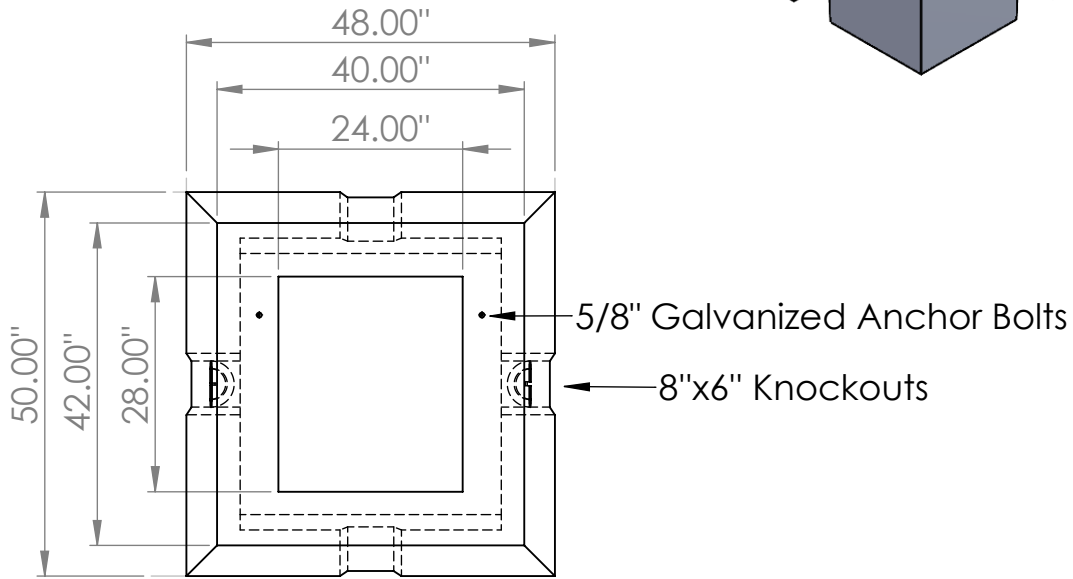
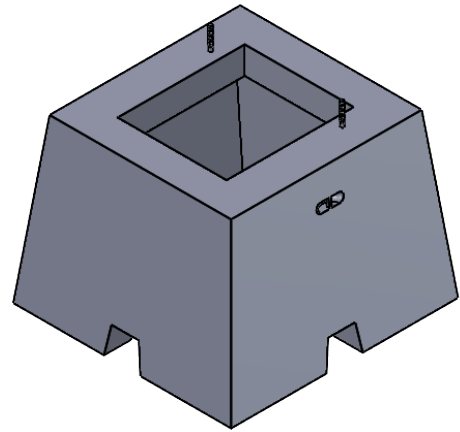
59 Shaw Road, Sanford Maine

207-324-6125

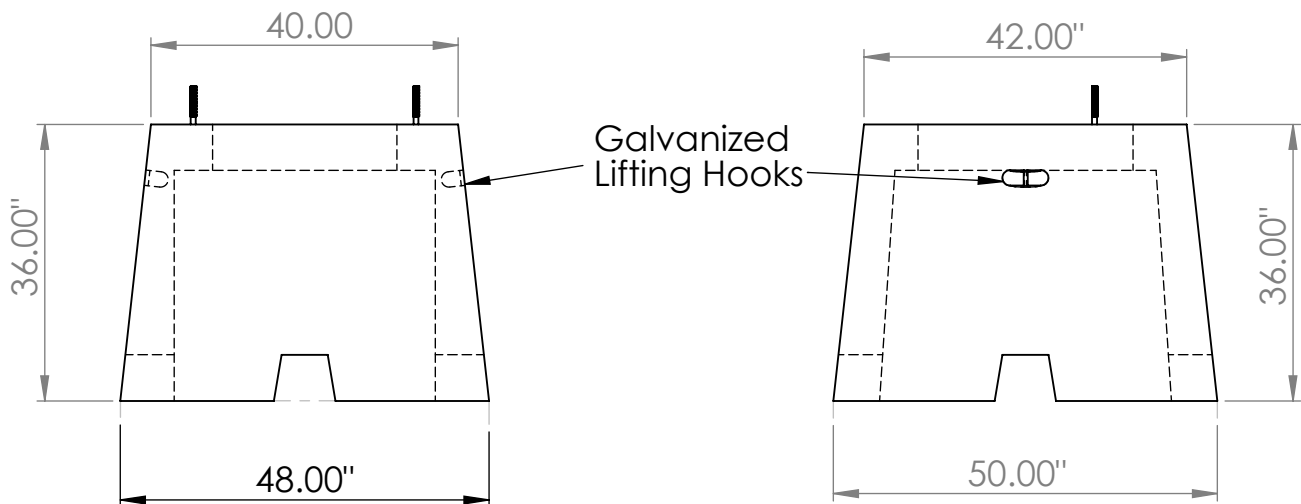
www.pepinprecast.com

CMP Single Phase Transformer Pad

2,520 LBS



Top View



Front View

Side View

Specification

1. CONCRETE 5,000 PSI AFTER 28 DAYS
2. CEMENT PORTLAND TYPE II PER ASTM C150-81
3. STEEL REINFORCEMENT PER ASTM A-615. GRADE 60
4. DESIGN LOADING PER AASHTO HS-20
5. JOINTS SEALED WITH CONSEAL CS-102 BUTYL SEALANT