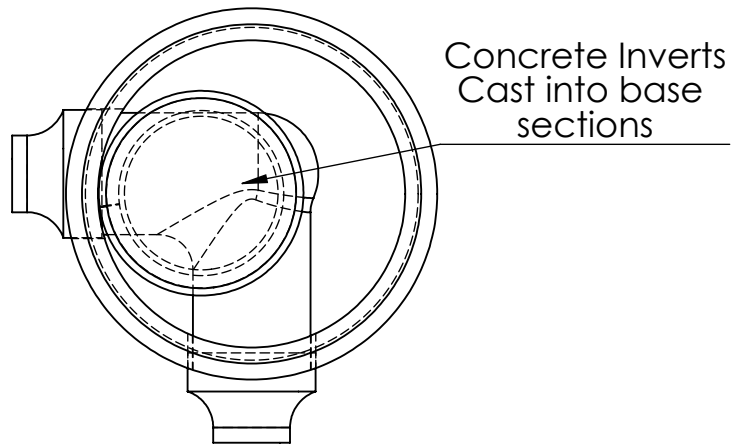
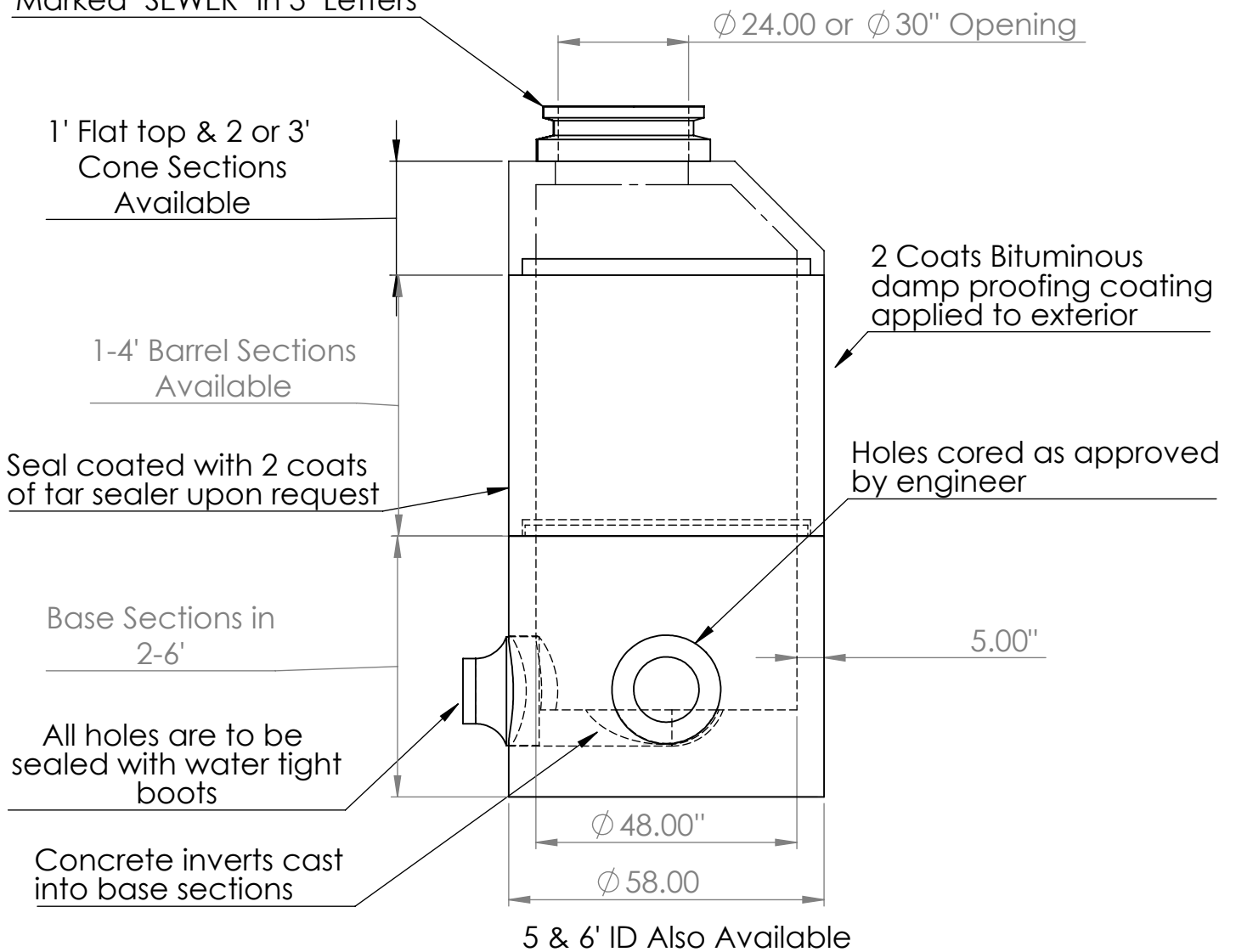


PEPIN PRECAST

59 Shaw Road, Sanford ME 04073
 Tel: (207)-324-625
 WWW.PEPINPRECAST.COM
 Sewer Manhole With Inverts



Cast Iron Frame and covers
 (Done By Others)
 Marked "SEWER" in 3" Letters



Specification

1. CONCRETE 5,000 PSI AFTER 28 DAYS
2. CEMENT PORTLAND TYPE II PER ASTM C150-81
3. STEEL REINFORCEMENT PER ASTM A-615. GRADE 60
4. DESIGN LOADING PER AASHTO HS-20
5. JOINTS SEALED WITH CONSEAL CS-102 BUTYL SEALANT