

PEPIN PRECAST

59 Shaw Road, Sanford ME 04073

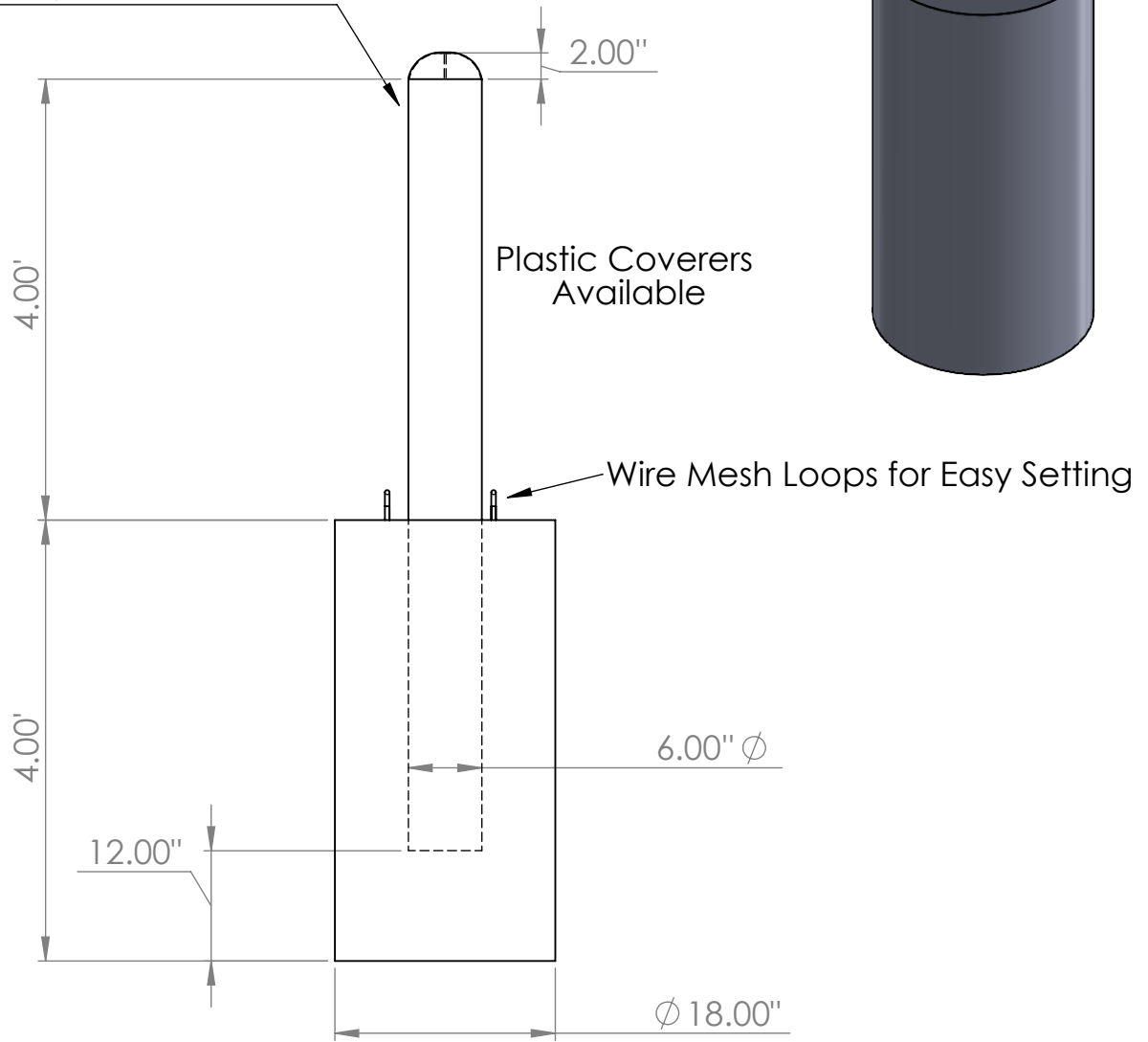
Tel:(207)-324-625

WWW.PEPINPRECAST.COM

6" Pipe Bollard

1100 LBS

6" Dia. SCH 40 Steel Pipe
filled with 4,000 PSI concrete



Specification

1. CONCRETE 5,000 PSI AFTER 28 DAYS
2. CEMENT PORTLAND TYPE III PER ASTM C150-81
3. STEEL REINFORCEMENT PER ASTM A-615. GRADE 60
4. DESIGN LOADING PER AASHTO HS-20