

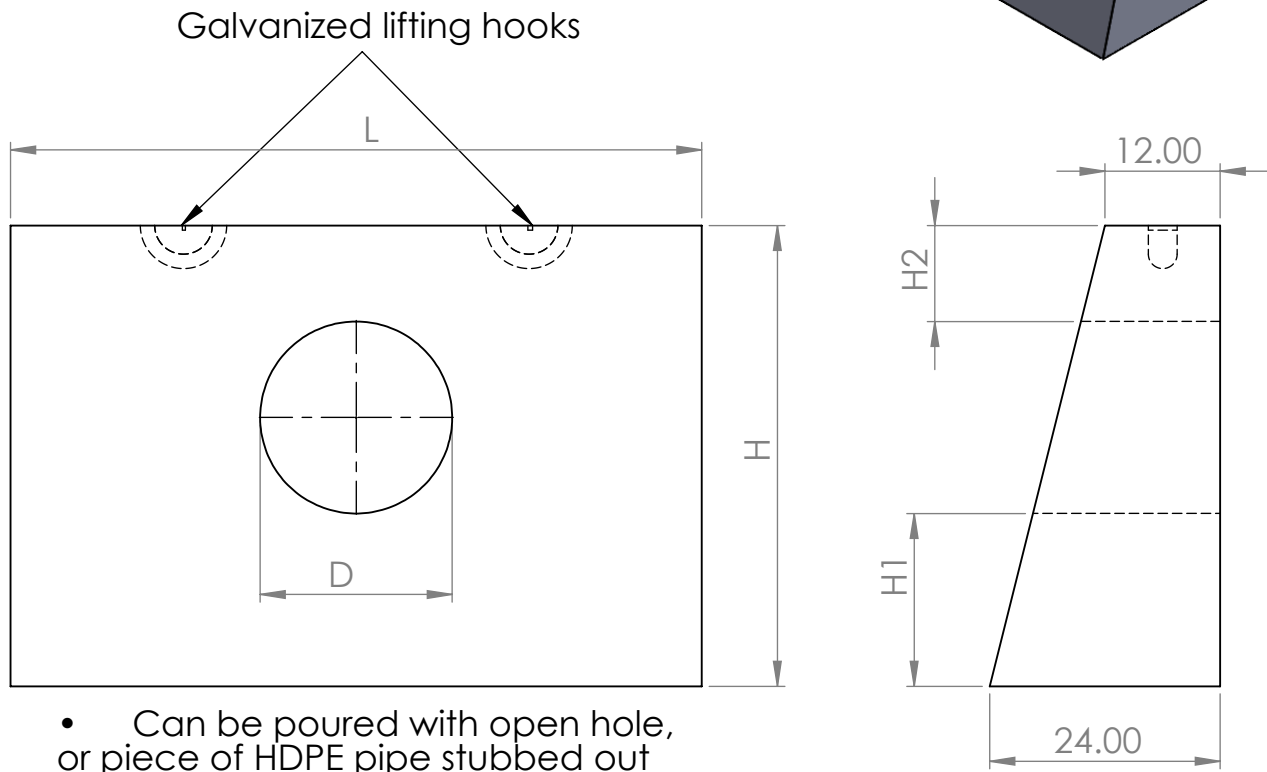
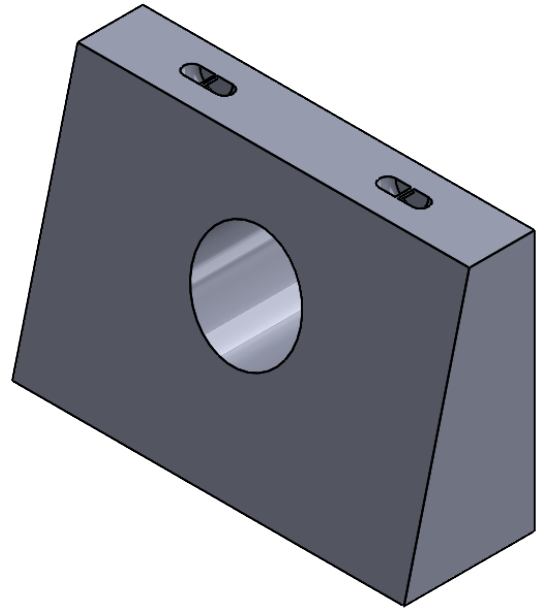
PEPIN PRECAST

59 Shaw Road, Sanford Maine

207-324-6125

www.pepinprecast.com

Straight Headwall Dimensions



Diameter Pipe	Dia. Hole Size	H	L	H1	H2	Weight (LBS)
12"	16"	4'	4'	18"	14"	3400
15"	20"	4'6"	4'6"	18"	16"	3750
18"	24"	5'	6'10"	18"	18"	5800
24"	32"	5'8"	8'10"	18"	18"	7200
36"	42"	6'6"	12'	18"	18"	15,950

Specification

1. CONCRETE 5,000 PSI AFTER 28 DAYS
2. CEMENT PORTLAND TYPE II PER ASTM C150-81
3. STEEL REINFORCEMENT PER ASTM A-615. GRADE 60
4. DESIGN LOADING PER AASHTO HS-20