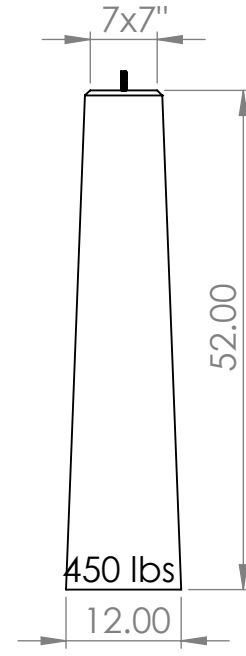
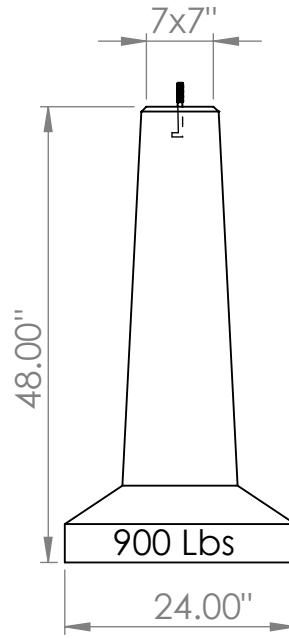
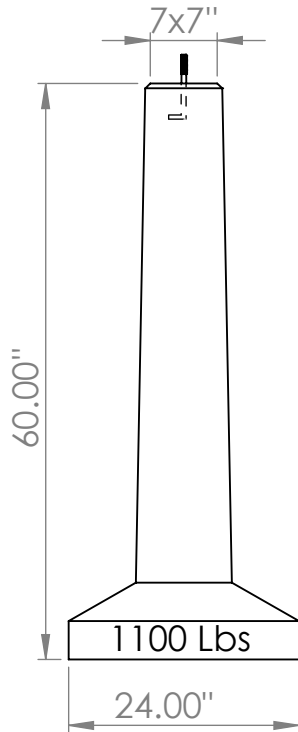
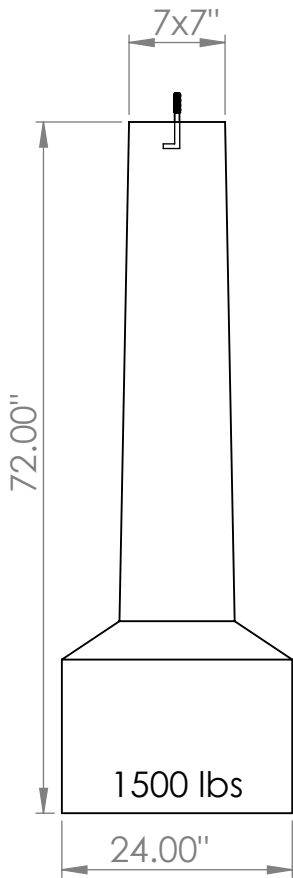
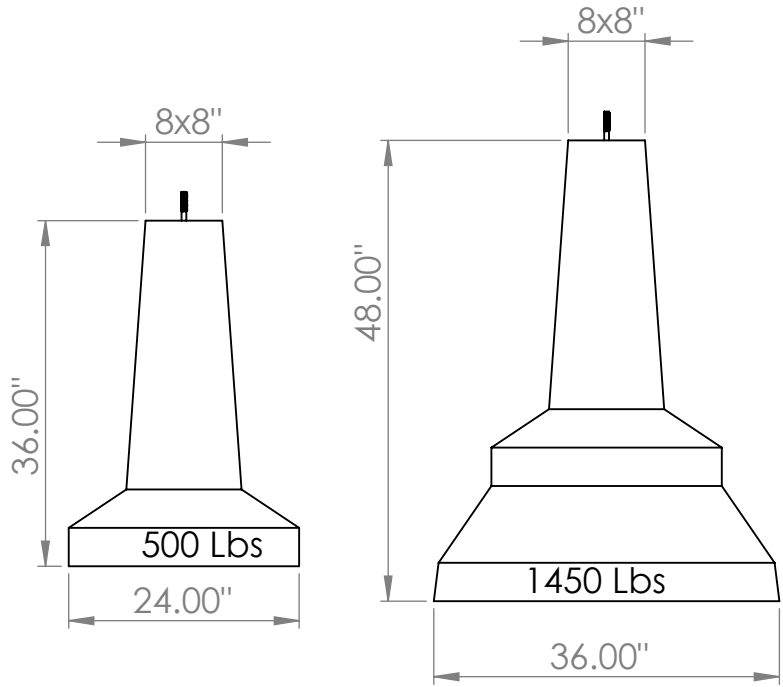


PEPIN PRECAST

59 Shaw Road, Sanford Maine
207-324-6125
www.pepinprecast.com
Frost Posts

- Chamfered top edges
- 1/2" Dia. Threaded bolt on top
- Available On pallets



Specification

1. CONCRETE 5,000 PSI AFTER 28 DAYS
2. CEMENT PORTLAND TYPE III PER ASTM C150-81
3. STEEL REINFORCEMENT PER ASTM A-615. GRADE 60
4. DESIGN LOADING PER AASHTO HS-20

