

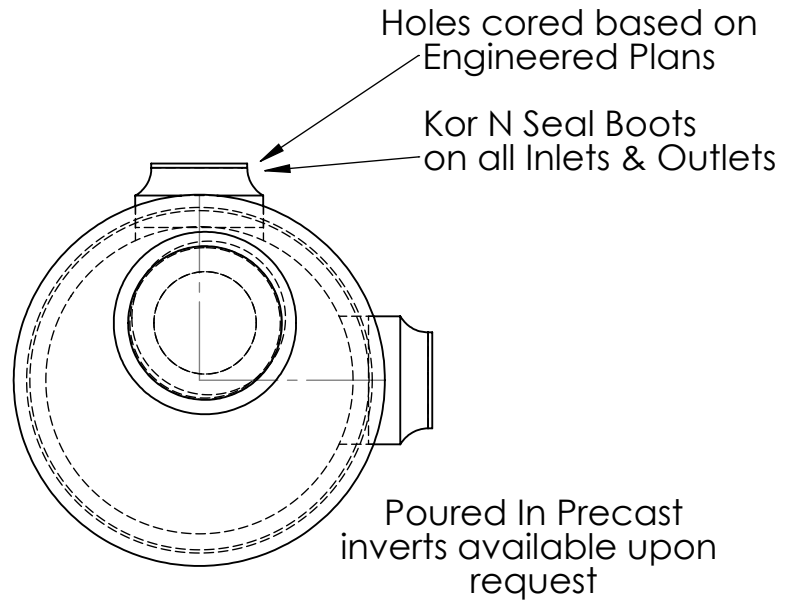
PEPIN PRECAST

59 Shaw Road, Sanford Maine

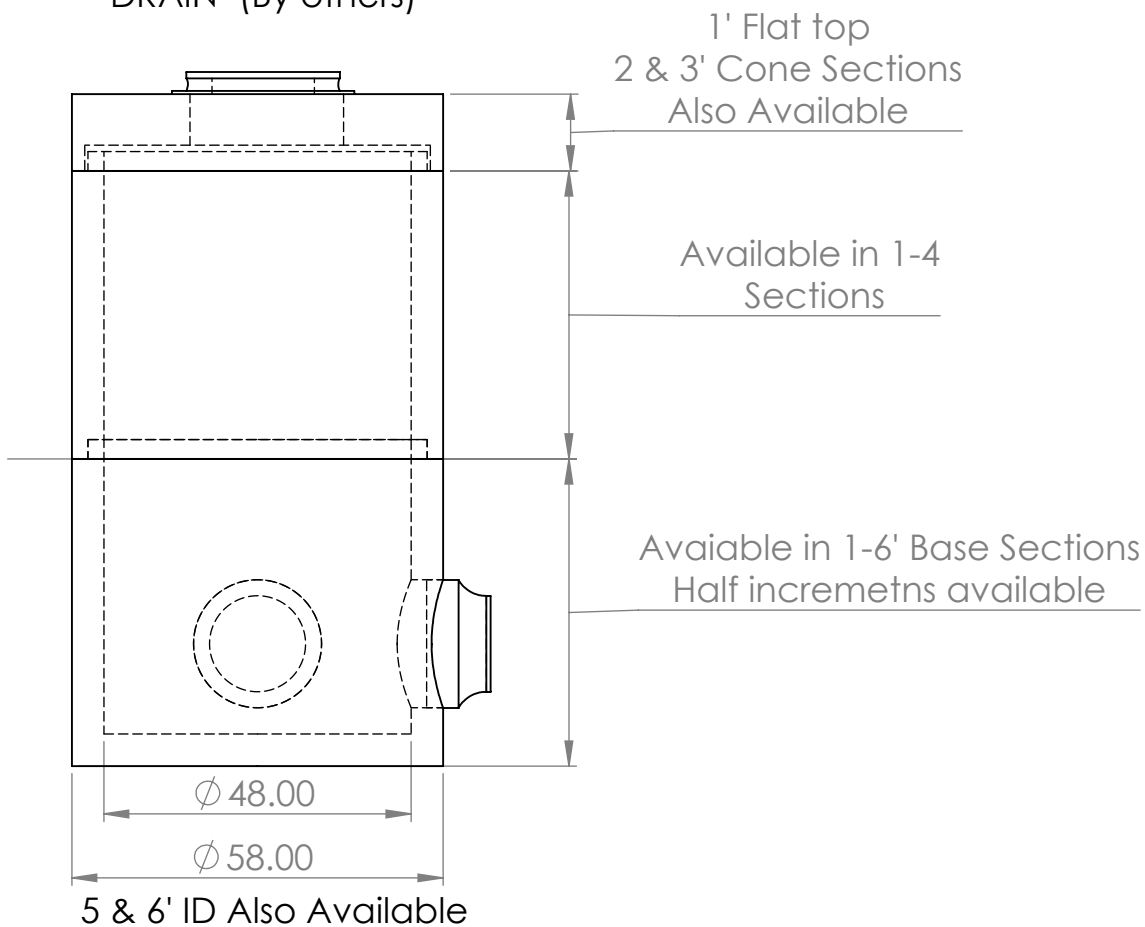
207-324-6125

www.pepinprecast.com

Drain Manhole Cut sheet



Cast Iron Frame & Cover
"DRAIN" (By others)



Specification

1. CONCRETE 5,000 PSI AFTER 28 DAYS
2. CEMENT PORTLAND TYPE II PER ASTM C150-81
3. STEEL REINFORCEMENT PER ASTM A-615. GRADE 60
4. DESIGN LOADING PER AASHTO HS-20
5. JOINTS SEALED WITH CONSEAL CS-102 BUTYL SEALANT